

aiwa

**COMPACT DISC STEREO SYSTEM
SISTEMA ESTEREO CON REPRODUCTOR DE DISCOS COMPACTOS
CHAINE STEREO AVEC LECTEUR DE DISQUES COMPACTS**

NSX-MT920

**OPERATING INSTRUCTIONS
MANUAL DE INSTRUCCIONES
MODE D'EMPLOI**

En (English)

E (Español)

F (Français)

For assistance and information



call toll free 1-800-BUY-AIWA

(United States and Puerto Rico)

U

WARNING

TO REDUCE THE RISK OF FIRE OR ELECTRIC SHOCK, DO NOT EXPOSE THIS APPLIANCE TO RAIN OR MOISTURE.

	CAUTION RISK OF ELECTRIC SHOCK DO NOT OPEN	
<p>“CAUTION: TO REDUCE THE RISK OF ELECTRIC SHOCK, DO NOT REMOVE COVER (OR BACK). NO USER-SERVICEABLE PARTS INSIDE. REFER SERVICING TO QUALIFIED SERVICE PERSONNEL.”</p>		

Explanation of Graphical Symbols:



The lightning flash with arrowhead symbol, within an equilateral triangle, is intended to alert the user to the presence of uninsulated “dangerous voltage” within the product’s enclosure that may be of sufficient magnitude to constitute a risk of electric shock to persons.



The exclamation point within an equilateral triangle is intended to alert the user to the presence of important operating and maintenance (servicing) instructions in the literature accompanying the appliance.

Owner’s record

For your convenience, record the model number and serial number (you will find them on the rear of your set) in the space provided below. Please refer to them when you contact your Aiwa dealer in case of difficulty.


Model No.	Serial No. (Lot No.)
CX-NMT920	
SX-NA902	
SX-R275	
SX-C605	

PRECAUTIONS

Read the Operating Instructions carefully and completely before operating the unit. Be sure to keep the Operating Instructions for future reference. All warnings and cautions in the Operating Instructions and on the unit should be strictly followed, as well as the safety suggestions below.

Installation

- 1 Water and moisture** — Do not use this unit near water, such as near a bathtub, washbowl, swimming pool, or the like.
- 2 Heat** — Do not use this unit near sources of heat, including heating vents, stoves, or other appliances that generate heat. It also should not be placed in temperatures less than 5°C (41°F) or greater than 35°C (95°F).
- 3 Mounting surface** — Place the unit on a flat, even surface.
- 4 Ventilation** — The unit should be situated with adequate space around it so that proper heat ventilation is assured. Allow 10 cm (4 in.) clearance from the rear and the top of the unit, and 5 cm (2 in.) from each side.
 - Do not place the unit on a bed, rug, or similar surface that may block the ventilation openings.
 - Do not install the unit in a bookcase, cabinet, or airtight rack where ventilation may be impeded.
- 5 Objects and liquid entry** — Take care that objects or liquids do not get inside the unit through the ventilation openings.
- 6 Carts and stands** — When placed or mounted on a stand or cart, the unit should be moved with care. Quick stops, excessive force, and uneven surfaces may cause the unit or cart to overturn or fall.


- 7 Condensation** — Moisture may form on the CD pickup lens when:
 - The unit is moved from a cold spot to a warm spot
 - The heating system has just been turned on
 - The unit is used in a very humid room
 - The unit is cooled by an air conditioner
 When this unit has condensation inside, it may not function normally. Should this occur, leave the unit for a few hours, then try to operate again.
- 8 Wall or ceiling mounting** — The unit should not be mounted on a wall or ceiling, unless specified in the Operating Instructions.

Electric Power

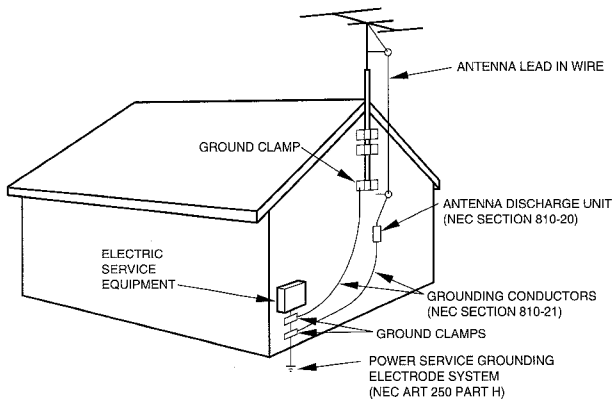
- 1 Power sources** — Connect this unit only to power sources specified in the Operating Instructions, and as marked on the unit.
- 2 Polarization** — As a safety feature, some units are equipped with polarized AC power plugs which can only be inserted one way into a power outlet. If it is difficult or impossible to insert the AC power plug into an outlet, turn the plug over and try again. If it still does not easily insert into the outlet, please call a qualified service technician to service or replace the outlet. To avoid defeating the safety feature of the polarized plug, do not force it into a power outlet.
- 3 AC power cord**
 - When disconnecting the AC power cord, pull it out by the AC power plug. Do not pull the cord itself.
 - Never handle the AC power plug with wet hands, as this could result in fire or shock.
 - Power cords should be firmly secured to avoid being severely bent, pinched, or walked upon. Pay particular attention to the cord from the unit to the power outlet.
 - Avoid overloading AC power plugs and extension cords beyond their capacity, as this could result in fire or shock.

- 4 Extension cord** — To help prevent electric shock, do not use a polarized AC power plug with an extension cord, receptacle, or other outlet unless the polarized plug can be completely inserted to prevent exposure of the blades of the plug.
- 5 When not in use** — Unplug the AC power cord from the power outlet if the unit will not be used for several months or more. When the cord is plugged in, a small amount of current continues to flow to the unit, even when the power is turned off.

Outdoor Antenna

- 1 Power lines** — When connecting an outdoor antenna, make sure it is located away from power lines.
- 2 Outdoor antenna grounding** — Be sure the antenna system is properly grounded to provide protection against unexpected voltage surges or static electricity build-up. Article 810 of the National Electrical Code, ANSI/NFPA 70, provides information on proper grounding of the mast, supporting structure, and the lead-in wire to the antenna discharge unit, as well as the size of the grounding unit, connection to grounding terminals, and requirements for grounding terminals themselves.

Antenna Grounding According to the National Electrical Code



NEC-NATIONAL ELECTRICAL CODE

Maintenance

Clean the unit only as recommended in the Operating Instructions.

Damage Requiring Service

- Have the units serviced by a qualified service technician if:
- The AC power cord or plug has been damaged
 - Foreign objects or liquid have gotten inside the unit
 - The unit has been exposed to rain or water
 - The unit does not seem to operate normally
 - The unit exhibits a marked change in performance
 - The unit has been dropped, or the cabinet has been damaged
- DO NOT ATTEMPT TO SERVICE THE UNIT YOURSELF.**

TABLE OF CONTENTS

PRECAUTIONS 1

PREPARATIONS

SETTING UP 3

REMOTE CONTROL 5

BEFORE OPERATION 6

SOUND

AUDIO ADJUSTMENTS 7

RHYTHM PLAY FUNCTION (BEAT MASTER) 7

GRAPHIC EQUALIZER 8

DSP SURROUND 10

RADIO RECEPTION

MANUAL TUNING 11

PRESETTING STATIONS 12

TAPE PLAYBACK

BASIC OPERATIONS 13

CONTINUOUS PLAY 14

CD PLAYING

BASIC OPERATIONS 15

PROGRAMMED PLAY 16

RECORDING

BASIC RECORDING 17

DUBBING A TAPE MANUALLY 18

DUBBING THE WHOLE TAPE 18

AI EDIT RECORDING 19

PROGRAMMED EDIT RECORDING 20

DOLBY PRO LOGIC

ADJUSTING SPEAKER LEVEL BALANCE 21

PLAY WITH DOLBY PRO LOGIC 22

KARAOKE

MICROPHONE MIXING 23

KARAOKE PROGRAM 24

CLOCK AND TIMER

SETTING THE CLOCK 25

SETTING THE SLEEP TIMER 25

SETTING THE TIMER 26

OTHER CONNECTIONS

CONNECTING OPTIONAL EQUIPMENT 27

LISTENING TO EXTERNAL SOURCES 27

CONNECTING A DVD PLAYER 28

GENERAL

CARE AND MAINTENANCE 29

TROUBLESHOOTING GUIDE 29

SPECIFICATIONS 30

PARTS INDEX *Back cover*

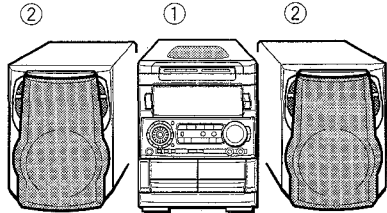
En

SETTING UP

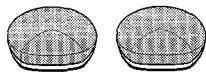
The DOLBY PRO LOGIC system which is the biggest feature of this stereo system provides you with multi channel sound in your home.

Complete setting and connection of the main unit, supplied speakers, your TV and video equipment according to the following procedure.

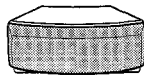
Check your system and accessories



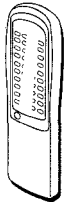
- ① CX-NMT920 Compact disc stereo cassette receiver
- ② SX-NA902 Front speakers



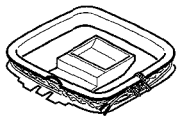
SX-R275 Surround speakers



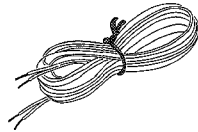
SX-C605 Center speaker



Remote control



AM antenna

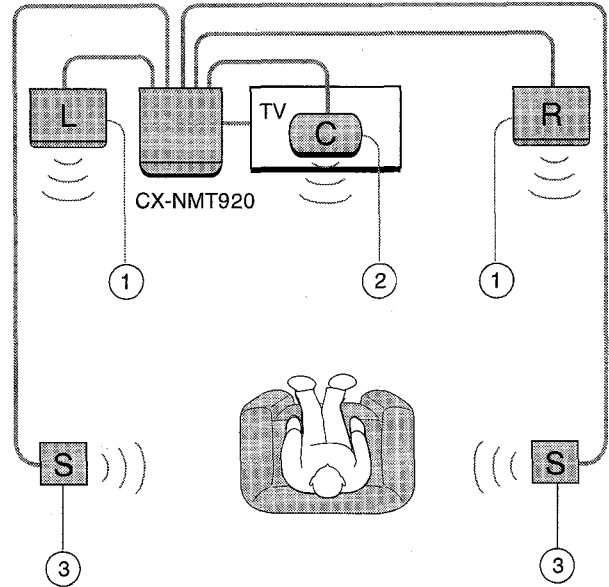


FM antenna

Operating Instructions, etc.

POSITIONING THE SPEAKERS

To achieve the optimum effects obtainable with the DOLBY PRO LOGIC system, it is important to position the speakers properly. Refer to the following illustration to find out the best location in your room.



- ① **Front speakers**
- ② **Center speaker**
Position in the center of the two front speakers. In addition, position on or below the TV set, if connecting a TV set to the unit.
- ③ **Surround speakers**
Place the surround speakers directly to the side of or slightly behind the listening area. Align them horizontally, about 1 meter (3.2 feet) above ear height.

NOTE

- No sound is heard from the center and surround speakers when the DOLBY PRO LOGIC, the SURROUND system and the 5.1 CH (page 28) are set to off.
- The center speaker sounds when the DOLBY PRO LOGIC or the 5.1 CH (page 28) is set to on.

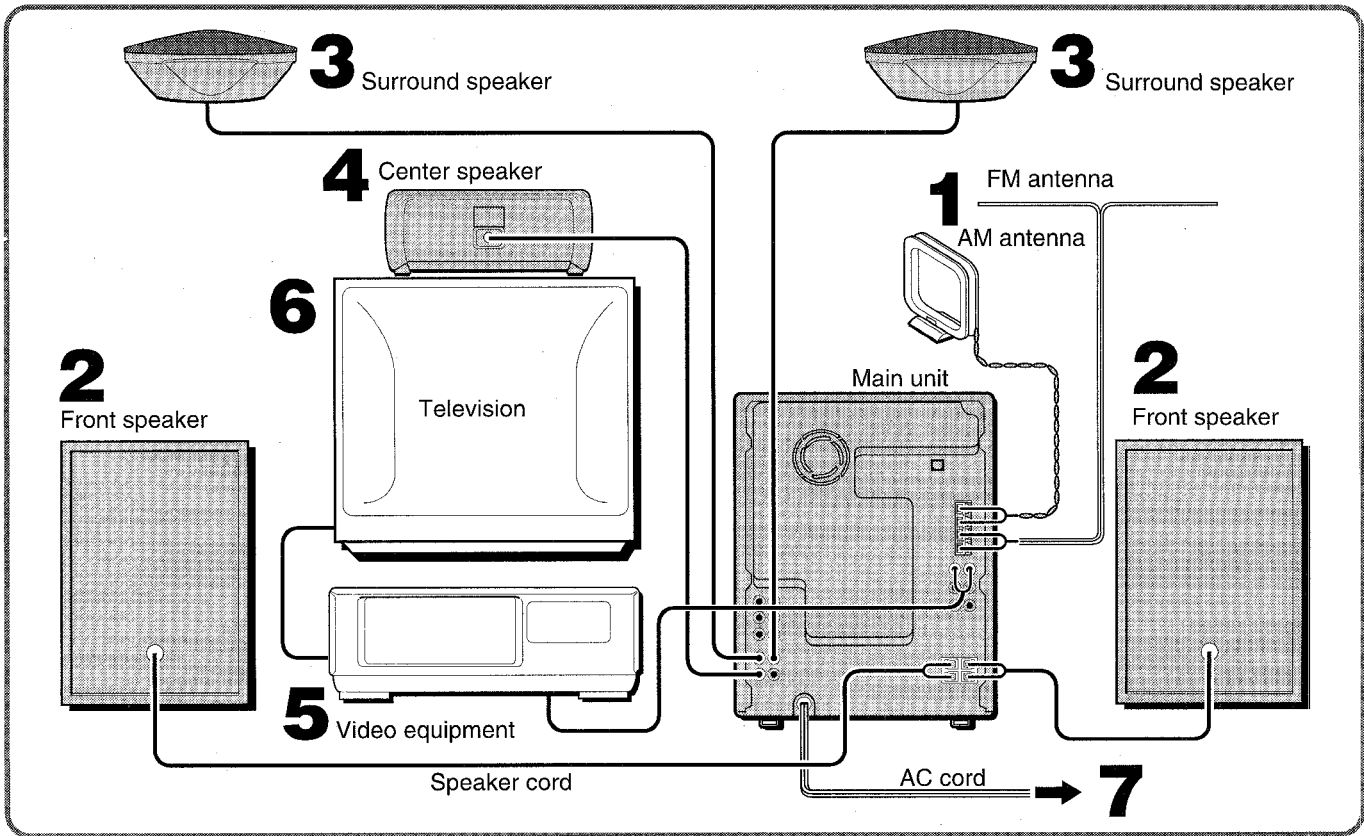
CONNECTIONS

Before connecting the AC cord

The rated voltage of your unit shown on the rear panel is 120 V AC. Check that the rated voltage matches your local voltage.

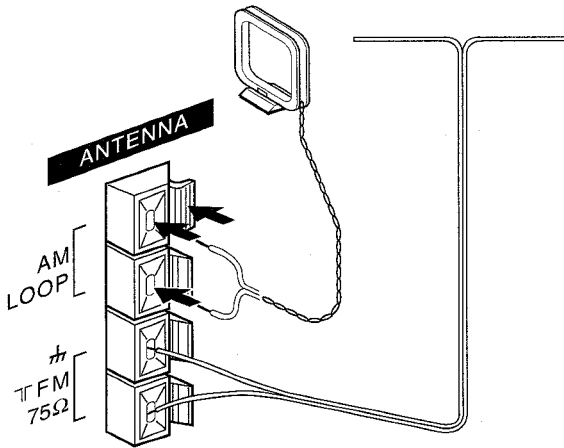
IMPORTANT

Connect the speakers, antennas, and all optional equipment first. Then connect the AC cord in the end.



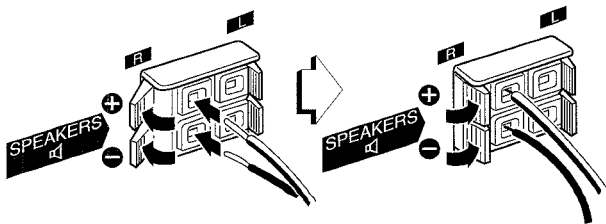
1 Connect the supplied antennas.

Connect the FM antenna to **FM 75 Ω** terminals and the AM antenna to **AM LOOP** terminal.



2 Connect the front speakers.

The speaker placed on the right side of the unit facing you is "the right speaker" and another one is "the left speaker".

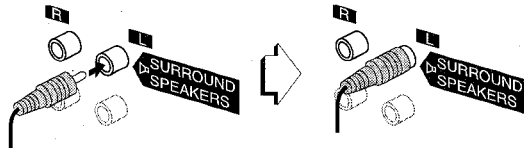


The cords with white stripes should be connected to **+** terminals and the other cords to **-** terminals.

3 Connect the surround speakers.

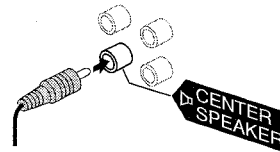
Connect the surround speaker cords to **SURROUND SPEAKERS** terminals.

There is no difference between the surround speakers. Both speakers can be connected as R (right) or L (left).



4 Connect the center speaker.

Connect the center speaker cord to **CENTER SPEAKER** terminal.



5 Connect the video equipment.

Connect **VIDEO/AUX** jack of this unit to the audio output jack of the video equipment with an optional audio connecting cord.

6 Connect the Television to the video equipment.

Refer to the Operating Instructions of the connected equipment for details.

7 Connect the AC cord to an AC outlet.

En

To position the antennas

FM feeder antenna:

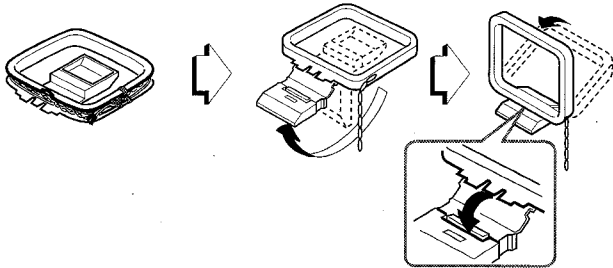
Extend this antenna horizontally in a T-shape and fix its ends to the wall.

AM antenna:

Position to find the best possible reception.

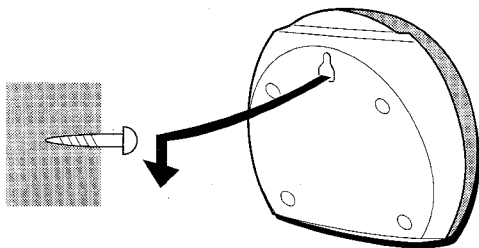
To stand the AM antenna on a surface

Fix the claw to the slot.



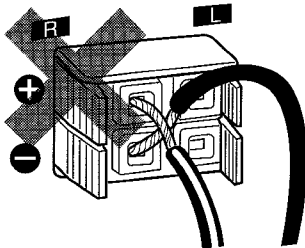
To mount the surround speakers on the wall

Mount each speaker on a spot that can hold its weight.



NOTE

- Be sure to connect the speaker cords correctly. Improper connections can cause short circuits in **SPEAKERS** terminals.

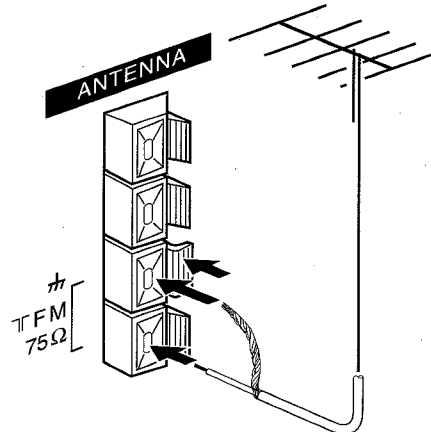


- Do not leave objects generating magnetism, such as credit cards, near the speakers, as these objects may be damaged.
- Do not bring the FM antenna near metal objects or curtain rails.
- Do not bring the AM antenna near other optional equipment, the stereo system itself, the AC cord or speaker cords, since noise will be picked up.
- Do not unwind the AM antenna wire.

CONNECTING AN OUTDOOR ANTENNA

For better FM reception, use of an outdoor antenna is recommended.

Connect the outdoor antenna to **FM 75 Ω** terminals.

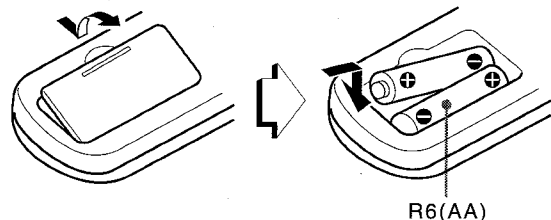


To connect other optional equipment → page 27 and 28.

REMOTE CONTROL

Inserting batteries

Detach the battery cover on the rear of the remote control and insert two R6 (size AA) batteries.



When to replace the batteries

The maximum operational distance between the remote control and the sensor on the main unit should be approximately 5 meters (16 feet). When this distance decreases, replace the batteries with new ones.

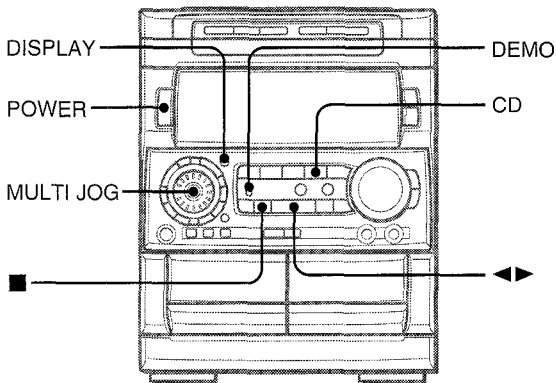
Using the remote control

The instructions in this manual refer mainly to the buttons on the main unit. Buttons on the remote control with the same names as those on the main unit can be used as well.

NOTE

- If the remote control is not going to be used for an extended period of time, remove the batteries to prevent possible electrolyte leakage.
- The remote control may not operate correctly when:
 - The line of sight between the remote control and the remote sensor inside the display window is exposed to intense light, such as direct sunlight
 - Other remote controls are used nearby (those of a television, etc.)

BEFORE OPERATION



To turn the power on

Press one of the function buttons (**TAPE**, **TUNER**, **VIDEO/AUX**, **CD**, **MD**). Playback of the inserted disc or tape begins, or the previously tuned station is received (Direct Play Function).

POWER is also available.

When the unit is turned on, the disc compartment may open and close to reset the unit.

To turn the power off

Press **POWER**.

Flash windows

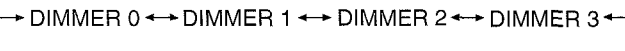
The windows on the top of the unit and the cassette decks light up or flash while the unit is being powered on.

To turn off the light of the top window, press ■ while pressing **CD**. To turn back on, repeat the above.

The light of the cassette decks cannot be turned off.

To dim the illumination of the display

- 1 Press **DISPLAY** twice so that "DIMMER" is displayed.
- 2 Within 4 seconds, turn **MULTI JOG** to select the dimmer mode as follows.



DIMMER 0: The normal display.

DIMMER 1: The illumination of the display is dimmer than usual.

DIMMER 2: The illumination of the display is dimmer than DIMMER 1.

DIMMER 3: The illumination of the display is dimmer than DIMMER 2, and the spectrum analyzer and the illumination on the buttons light off.

To change the spectrum analyzer display

3 patterns of spectrum analyzer display can be shown.

Press **DISPLAY** once, and turn **MULTI JOG** within 4 seconds to select the desired spectrum analyzer display.

Game Demo

When the AC cord is connected, the display window demonstrates the game Demo. When the power is turned on, the game Demo is overridden by the operation display. When the power is turned off, the game Demo is restored.

To cancel the game Demo

Press **DEMO**. To re-activate the game Demo, press **DEMO** again.

To play the game Demo

- 1 Press **DEMO** so that the game Demo displays.
 - 2 Press ◀▶.
Three numbers on the display start to run.
 - 3 Press ■ once.
The number on the left side stops.
 - 4 Press ■ twice to stop the remaining two numbers.
- You can enjoy the game Demo with game sound by pressing **DEMO** while the power is on.

Scoring:

20 points are given to start the game.

If all the numbers are equal, 50 points are added to the score.

If not equal, one point is subtracted.

If the gained points reach 9999, you win.

If the gained points fall to 0, you lose.

To reset the game Demo

Press **DEMO** twice, then press ◀▶. The game starts again.

To mute the game sound

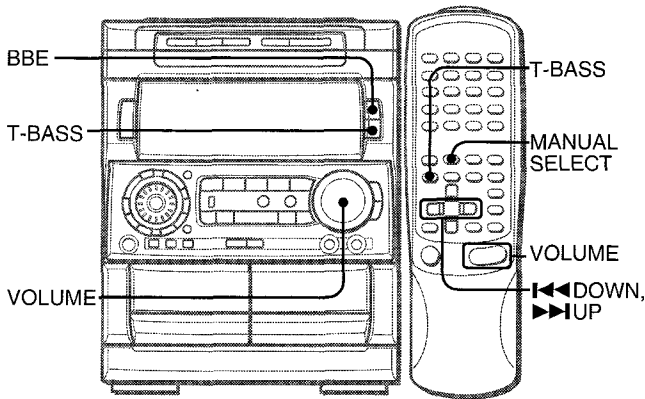
Once, cancel the game Demo by pressing **DEMO**. Then, keep pressing **DEMO** until "OFF" is displayed.

To restore the game sound, keep pressing **DEMO** again until "ON" is displayed.

NOTE

- During playing the game Demo, ■ and ◀▶ are available only for the game Demo. Cancel the game Demo to use these buttons for the functions such as CD playing, etc.
- To change the game sound, see "RHYTHM PLAY FUNCTION" on page 7.
- During the game Demo, some indicators unrelated with the actual operation light up on the display.

AUDIO ADJUSTMENTS



VOLUME

Turn **VOLUME** on the main unit, or press **VOLUME** on the remote control.

The volume level is displayed as a number from 0 to MAX (50). The volume level is automatically set to 20 when the power is turned off with the volume level set to 21 or more.

To change the left/right balance

Press **MANUAL SELECT** on the remote control. L/R is displayed for 2 seconds. Press **LEFT DOWN** or **RIGHT UP** on the remote control within these 2 seconds.

- The DOLBY PRO LOGIC (page 21) and the DOLBY DIGITAL SURROUND (page 28) front speakers level is also changed.

BBE SYSTEM

The BBE system enhances the clarity of high-frequency sound. It also enriches the Karaoke function to make your voice sound clear and pleasant.

Press BBE.

Each time it is pressed, the level changes. Select one of the three levels, or the off position to suit your preference.



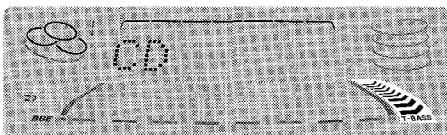
- The BBE system does not perform while the 5.1 CH (page 28) is selected.

SUPER T-BASS SYSTEM

The T-BASS system enhances the realism of low-frequency sound.

Press T-BASS.

Each time it is pressed, the level changes. Select one of the three levels, or the off position to suit your preference.

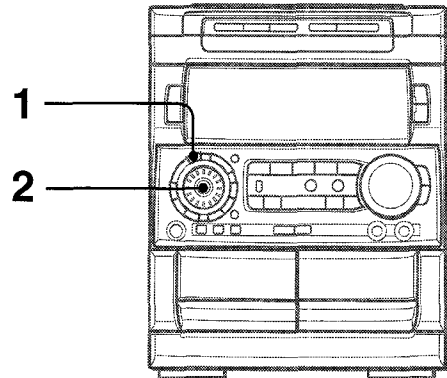


NOTE

Low frequency sound may be distorted when the T-BASS system is used for a disc or tape in which low frequency sound is originally emphasized. In this case, cancel the T-BASS system.

RHYTHM PLAY FUNCTION (BEAT MASTER)

You can enjoy music of CDs, tapes or etc. mixed with rhythm patterns programmed in the unit.



TO SELECT A RHYTHM PATTERN

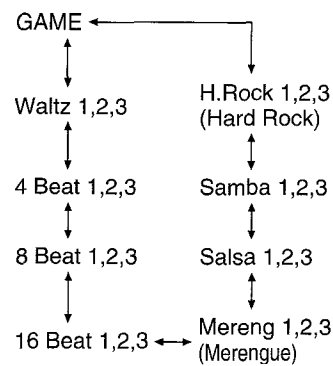
1 Press RHYTHM.

One of the rhythm patterns is displayed.



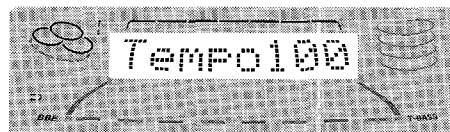
2 Turn MULTI JOG to select the desired rhythm pattern.

The rhythm pattern is displayed cyclically as follows.

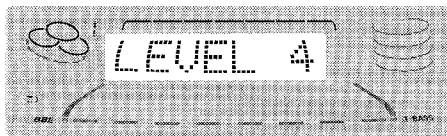


To change the tempo of the selected rhythm pattern

Press **RHYTHM** once while the selected rhythm pattern is displayed, then turn **MULTI JOG** to select the rhythm tempo. The rhythm tempo can be changed from 90 to 160.



To change the volume level of the selected rhythm pattern
 Press **RHYTHM** *twice* while the selected rhythm pattern is displayed, then turn **MULTI JOG** to select the volume level.
 The volume level can be changed from 1 to 4.



To cancel the rhythm play function

Press **MULTI JOG**.

To restart the rhythm play function

Press **MULTI JOG** again. The rhythm pattern selected last time starts.

NOTE

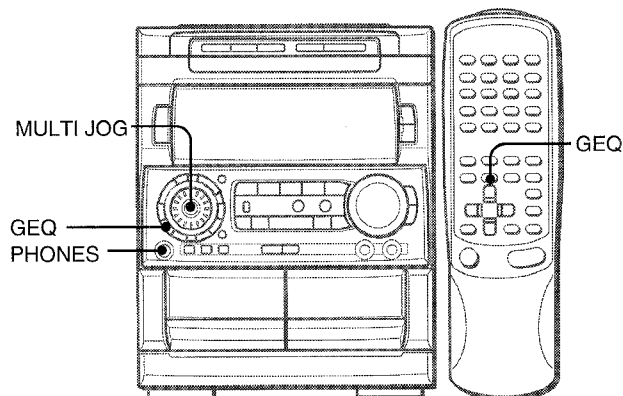
- When the **GAME** pattern is selected, the rhythm tempo and the rhythm volume level cannot be changed.
- The signal output from **LINE OUT** jack is affected with the rhythm play function.

GRAPHIC EQUALIZER

SELECTING THE PROGRAMMED EQUALIZATION CURVE

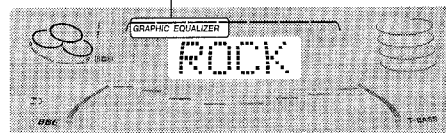
This unit provides the following 5 different programmed equalization curves.

- ROCK:** Powerful sound emphasizing treble and bass
- POP:** More presence in the vocals and midrange
- JAZZ:** Accented lower frequencies for jazz-type music
- CLASSIC:** Enriched sound with heavy bass and fine treble.
- LATIN:** Accented higher frequencies for latin music.

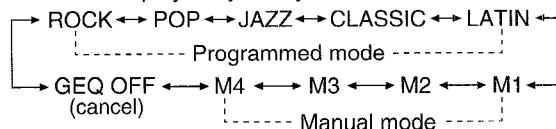


Press **GEQ**, and turn **MULTI JOG** to select one of the programmed equalization curve within 4 seconds.

"GRAPHIC EQUALIZER" lights up



"GRAPHIC EQUALIZER" appears (except "GEQ OFF") and the GEQ mode is displayed cyclically as follows.



To display the current GEQ mode

Press **GEQ**. The current mode is displayed for 4 seconds.

To cancel the selected mode

Press **GEQ**, and turn **MULTI JOG** to select "GEQ OFF" within 4 seconds. "GRAPHIC EQUALIZER" disappears.

Using the headphones

Connect headphones to the **PHONES** jack with a standard stereo plug (ø6.3 mm, 1/4 inch).

No sound is output from the speakers while the headphones are plugged in.

- When the headphones are plugged in, the **SURROUND** system, the **DOLBY PRO LOGIC** and the **5.1 CH** (page 28) do not function.

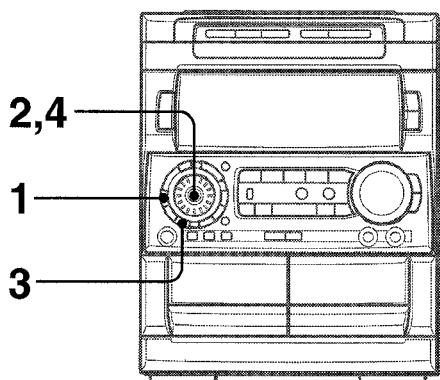
Sound adjustment during recording

The output volume and tone (except **BBE** and **Rhythm play** function) of the speakers or headphones may be freely varied without affecting the recording.

These voice wave data incorporated in this product are Yamaha Corporation's copyrightable property and we are licensed by Yamaha Corporation.

En

SETTING A NEW EQUALIZATION CURVE MANUALLY

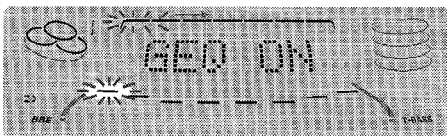


The equalization curve can be customized to suit your preference.

1 Press GEQ LOW.

The lowest level frequency indicator flashes for 4 seconds.

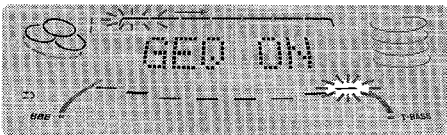
2 Within 4 seconds, turn MULTI JOG to adjust the level of the lowest frequency.



3 Press GEQ HIGH.

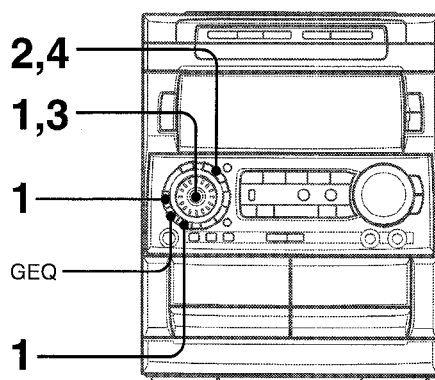
The highest level frequency indicator flashes for 4 seconds.

4 Within 4 seconds, turn MULTI JOG to adjust the level of the highest frequency.



The frequency level indicators between the lowest and the highest are adjusted accordingly.

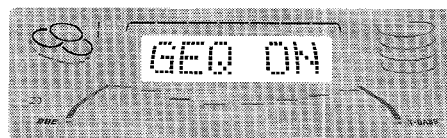
MEMORIZING THE NEW EQUALIZATION CURVES



Up to 4 customized equalization curves can be stored as the manual modes M1 - M4.

1 Set a new equalization curve with HIGH, LOW, and MULTI JOG.

See "SETTING A NEW EQUALIZATION CURVE MANUALLY". The created curve is displayed for 4 seconds.



2 Within 4 seconds, press ENTER.

"M 1" flashes on the display for 4 seconds.



- If this step is not completed within 4 seconds, press **GEQ** first to display "GEQ ON". Then press **ENTER** within 4 seconds.

3 Within 4 seconds, turn MULTI JOG to select one of the manual modes M1 - M4 to store the curve.

4 Within 4 seconds, press ENTER.

The new equalization curve is stored.

To select the stored equalization curve

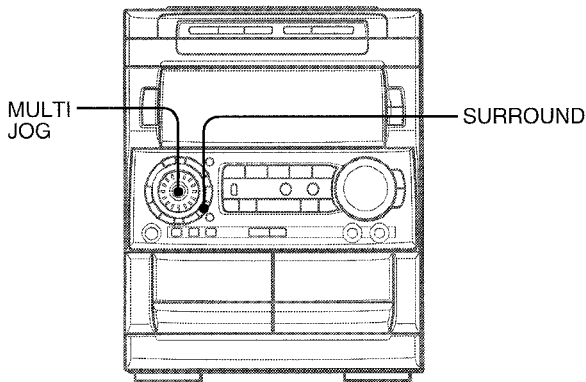
Press **GEQ**, and turn **MULTI JOG** to select one of the manual modes M1 - M4 within 4 seconds.

DSP SURROUND

The DSP (Digital Signal Processor) SURROUND adjusts the delay time, the input mode and the feedback level to give a resonant surround sound, allowing you to enjoy the real sound presence of different environments.

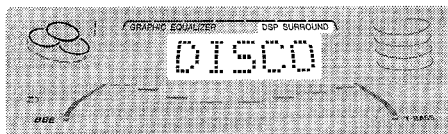
This unit has been programmed with 4 different SURROUND modes. You can also create and memorize up to 4 of your own surround settings.

SELECTING A PROGRAMMED DSP SURROUND MODE

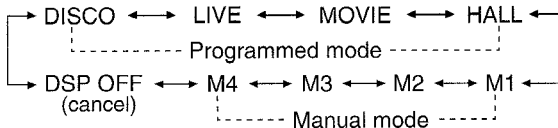


When you select the programmed DSP SURROUND mode, the sound presence of a disco (DISCO), live music performance (LIVE), movie theater (MOVIE) or concert hall (HALL) can be obtained.

Press SURROUND, and turn MULTI JOG to select the desired Programmed mode within 4 seconds.



"DSP SURROUND" appears and the DSP SURROUND mode is displayed cyclically as follows.



Equalization curves are selected automatically to match the DSP SURROUND modes and can also be selected or turned off to suit your preference.

To display the current DSP SURROUND mode

Press **SURROUND**. The current mode is displayed for 4 seconds.

To cancel the selected mode

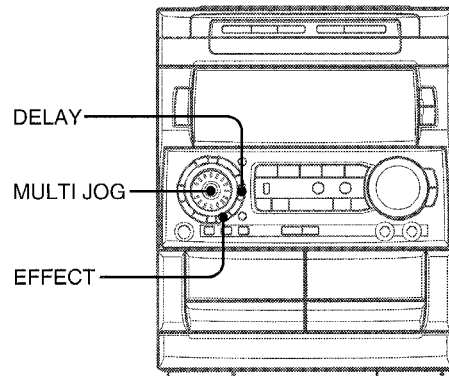
Press **SURROUND**, and turn **MULTI JOG** to select "DSP OFF" within 4 seconds. "DSP SURROUND" disappears.

When the music source is monaural

Select "LIVE" or "MOVIE" to obtain a simulated stereo effect. When "DISCO" or "HALL" is selected, no sound will be heard from the surround speakers.

SETTING A NEW DSP SURROUND SOUND MANUALLY

The elements of the DSP SURROUND sound can be customized.

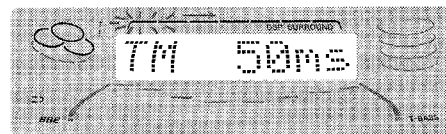


DELAY (delay time)

Increasing the number in the display increases the delay time and surround effect. "15", "20", "30" or "50" mSec can be selected.

To adjust the delay time

Press **DELAY**, and turn **MULTI JOG** to select one of the levels within 4 seconds.



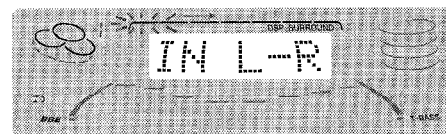
L-R, L+R (input mode)

When "L+R" is displayed, the surround effect increases, especially in the center.

When "L-R" is displayed, it increases on the outside.

To select a input mode

Press **EFFECT** once, and turn **MULTI JOG** to select "L-R" or "L+R" within 4 seconds.

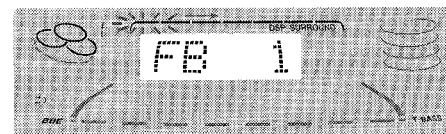


FB (feedback level)

Increasing the number in the display increases the echo. A level from "OFF" (0) to "7" can be selected.

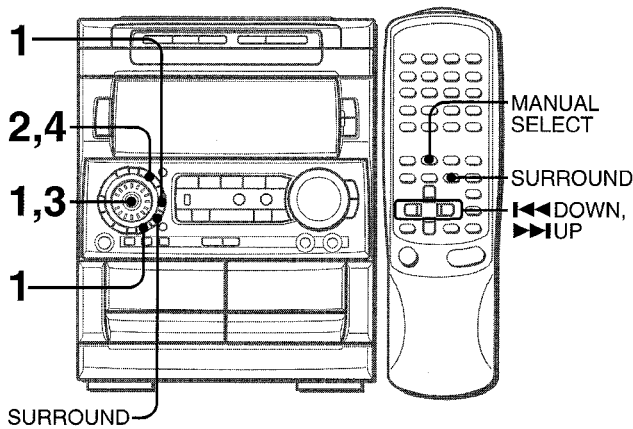
To adjust the level of feedback

Press **EFFECT** twice, and turn **MULTI JOG** to select one of the levels within 4 seconds.



MEMORIZING THE NEW DSP SURROUND SOUND

Up to 4 DSP SURROUND sound can be memorized as the manual modes M1 - M4.



1 Set a new DSP SURROUND sound with DELAY, EFFECT, and MULTI JOG.

See "SETTING A NEW DSP SURROUND SOUND MANUALLY".

2 Within 4 seconds, press ENTER.

"M1" flashes on the display.



- If this step is not completed within 4 seconds, press **SURROUND** first to display "DSP ON". Then press **ENTER** within 4 seconds.

3 Within 4 seconds, turn MULTI JOG to select one of the manual modes M1 - M4.

4 Within 4 seconds, press ENTER.

The new DSP SURROUND sound is memorized.

To select the stored DSP SURROUND sound

Press **SURROUND**, and turn **MULTI JOG** to select one of the manual modes M1 - M4 within 4 seconds.

To adjust the volume of the surround speakers

Press **MANUAL SELECT** twice or three times on the remote control.

"S-L" or "S-R" is displayed for 2 seconds. Press **DOWN** or **UP** on the remote control within these 2 seconds.

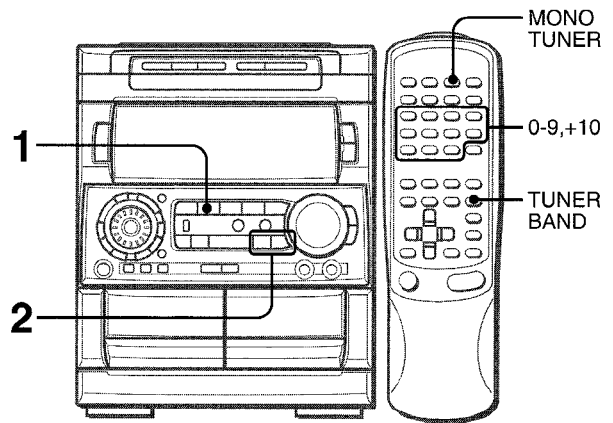
- The DOLBY PRO LOGIC (page 21) and the DOLBY DIGITAL SURROUND (page 28) surround speakers level is also changed.

NOTE

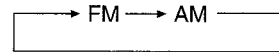
The SURROUND mode is canceled when:

- the ECHO level is changed.
- the DOLBY PRO LOGIC is turned on.
- the headphones are plugged in.
- the 5.1 CH (page 28) is selected.

MANUAL TUNING



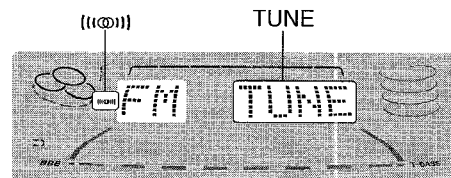
1 Press TUNER/BAND repeatedly to select the desired band.



When **TUNER/BAND** is pressed while the power is off, the power is turned on directly.

2 Press DOWN or UP to select a station.

Each time the button is pressed, the frequency changes. When a station is received, "TUNE" is displayed for 2 seconds. During FM stereo reception, ((Ⓜ)) is displayed.



To search for a station quickly (Auto Search)

Keep **DOWN** or **UP** pressed until the frequency starts to change rapidly. After tuning in to a station, the search stops. To stop the Auto Search manually, press **DOWN** or **UP**.

- The Auto Search may not stop at stations with very weak signals.

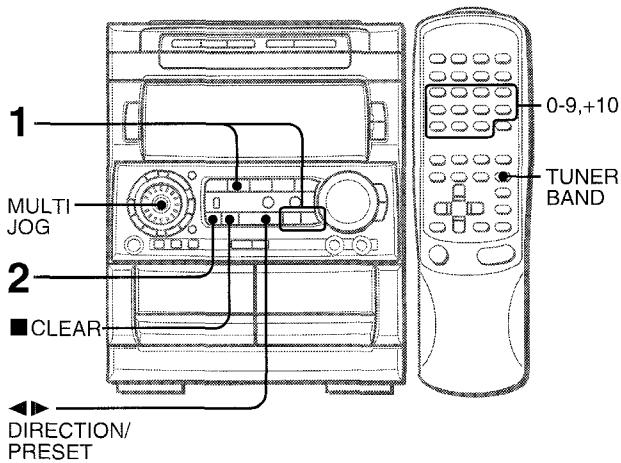
When an FM TUNER stereo broadcast contains noise

Press **MONO TUNER** on the remote control so that "MONO" appears on the display.

Noise is reduced, although reception is monaural.

To restore stereo reception, press **MONO** so that "MONO" disappears.

PRESETTING STATIONS

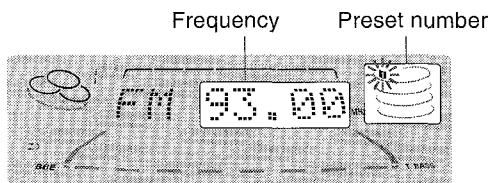


The unit can store a total of 32 preset stations. When a station is stored, a preset number is assigned to the station. Use the preset number to tune in to a preset station directly.

1 Press TUNER BAND to select a band, and press ◀◀ DOWN or ▶▶ UP to select a station.

2 Press ■ SET to store the station.

A preset number beginning from 1 in consecutive order for each band is assigned to the station.



3 Repeat steps 1 and 2.

The next station will not be stored if a total of 32 preset stations for all the bands have already been stored.

PRESET NUMBER TUNING

Use the remote control to select the preset number directly.

1 Press BAND to select a band.

2 Press numbered buttons 0-9 and +10 to select a preset number.

Example:

To select preset number 20, press +10, +10 and 0.

To select preset number 15, press +10 and 5.

Selecting a preset number on the main unit

Press **TUNER BAND** to select a band. Then, press ◀◀ **DIRECTION/PRESET** repeatedly or turn **MULTI JOG**.

Each time ◀▶ **DIRECTION/PRESET** is pressed, the next ascending number is selected.

To clear a preset station

Select the preset number of the station to be cleared. Then, press ■ **CLEAR**, and press ■■ **SET** within 4 seconds.

The preset numbers of all other stations in the band with higher numbers are also decreased by one.

To change the AM tuning interval

The default setting of the AM tuning interval is 10 kHz/step. If you use this unit in an area where the frequency allocation system is 9 kHz/step, change the tuning interval.

Press **POWER** while pressing **TUNER BAND**.

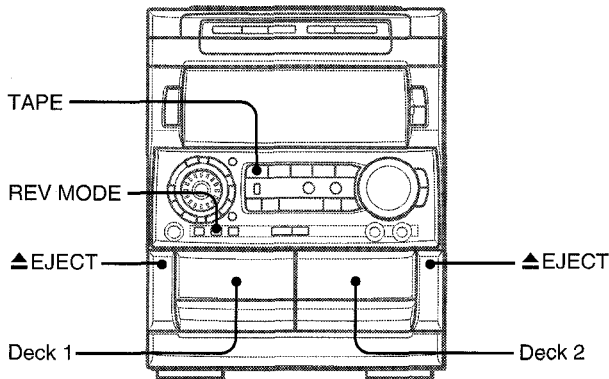
To reset the interval, repeat this procedure.

NOTE

When the AM tuning interval is changed, all preset stations are cleared. The preset stations have to be set again.

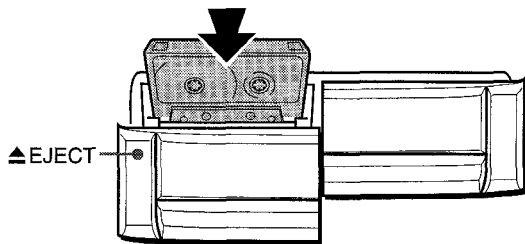
BASIC OPERATIONS

INSERTING TAPES



- On deck 1, tapes are always played back on both sides. On deck 2, you can select a reverse mode to play back one or both sides.
- Use Type I (normal), Type II (high/CrO₂) or Type IV (metal) tapes for playback.

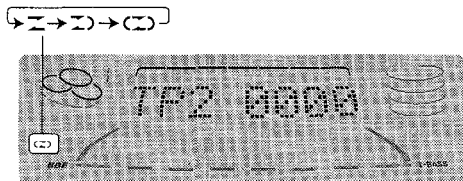
Press TAPE and press ▲ EJECT to open the cassette holder.



Insert a tape with the exposed side down. Push the cassette holder to close.

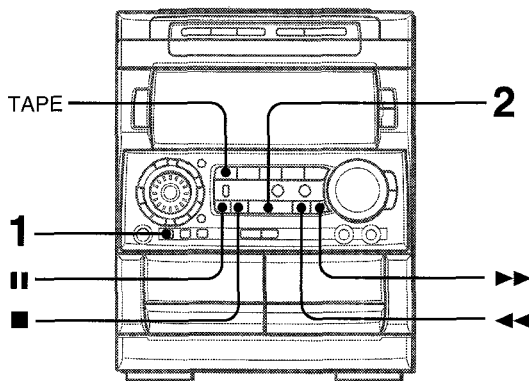
To select a reverse mode (deck 2 only)

Each time **REV MODE** is pressed, the reverse mode changes.



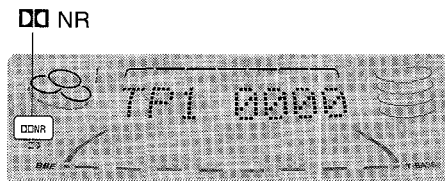
- To play one side only, select **↔**.
- To play from front side to reverse side once only, select **↔**.
- To play both sides repeatedly, select **↔**.
- When tapes are loaded in both decks, **↔** on the display indicates Continuous Play.

PLAYING BACK A TAPE



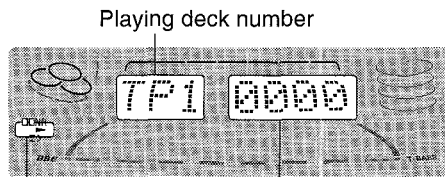
Insert a tape.

1 Press DOLBY NR and turn Dolby NR on or off to match the playback tape.



For tapes recorded with DOLBY NR, turn on **NR**. For tapes recorded without DOLBY NR, turn off **NR**.

2 Press ◀▶ to start play.



Playback side indicator The tape counter indicates the tape running length.

- ▶: The front side is being played (forward).
- ◀: The back side is being played (reverse).

When tapes are loaded in both decks

Press **TAPE** first to select a deck. The selected deck number is displayed.

To stop play, press ■.

To pause play (deck 2 only), press ||. To resume play, press again.

To change the playback side, press ◀▶ DIRECTION/PRESET in play or pause mode.

To fast forward or rewind, press ◀◀ or ▶▶. Then press ■ to stop the tape.

To start play when the power is off (Direct Play Function)

Press **TAPE**. The power is turned on and play of the inserted tape begins.

To set the tape counter to 0000

Press **■ CLEAR** in stop mode. The counter is also set to 0000 when the cassette holder is opened and closed.

MUSIC SENSOR

If there is a 4-second or longer blank between each track, a search for the beginning of the current or next track during playback can be done easily.

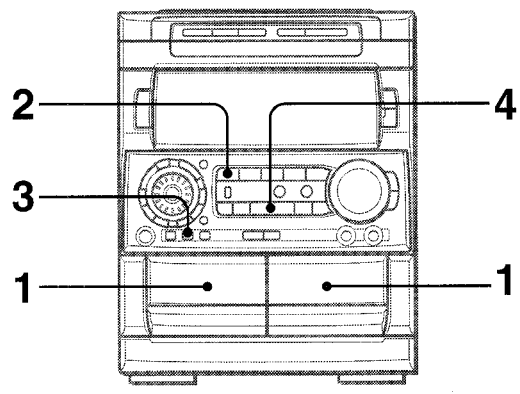
Press ◀▶ or ▶▶ during playback referring to the playback side indicator (◀ or ▶) on the display.

For example, when ▶▶ is pressed while ▶ is displayed, playback of the next track starts.

Music sensor function may not be able to detect tracks under the following conditions:

- Blanks of less than 4 seconds between tracks
- Noisy blanks
- Long passages of low-end sound
- Low overall recording levels

CONTINUOUS PLAY

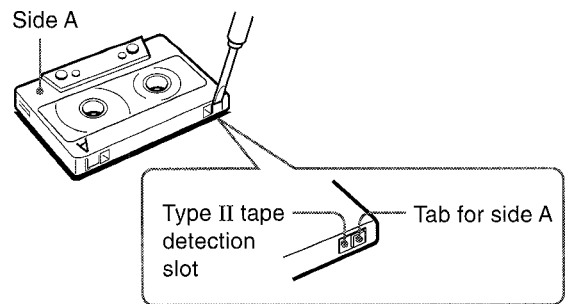


After playback on one deck finishes, the tape in the other deck will start to play without interruption.

- 1 Insert tapes into deck 1 and deck 2.
- 2 Press TAPE DECK1/2 to select the deck to be played back first.
- 3 Press REV MODE to select ⌂.
- 4 Press ◀▶ to start playback.
Playback continues until ■ is pressed.

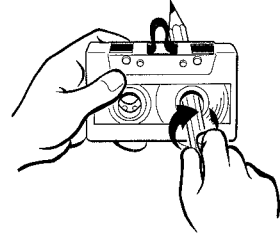
About cassette tapes

- **To prevent accidental erasure**, break off the plastic tabs on the cassette tape after recording with a screwdriver or other pointed tool.



To record on the tape again, cover the tab openings with adhesive tape, etc. (On Type II tapes, take care not to cover the Type II tape detection slot.)

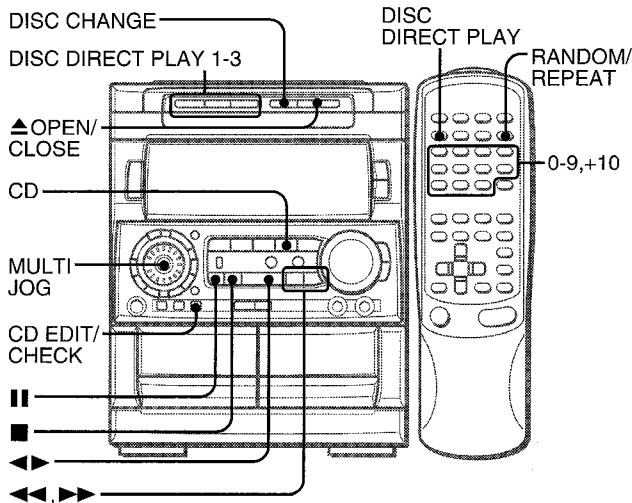
- **120-minute or longer tapes** are extremely thin and easily deformed or damaged. They are not recommended.
- **Take up any slack in the tape** with a pencil or similar tool before use. Slack tape may break or jam in the mechanism.



DOLBY NR system

The Dolby Noise Reduction system reduces tape hiss noise. For optimum performance when playing back a tape recorded with the DOLBY NR system, turn on the DOLBY NR system.

BASIC OPERATIONS

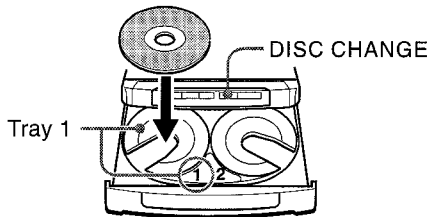


LOADING DISCS

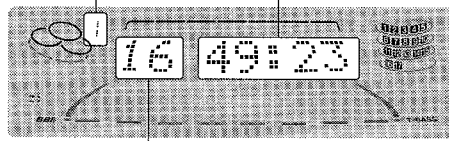
Press **CD**, then press ▲ **OPEN/CLOSE** to open the disc compartment. Load disc(s) with the label side up.

To play one or two discs, place the discs on tray 1 and 2.

To play three discs, press **DISC CHANGE** to rotate the trays after placing two discs. Place the third disc on tray 3. Close the disc compartment by pressing ▲ **OPEN/CLOSE**.



Tray number of the disc to be played Total playing time



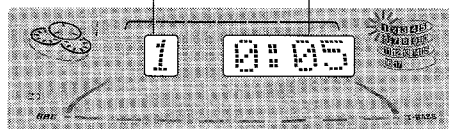
Total number of tracks

PLAYING DISCS

Load discs.

To play all discs in the disc compartment, press ◀▶. Play begins with the disc on tray 1.

Number of track being played Elapsed playing time



To play one disc only, press **DISC DIRECT PLAY 1-3**. The selected disc is played once.

To play with the remote control

Press **DISC DIRECT PLAY**, then press numbered buttons **1-3** within 3 seconds to select a disc.

To stop play, press ■.

To pause play, press II. To resume play, press again.

To search for a particular point during playback, keep ◀◀ or ▶▶ pressed and release it at the desired point.

To skip to the beginning of a track during playback, press ◀◀ or ▶▶ repeatedly or turn **MULTI JOG**.

To remove discs, press ▲ **OPEN/CLOSE**.

To start play when the power is off (Direct Play Function)

Press **CD**. The power is turned on and play of the loaded disc(s) begins.

When ▲ **OPEN/CLOSE** is pressed, the power is also turned on and the disc compartment is opened.

To check the remaining time

During play, press **CD EDIT/CHECK**. The amount of time remaining until all tracks finish playing is displayed. To restore the playing time display, repeat the above.

Selecting a track with the remote control

1 Press **DISC DIRECT PLAY**, then press numbered buttons **1-3** within 3 seconds to select a disc.

2 Press numbered buttons **0-9** and **+10** to select a track.

Example:

To select the 25th track, press **+10**, **+10** and **5**.

To select the 10th track, press **+10** and **0**.

The selected track starts to play and continues to the end of that disc.

Replacing discs during play

While one disc is playing, the other discs can be replaced without interrupting play.

1 Press **DISC CHANGE**.

2 Remove the discs and replace with other discs.

3 Press ▲ **OPEN/CLOSE** to close the disc compartment.

NOTE

- When loading an 8-cm (3-inch) disc, put it onto the inner circle of the tray.
- Do not place more than one compact disc on one disc tray.
- Do not tilt the unit with discs loaded. Doing so may cause malfunctions.
- Do not use irregular shape CDs (example: heart-shaped, octagonal ones). It may result in malfunctions.

RANDOM /REPEAT PLAY

Use the remote control.

RANDOM play

All the tracks on the selected disc or all the discs can be played randomly.


REPEAT play


A single disc or all the discs can be played repeatedly.


Press RANDOM/REPEAT.


Each time it is pressed, the function can be selected cyclically.

RANDOM play — RANDOM lights up on the display.

REPEAT play —  lights up on the display.


RANDOM/REPEAT play — RANDOM and  light up on the display.

Cancel — RANDOM and  disappear from the display.

To play all discs, press  to start play.

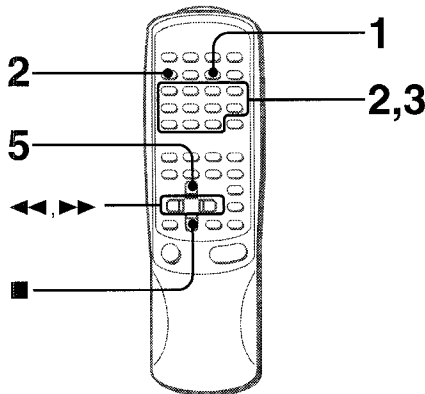
To play a single disc, press one of **DISC DIRECT PLAY 1-3** to start play.

NOTE

During random play it is not possible to skip to the previously played track with .

PROGRAMMED PLAY

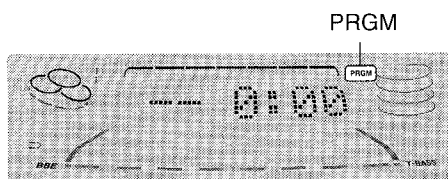
Up to 30 tracks can be programmed from any of the inserted discs.



Use the remote control.

1 Press PRGM twice in stop mode.

"PRGM" is displayed.



- When the **PRGM** is pressed once in step 1, the unit enters the KARAOKE PROGRAM (page 24).

2 Press DISC DIRECT PLAY, then press numbered buttons 1-3 within 3 seconds to select a disc.

Go to the next step when the tray stops rotating.

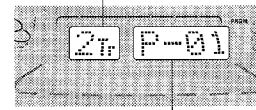
3 Press numbered buttons 0-9 and +10 to program a track.

Example:

To select the 25th track, press **+10**, **+10** and **5**.

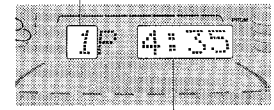
To select the 10th track, press **+10** and **0**.

Selected track number



Program number

Total number of selected tracks


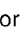


Total playing time of the selected tracks

4 Repeat steps 2 and 3 to program other tracks.

5 Press to start play.

To check the program

Each time  or  is pressed in stop mode, a disc number, track number, and program number will be displayed.

To clear the program

Press  **CLEAR** in stop mode.


To add tracks to the program

Repeat steps 2 and 3 in stop mode. The track will be programmed after the last track.

To change the programmed tracks

Clear the program and repeat all the steps again.

To play the programmed tracks repeatedly

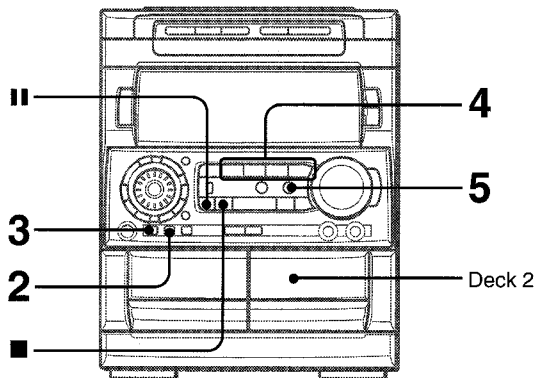
After programming the tracks, press **RANDOM/REPEAT** repeatedly until  appears on the display.

NOTE

During programmed play, you cannot perform random play, checking the remaining time, and selecting a disc or track.

BASIC RECORDING

This section explains how to record from the tuner, CD player, or external equipment.

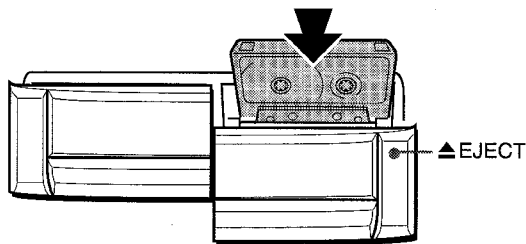


Preparation


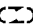
- Use Type I (normal) and Type II (high/CrO₂) tapes for recording.
- Set the tape to the point where recording will start.

1 Insert the tape to be recorded on into deck 2.

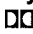

Insert the tape with the side to be recorded on first facing out from the unit.



2 Press REV MODE to select the reverse mode.

To record on one side only, select .
To record on both sides, select .

3 Press DOLBY NR to turn Dolby NR on or off.

To record with DOLBY NR, turn on  NR.
To record without DOLBY NR, turn off  NR.


4 Press function (CD, TUNER, VIDEO/AUX or MD) and prepare the source to be recorded.

To record from a CD, press **CD** and load the disc(s).
To record from a radio broadcast, press **TUNER** and tune in to a station.
To record from a connected source, press **VIDEO/AUX** or **MD**.


5 Press ● REC/REC MUTE to start recording.

When the selected function is CD, playback and recording start simultaneously.

To stop recording, press .

To pause recording, press . (Applicable when the source is TUNER, VIDEO/AUX or MD) To resume recording, press it again.

To start recording with the remote control

First press /O **REC/REC MUTE**, and then press  within 2 seconds.


Sound adjustment during recording

The output volume and tone (except BBE and Rhythm play function) of the speakers or headphones may be freely varied without affecting the recording.

INSERTING BLANK SPACES

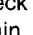
Insertion of 4-second blank spaces enables you to activate the Music Sensor function. (Applicable when the source is TUNER, VIDEO/AUX or MD.)

1 Press ● REC/REC MUTE during recording or while in recording pause mode.

 on the display flashes for 4 seconds and the tape runs without recording. After 4 seconds, the deck enters the recording pause mode.

2 Press  to resume recording.

To insert a blank space of less than 4 seconds, press  **REC/REC MUTE** again while  is flashing.

To insert blank spaces of more than 4 seconds, after the deck enters recording pause mode, press  **REC/REC MUTE** again. Each time the button is pressed, a 4-second blank space is added.

To erase a recording

Make sure the microphone is not connected to this unit and the Rhythm play function (page 7) is canceled. Set the microphone volume and the echo level to OFF (see page 23).

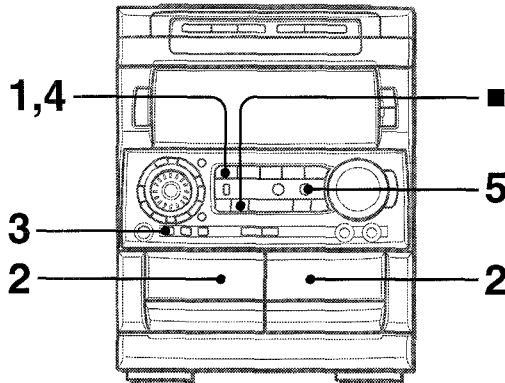
1 Insert the tape to be erased into deck 2 and press TAPE DECK 1/2 to display "TP 2".

2 Set the tape to the point where the erasure is to be started.

3 Set the reverse mode by pressing REV MODE.

4 Press ● REC/REC MUTE to start the erasure.

DUBBING A TAPE MANUALLY



NOTE

- Set the tape to the point where recording will start.
- The reverse mode is automatically set to $\overleftarrow{\text{I}}$.
Note that recording will be done on one side of the tape only.

1 Press TAPE.

2 Insert the original tape into deck 1 and the tape to be recorded on into deck 2.

Insert the tapes with the sides to be played back or recorded on facing out from the unit.

3 Press DOLBY NR to turn off the Dolby NR.

$\square\square$ NR on the display goes out.

4 Press TAPE DECK 1/2 to select deck 1.

"TP 1" is displayed.

5 Press \bullet REC/REC MUTE to start recording.

Playing and recording start simultaneously.

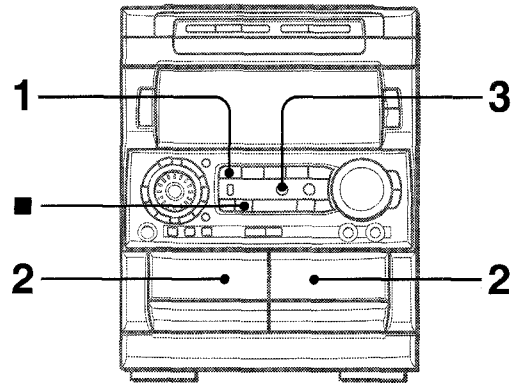
To stop dubbing

Press \blacksquare .

To set the Dolby NR when playing back the dubbed tape

Press **DOLBY NR** and turn Dolby NR on or off to match the original tape.

DUBBING THE WHOLE TAPE



This function allows you to make exact copies of both sides of the original tape. The reverse side of both tapes will start simultaneously as soon as the longer tape has been reversed.

NOTE

- Dubbing does not start from a point halfway in the tape.
- The reverse mode is automatically set to $\overleftarrow{\text{I}}$.
- The Dolby NR does not affect recording.

1 Press TAPE.

2 Insert the original tape into deck 1 and the tape to be recorded on into deck 2.

Insert each tape with the side to be played back or recorded on facing out from the unit.

3 Press SYNC DUB once or twice to start recording.

① For recording at normal speed, press it once to display NORM-DUB.

② For recording at high speed, press it twice to display HIGH-DUB.

①



②



The tapes are rewound to the beginning of the front sides, and recording starts.

To stop dubbing

Press \blacksquare .

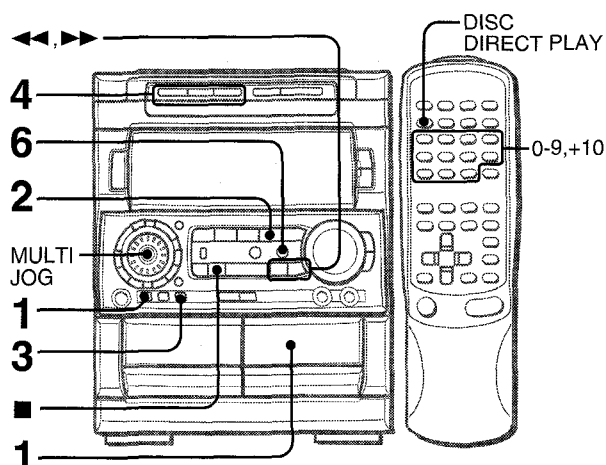
To set the Dolby NR when playing back the dubbed tape

Press **DOLBY NR** and turn Dolby NR on or off to match the original tape.

NOTE

Recording does not start, if the erasure prevention tab on either side of the tape is broken off.

AI EDIT RECORDING



The AI edit recording function enables CD recording without worrying about tape length and track length. When a CD is inserted, the unit automatically calculates the total track length. If necessary, the order of tracks is rearranged so that no track is cut short.

(AI: Artificial Intelligence)

NOTE

AI edit recording will not start from a point halfway into the tape. The tape must be recorded from the beginning of either side.

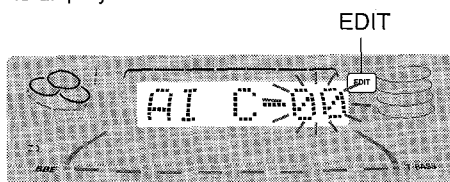
1 Insert the tape into deck 2, and press DOLBY NR to turn Dolby NR on or off.

Insert the tape with the side to be recorded on first facing out from the unit.

2 Press CD and load the disc(s).

3 Press CD EDIT/CHECK once.

"EDIT" is displayed.



• When "PRGM" is displayed, press CD EDIT/CHECK again.

4 Press DISC DIRECT PLAY 1-3 to select a disc.

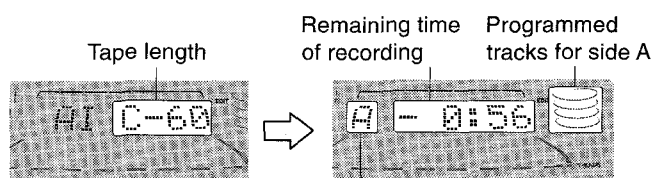
5 Press numbered buttons 0-9 on the remote control to designate the tape length.

10 to 99 minutes can be specified.

Example: When using a 60-minute tape, press 6 and 0.

In a few seconds, the tracks to be recorded on each side of the tape are determined.

• ◀▶, ▶▶ or MULTI JOG are also available to designate the tape length.



Tape side
A: First recording side
B: Second recording side

6 Press ● REC/REC MUTE to start recording on the first side.

The tape is rewound to the beginning of the front side, the lead segment is played through for 10 seconds, and recording starts. When recording on the front (side A) ends, recording on the back (side B) starts.

To stop recording

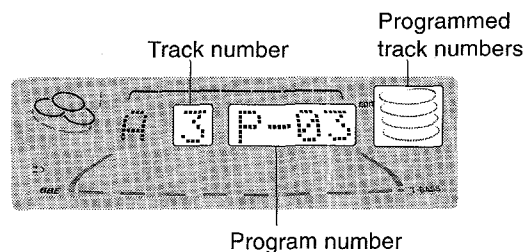
Press ■ CLEAR. Recording and CD play stop simultaneously.

To clear the edit program

Press ■ CLEAR twice so that "EDIT" disappears on the display.

To check the order of the programmed track numbers

Before recording, press CD EDIT/CHECK to select side A or B, and press ◀▶ or ▶▶ repeatedly.



To add tracks from other discs to the edit program

If there is any time remaining on the tape after step 5, you can add tracks from other discs in the CD compartment.

1 Press CD EDIT/CHECK to select side A or B.

2 Press DISC DIRECT PLAY 1-3 to select a disc.

3 Press numbered buttons on the remote control to select tracks.

A track whose playing time is longer than the remaining time cannot be programmed.

4 Repeat steps 2 and 3 to add more tracks.

Time on cassette tapes and editing time

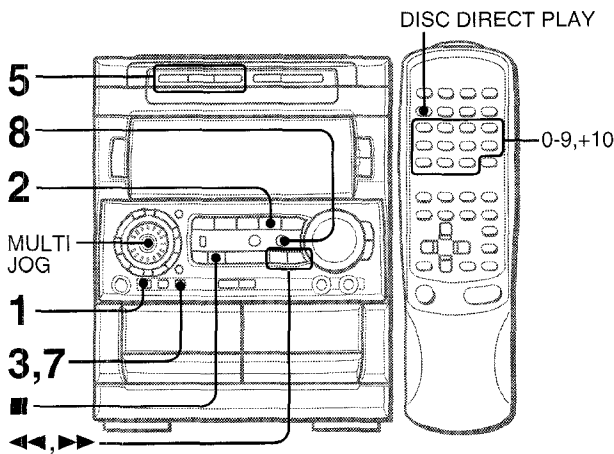
The actual cassette recording time is usually a little longer than the specified recording time printed on the label. This unit can program tracks to use the extra time. When the total recording time is a little longer than the tape's specified recording time after editing, the display shows the extra time (without a minus mark), instead of the time remaining on the tape (with the minus mark).

NOTE

• Recording is inhibited if the erasure prevention tab on either side of the tape is broken off.

• The AI edit recording function cannot be used with discs containing 31 tracks or more.

PROGRAMMED EDIT RECORDING



In the programmed edit recording function the tracks can be programmed while checking the remaining time on each side of the tape as the tracks are programmed.

NOTE

The programmed edit recording will not start from a point halfway in the tape. The tape must be recorded on from the beginning of either side.

1 Insert the tape into deck 2, and press DOLBY NR to turn Dolby NR on or off.

Insert the tape with the side to be recorded on first facing out from the unit.

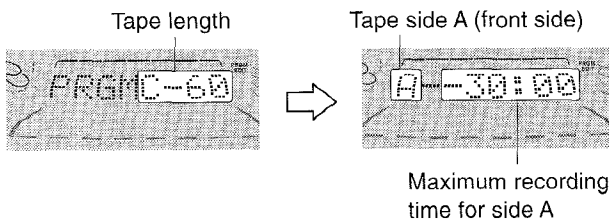
2 Press CD and load the disc(s).

3 Press CD EDIT/CHECK twice.

"EDIT" and "PRGM" are displayed.
• When "AI" is displayed, press CD EDIT/CHECK again.

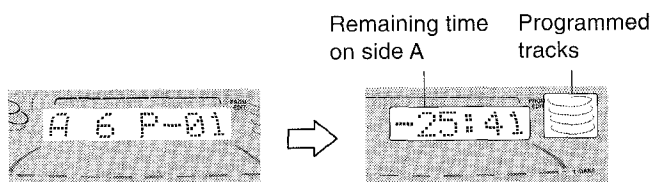
4 Press numbered buttons on the remote control to designate the tape length.

10 to 99 minutes can be specified.
• The ◀◀, ▶▶ or MULTI JOG are also available to designate the tape length.



5 Press DISC DIRECT PLAY 1-3 to select a disc. Then, press numbered buttons 0-9 and + 10 on the remote control to program a track.

Example: To select the 10th track of disc 2, press DISC DIRECT PLAY 2, then press +10 and 0.

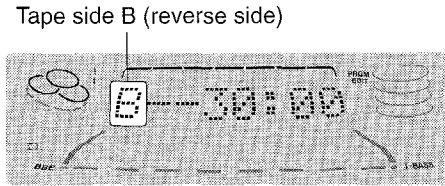


6 Repeat step 5 for the rest of the tracks for side A.

A track whose playing time is longer than the remaining time cannot be programmed.

7 Press CD EDIT/CHECK to select side B and program the tracks for side B.

After confirming "B" on the display, repeat step 5.



8 Press the ● REC/REC MUTE button to start recording.

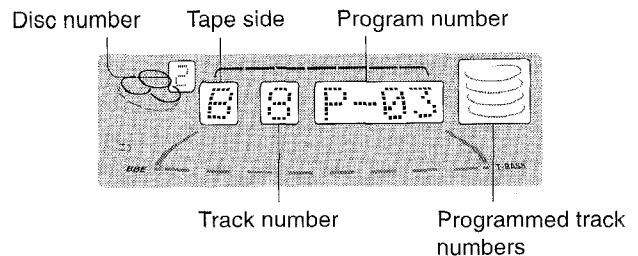
The tape is rewound to the beginning of the front side, the lead segment is played through for 10 seconds, and recording starts. When recording on the front side (A) ends, recording on the back side (B) starts.

To stop recording

Press ■. Recording and CD play stop simultaneously.

To check the order of the programmed track numbers

Before recording, press CD EDIT/CHECK to select side A or B, and press ◀◀ or ▶▶ repeatedly.



To change the program of each side

Press CD EDIT/CHECK to select side A or B, and press ■ CLEAR to clear the program on the selected side. Then program tracks again.

To clear the edit program

Press ■ CLEAR twice so that "EDIT" disappears on the display.

NOTE

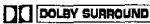
- Up to 30 tracks can be programmed from any of the inserted discs.
- Recording is inhibited if the erasure prevention tab on either side of the tape is broken off.

DOLBY PRO LOGIC

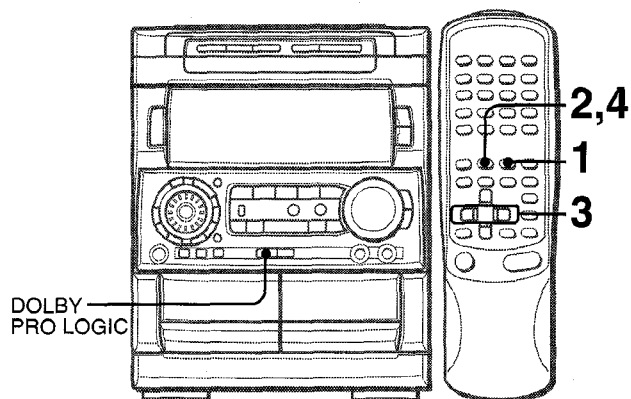
The DOLBY PRO LOGIC feature and the center and rear speakers (standard) assure full-scale home theater sound. When playing back laser discs or video software that have been recorded in Dolby Surround, astonishingly realistic sound surrounds the listener to create a new level of audio/visual entertainment.

Independent control of the four sound channels allows the listener to enjoy the same type of sound reproduction experienced in movie theaters. Voices are reproduced in the front and center sound field, while ambient sounds like cars and crowds are reproduced on all sides of the listener for an incredibly lifelike audio/video experience. Please read the following carefully to "tune" the system's output to match the characteristics of your listening space.

Check the following:

- Before using the DOLBY PRO LOGIC, adjust the proper balance of speaker sound levels.
- Make sure the supplied speakers are properly connected and positioned. (See page 3 and 4)
- Make sure the TV set and video unit are properly connected. (See page 4)
- Make sure the laser disc, video tape, etc., support  DOLBY SURROUND.

ADJUSTING SPEAKER LEVEL BALANCE

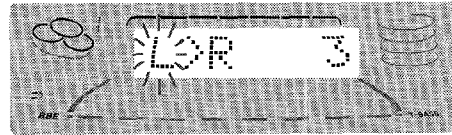


The unit is equipped with a built-in test signal generator called a noise sequencer for easy balance adjustment of all 5 channels. The sequencer outputs a noise signal that "travels" from channel to channel, enabling the simple adjustment of sound level to achieve, at the listening position, the same apparent loudness from each channel.

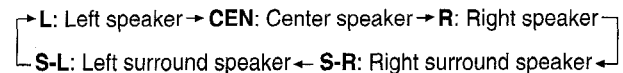
Use the remote control.

- 1 Press **DOLBY PRO LOGIC** to select "NORMAL". "NORMAL" lights up in red. If "PHANTOM" or "3 STEREO" lights up in red, press **DOLBY PRO LOGIC** repeatedly until "NORMAL" is selected.

- 2 Press **MANUAL SELECT (TEST)** and hold it down for about 4 seconds until "L" flashes.

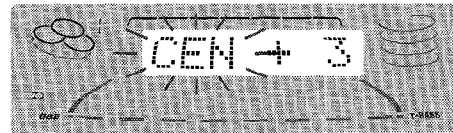


A noise signal is sent to each channel in turn in the following sequence.



- 3 Adjust the sound level of the center and the surround speakers.

While "CEN" "S-R" or "S-L" is displayed, press **◀ DOWN** or **▶ UP** to adjust the volume of the center or each surround speaker to match the level of the front speakers.



To adjust the balance between the left and right front speakers, see page 7. At this time, the DOLBY PRO LOGIC mode should be canceled by pressing **DOLBY PRO LOGIC** until the "P-OFF" is displayed.

- 4 Press **MANUAL SELECT (TEST)** again to stop the noise signal.

NOTE

- If the surround speakers or the center speaker level of the DOLBY PRO LOGIC is changed, that of the SURROUND system (page 11) and the DOLBY DIGITAL SURROUND (page 28) is also changed.
- While "S-L" or "S-R" is displayed, both surround speakers output the noise signal together. However, only the sound level of one surround speaker displayed as "S-L" or "S-R" can be adjusted.

About the channels

The left and right front speakers create the stereo effect.

The center speaker helps achieve precise sound positioning over a broad sound field.

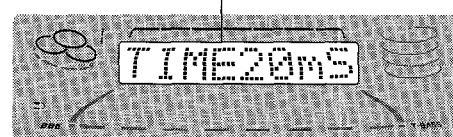
The rear-mounted surround speakers enhance the "depth" of the sound field.

To change the delay time

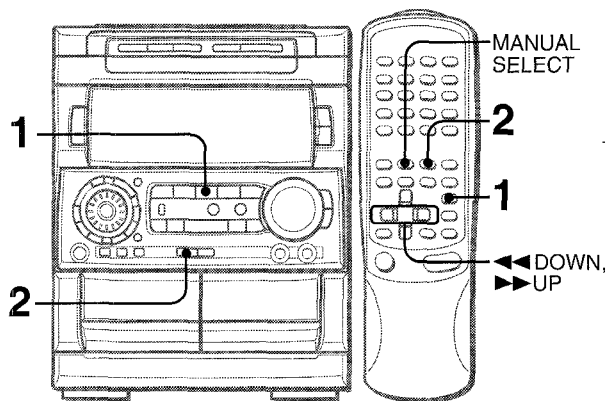
The surround speakers reproduce sounds a split second after the front speakers. The delay is initially set to 20 ms (milliseconds).

To change this standard delay time, press **MANUAL SELECT (TEST)** on the remote control repeatedly until "TIME" is displayed. Then, press **◀ DOWN** or **▶ UP**. Each time one of the buttons is pressed, the delay time changes as shown below.

15 mS ↔ 20 mS ↔ 30 mS



PLAY WITH DOLBY PRO LOGIC



1 Press VIDEO/AUX/5.1CH and start playback of the video source.

"VIDEO" is displayed.

If "5.1 ch IN" is displayed, press VIDEO/AUX/5.1CH again.

2 Press DOLBY PRO LOGIC.

"NORMAL" is selected, and the playback sound has the DOLBY PRO LOGIC effect.

To cancel Dolby Pro Logic mode

Press DOLBY PRO LOGIC repeatedly until P-OFF is displayed.

To change the sound levels during playback

After adjusting the balance with the noise sequencer, the sound levels of the center or each surround speaker can be adjusted during playback of laser discs or video software.

- 1 Press **MANUAL SELECT (TEST)** on the remote control repeatedly to select "CEN" (center speaker) "S-L" (Left surround speaker) or "S-R" (Right surround speaker).
- 2 While the "CEN" "S-L" or "S-R" is displayed, press ◀◀ **DOWN** or ▶▶ **UP** button on the remote control to adjust the volume.

ADDITIONAL DOLBY PRO LOGIC MODES

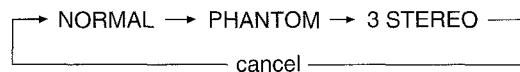
In addition to the NORMAL mode, this unit is also equipped with the PHANTOM and the 3 STEREO modes.

PHANTOM mode: Use this mode when no center speaker is connected. The center channel signals are output through the left and right speakers.

3 STEREO mode: Use this mode when no surround speakers are connected. This mode reproduces rear sounds through the front speakers.

To select PHANTOM or 3 STEREO


Press DOLBY PRO LOGIC repeatedly until the desired DOLBY PRO LOGIC mode is displayed. The DOLBY PRO LOGIC mode is displayed cyclically as follows.



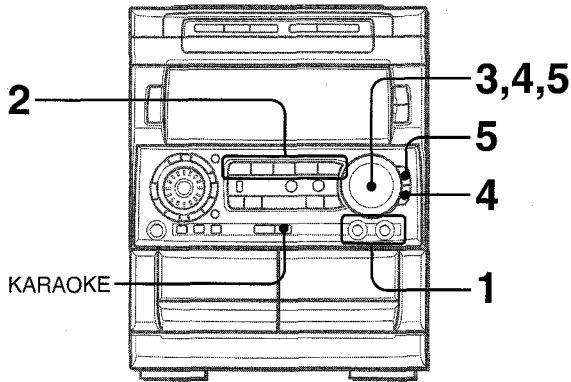
To adjust the balance of connected speaker sound levels

Carry out steps 2 to 4 of "ADJUSTING SPEAKER LEVEL BALANCE".

NOTE

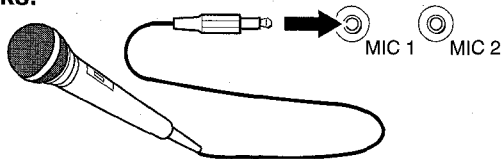
- Depending on the sound source and/or listening conditions, a surround effect may not be obtained even when the Dolby Pro Logic is on.
- The full DOLBY PRO LOGIC effect cannot be obtained when using software without  mark. In this case, use the SURROUND system instead. (See page 10.)
- The DOLBY PRO LOGIC is automatically canceled when:
 - the ECHO level is changed.
 - the SURROUND system or the BBE is turned on.
 - the headphones are plugged in.
 - the Karaoke function is turned on.
 - the 5.1 CH (page 28) is selected.
- Set the microphone volume to OFF while the DOLBY PRO LOGIC is on. Otherwise, the DOLBY PRO LOGIC sound can not be reproduced correctly.

MICROPHONE MIXING



Two microphones (not supplied) can be connected to this unit, allowing you to sing along to music sources. Use microphones with mini plugs (ø3.5 mm, 1/8 inch).

1 Connect your microphones to MIC 1 and MIC 2 jacks.



2 Press one of the function buttons to select the source to be mixed, and play the source.

3 Adjust the volume and tone of the source.

4 Press MIC and turn VOLUME within 4 seconds to adjust the microphone volume.

The microphone volume can be selected from 1 to MAX (7) or OFF (cancel).

The volume of both microphones is adjusted simultaneously.

5 Press ECHO and turn VOLUME within 4 seconds to adjust the echo level.

The echo level can be selected from 1 to MAX (7) or OFF (cancel).

To change the delay time of echo

Hold down **ECHO** while the echo is on. "L" (Long) and "M" (Middle) are displayed alternately. At the desired position, release the button.

To record microphone sound mixed with source sound

Follow the procedure for recording from the sound source (see page 17).

SYNC DUB cannot be used for mixing recording.

When not using the microphones

Set the microphone volume and echo level to OFF and remove the microphones from **MIC** jacks.

NOTE

- When the ECHO level is changed, the SURROUND system and the DOLBY PRO LOGIC are automatically canceled.
- When the MIC or ECHO is turned on while the 5.1CH (page 28) is selected, the 5.1CH is changed to VIDEO.
- If a microphone is held too near the speakers, a howling sound may be produced. In this case, hold the microphone away from the speakers, or decrease the microphone volume.
- If sound through the microphone is extremely loud, it may be distorted. In this case, decrease the microphone volume.
- When the function is changed, the microphone volume and the echo volume are set to off.

Recommended microphones

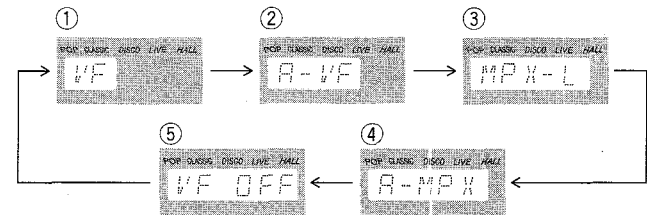
The use of unidirectional type microphones is recommended to prevent howling. Contact your local Aiwa dealer for details.

VOCAL FADER/MULTIPLEX FUNCTIONS

This unit can use discs or tapes as Karaoke sources. Use the Vocal fader function for ordinary discs or tapes. Use the Multiplex function for multi audio discs or tapes.

Press KARAOKE repeatedly to select the vocal fader or multiplex function.

Each time **KARAOKE** is pressed, one of these functions is selected cyclically.



① Vocal Fader

The singer's voice becomes softer than the accompaniment.

② Auto Vocal Fader

The singer's voice becomes softer only while there is audio input through a microphone.

③ Multiplex

Only the sound on the left channel is heard from both speakers, and the sound on the right channel is muted.

④ Auto Multiplex

The sound on the left channel is heard from both speakers, and the sound on the right channel is muted only while there is audio input through a microphone.

⑤ Cancel

To change the time lag setting in Auto Vocal Fader or Auto Multiplex function

The muted original singer's voice can be turned faster to the normal level.

When Auto Vocal Fader or Auto Multiplex is selected, "A-VF" or "A-MPX" is displayed for 3 seconds and changes to the selected function name. After the selected function name is displayed, hold down **KARAOKE** until "FAST" is displayed.

To return to the initial setting, select SLOW.

When the power is turned off, SLOW is restored.

To change the audible channel in Multiplex function

Only the sound on the right channel can be heard from both speakers.

When Multiplex is selected, "MPX-L" is displayed for 3 seconds and changes to the selected function name. After the selected function name is displayed, hold down **KARAOKE** until "MPX-R" is displayed.

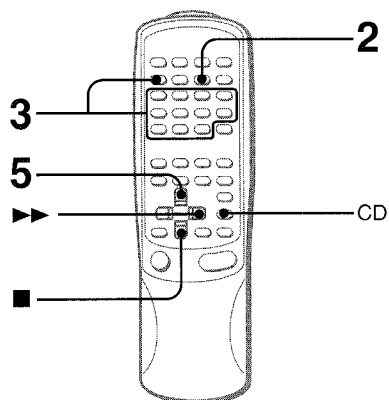
To return to the initial setting, select MPX-L.

When the power is turned off, MPX-L is restored.

NOTE

- The Karaoke functions may not operate correctly with the following kinds of CDs or tapes.
 - Those with monaural sound
 - Those recorded with strong echoes
 - Those with the vocal part recorded on the right or left side of the sound width
- While the Karaoke function is on, the sound is output as monaural.
- When the function is changed, the Karaoke function is canceled.

KARAOKE PROGRAM

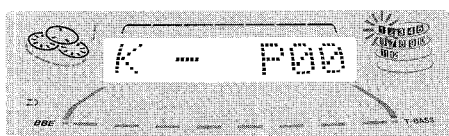


Before or during CD play, you can reserve up to 15 tracks to be played after the current track. Each reservation is cleared when it finishes playing.

Use the remote control.

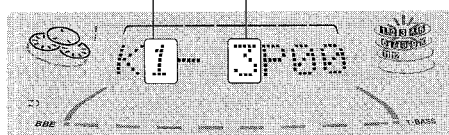
1 Press CD and load the discs.

2 Press PRGM once.



3 Press DISC DIRECT PLAY, then press numbered buttons 1-3 within 3 seconds to select a disc. Then, press numbered buttons 0-9 and + 10 to program a track.

Reserved disc number Reserved track number

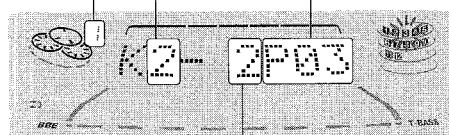


4 Repeat step 3 to reserve other tracks.

5 Press ◀▶ to start play.

After a track is played, it is cleared from the program.

Currently playing disc Disc number of the last reservation Number of remaining reserved tracks



Track number of the last reservation

To add a reservation during play

Repeat step 3.

To check the reserved tracks

Press **CD EDIT/CHECK** repeatedly. Each time it is pressed, the disc number and track number are displayed in the reserved order.

To stop play

Press **■**.

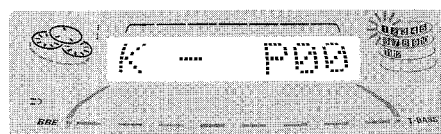
When **◀▶** is pressed, the play starts from the last track again.

To skip a current track

Press **▶▶**. The skipped track is cleared from the program.

To clear all the reservations

Press **▶▶** repeatedly until "K - P00" is displayed.

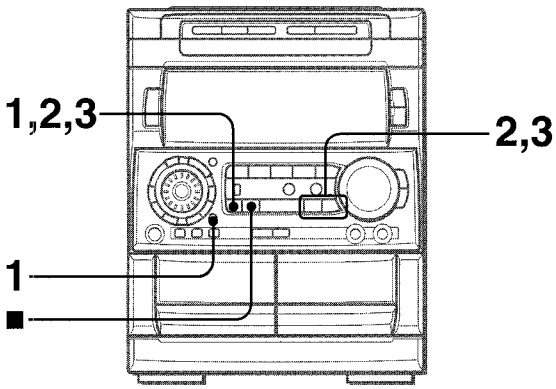


Press it once more to cancel the Karaoke programs. The display returns to that of CD play.

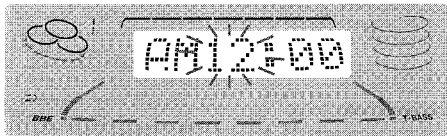
NOTE

- If the reserved track number does not exist on the selected disc, the unit stops playing and the display flashes. In this case, press **▶▶** to skip the error track. Then press **◀▶** to start play with the next reserved track.
- When **PRGM** is pressed repeatedly in step 2, **PRGM** is displayed and the unit enters CD program play mode (page 16). To cancel program play, press **■ CLEAR**.

SETTING THE CLOCK



1 Press CLOCK/TIMER once, then press **|| SET within 4 seconds.**



2 Press **◀ DOWN or **▶ UP** to designate the hour, then press **|| SET**.**

The hour stops flashing and the minute starts flashing.

3 Press **◀ DOWN or **▶ UP** to designate the minute, then press **|| SET**.**

The minute stops flashing on the display and the clock starts from 00 seconds.

To display the current time

Press **CLOCK**. The time is displayed for 4 seconds. However, the time cannot be displayed during recording.

To switch to the 24-hour standard

Press the **CLOCK** and then press **■** within 4 seconds. Repeat the same procedure to restore the 12-hour standard.

If the clock display flashes

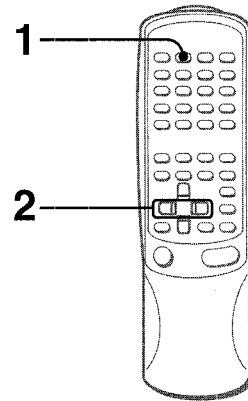
This is caused by a power interruption. The current time needs to be reset.

If power is interrupted for more than approximately 24 hours, all settings stored in memory after purchase need to be reset.

* **MULTI JOG** is also available instead of **◀** and **▶**.

* **ENTER** is also available instead of **|| SET**.

SETTING THE SLEEP TIMER



The unit can be turned off automatically at a specified time.

Use the remote control.

1 Press SLEEP.



2 Within 4 seconds, press **◀ or **▶** to specify the time until the power is turned off.**

Each time the button is pressed, the time changes between 5 and 240 minutes in 5-minute steps.

Specified time



To check the time remaining until the power is turned off

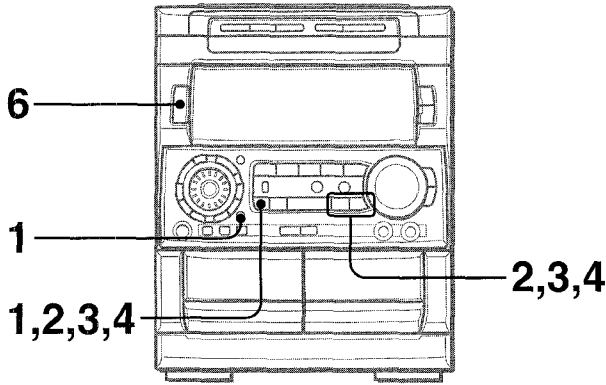
Press **SLEEP** once. The remaining time is displayed for 4 seconds.

To cancel the sleep timer

Press **SLEEP** twice so that "SLEEP OFF" appears on the display.

* **MULTI JOG** is also available instead of **◀** and **▶**.

SETTING THE TIMER



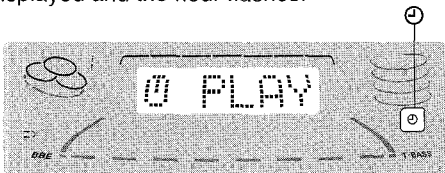
The unit can be turned on at a specified time every day with the built-in timer.

Preparation

Make sure the clock is set correctly.

1 Press CLOCK/TIMER repeatedly to display ☉, then press **|| SET within 6 seconds.**

☉ is displayed and the hour flashes.

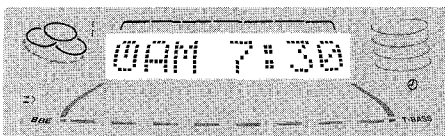


NOTE

If you press **|| SET** after 6 seconds, another operation may start.

2 Designate the hour of the timer-on time by pressing **◀ DOWN or **▶ UP**, then press **|| SET**.**

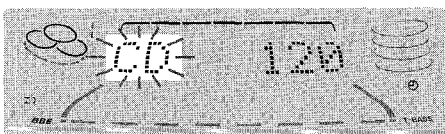
Repeat to designate the minute of the timer-on time.



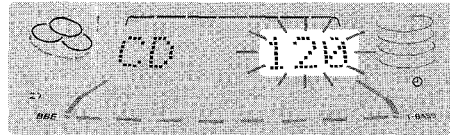
After you designate the timer-on time, one of the source names flashes on the display.

3 Press **◀ DOWN or **▶ UP** to select a source, then press **|| SET**.**

• If TUNER is selected, the band cannot be selected in this step.



4 Select the duration for the timer-activated period with **◀ DOWN or **▶ UP**, then press **|| SET**.**



The duration for the timer-activated period can be set between 5 and 240 minutes in 5-minute steps.

5 Prepare the source.

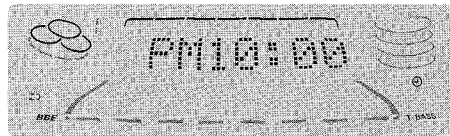
To listen to a CD, load the CD to be played first on tray 1.

To listen to a tape, insert the tape into deck 1 or 2.

To listen to the radio, tune in to a station.

6 Press POWER to turn the unit off after adjusting the volume and tone.

☉ remains on the display after the power is turned off (timer standby mode).



When the timer-on time is reached, the unit turns on and begins play with the selected source.

The volume level is automatically set to 20 when the power is turned off with the volume level set to 21 or more.

To check the specified time and source

Press **CLOCK/TIMER** twice. The timer-on time, the selected source name and the duration for the timer-activated period are displayed for 4 seconds.

To cancel timer standby mode temporarily

Press **CLOCK/TIMER** repeatedly until ☉ or ☉REC disappears on the display.

To restore the timer standby mode, press **CLOCK/TIMER** repeatedly to display ☉ or ☉REC.

Using the unit while the timer is set

You can use the unit normally after setting the timer.

Before turning off the power, carry out step 5 to prepare the source, and adjust the volume and tone.

NOTE

- Timer playback and timer recording will not begin unless the power is turned off.
- Connected equipment cannot be turned on and off by the built-in timer of this unit. Use an external timer.

* **MULTI JOG** is also available instead of **◀** and **▶**.

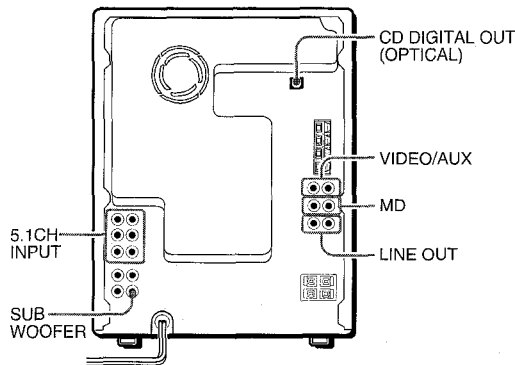
* **ENTER** is also available instead of **|| SET**.

TIMER RECORDING

Timer recording is applicable for TUNER and VIDEO/AUX (with an external timer) sources only.

Press CLOCK/TIMER repeatedly until ☉ TIMER REC flashes on the display, then press **|| SET within 6 seconds.** Carry out the steps of "SETTING THE TIMER" from step 2 and insert the tape to be recorded on into deck 2 after step 5.

CONNECTING OPTIONAL EQUIPMENT



Refer to the operating instructions of the connected equipment for details.

- The connecting cords are not supplied. Obtain the necessary connecting cords.
- Consult your local Aiwa dealer for optional equipment.

VIDEO/AUX JACKS

This unit can input analog sound signals through these jacks. Use a cable with RCA phono plugs to connect audio equipment (DVD player, turntables, LD players, MD players, VCRs, TV, etc.). Connect the red plug to **VIDEO/AUX R** jack, and the white plug to **VIDEO/AUX L** jack.

When connecting a turntable

Use an Aiwa turntable equipped with a built-in equalizer amplifier.

MD JACKS

This jack is recommended to connect with an MD player. Use a cable with RCA phono plugs. Connect the red plug to **MD R** jack, and the white plug to **MD L** jack.

LINE OUT JACKS

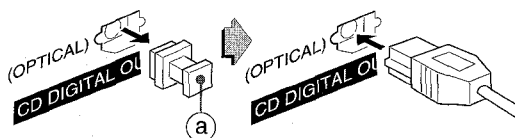
This unit can output analog sound signal through these jacks. Use a cable with RCA phono plugs to connect audio equipment with **LINE IN** (analog input) jacks. Connect the red plug of a cable to **LINE OUT R** jack, and the white plug to **LINE OUT L** jack.

NOTE

Do not connect an equipment to **LINE OUT** jacks and **VIDEO/AUX** jacks simultaneously. Otherwise, noise is generated and malfunction occurs.

CD DIGITAL OUT (OPTICAL) JACK

This unit can output CD digital sound signals through this jack. Use an optical cable to connect digital audio equipment (DAT deck, MD recorder, etc.). Remove the dust cap **Ⓐ** from **CD DIGITAL OUT (OPTICAL)** jack. Then, connect an optical cable plug to **CD DIGITAL OUT (OPTICAL)** jack.



When the CD DIGITAL OUT (OPTICAL) jack is not being used

Attach the supplied dust cap.

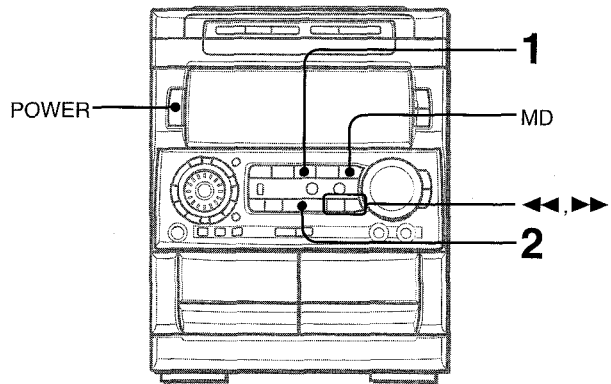
SUB WOOFER JACK

Connect an optional powered sub woofer with built-in-amplifier to the jack.

5.1 CH INPUT JACKS

This unit can input sound signals from the audio equipment (DVD player, LD player, etc.) that contains a Dolby Digital decoder with the 5.1 ch output terminals. Refer to "CONNECTING A DVD PLAYER" on page 28.

LISTENING TO EXTERNAL SOURCES



To play a equipment connected to **VIDEO/AUX** jacks or **MD** jacks proceed as follows.

1 Press VIDEO/AUX/5.1CH or MD.

To play the equipment connected to **VIDEO/AUX**, press **VIDEO/AUX/5.1CH**. "VIDEO" appears on the display.

To play the equipment connected to **MD**, press **MD**. "MD" appears on the display.

2 Play the connected equipment.

To change a source name in the display

When **VIDEO/AUX/5.1CH** is pressed, "VIDEO" is displayed initially. It can be changed to "AUX" or "TV".

With the power on, press **POWER** while pressing **VIDEO/AUX/5.1CH**.

Repeat the procedure to select one of the names.

To adjust the sound level of the external source

When the sound level of the external source is much higher or much lower than that of other function sources, adjust it as follows.

1 Press **VIDEO/AUX/5.1CH** or **MD** and play the equipment.

2 Press **◀** or **▶** so that the sound level becomes the same as that of other function sources.

NOTE

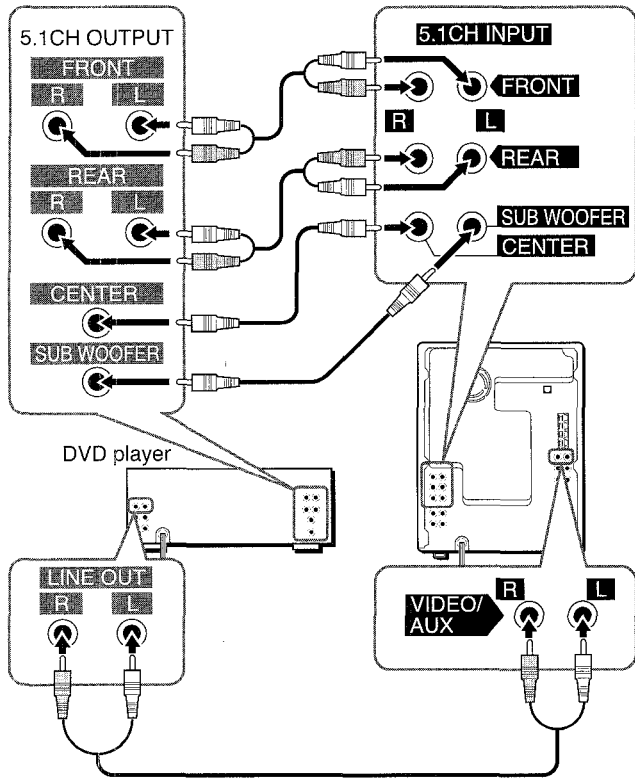
During recording, the sound level can not be adjusted.

CONNECTING A DVD PLAYER

5.1CH INPUT jacks of this unit support the DOLBY DIGITAL SURROUND system.

Connect a DVD player with 5.1CH output jacks to this unit using cables with RCA phono plugs as follows;

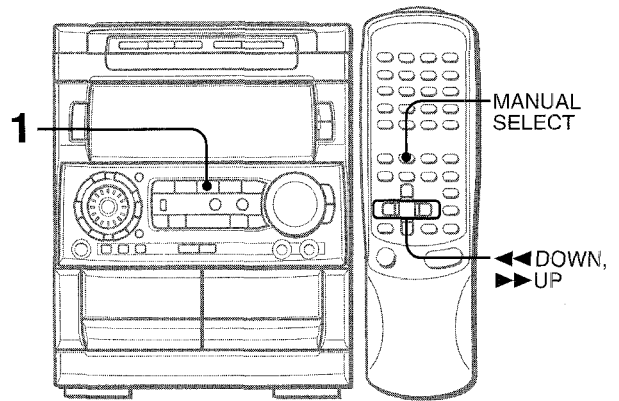
DVD player's jack	This unit's jack
5.1CH OUTPUT FRONT (L,R), etc.	→ 5.1CH FRONT (L,R)
5.1CH OUTPUT REAR (L,R), etc.	→ 5.1CH REAR (L,R)
5.1CH OUTPUT CENTER, etc.	→ 5.1CH CENTER
5.1CH OUTPUT SUB WOOFER, etc.	→ 5.1CH SUB WOOFER
LINE OUT (L,R), etc.	→ VIDEO/AUX (See NOTE .)



NOTE

- If the DVD player is not connected to **VIDEO/AUX** jacks of this unit;
 - the spectrum analyzer dose not show the sound level of the DVD player.
 - the sound from the connected DVD player cannot be recorded.
 To remove these limitations, connect the LINE OUT jacks of the DVD player to **VIDEO/AUX** jacks of this unit besides connecting to **5.1CH INPUT** jacks. The signals through **VIDEO/AUX** jacks enable the spectrum analyzer to work and the recording to be done. Refer also to the operating Instructions of the DVD player.
- DOLBY DIGITAL SURROUND sound cannot be recorded in any way.

LISTENING TO DOLBY DIGITAL SURROUND SOUND



When a DVD player is connected to the **5.1CH INPUT** jacks of this unit, you can listen to DOLBY DIGITAL SURROUND sound, which enables you to enjoy theater-quality sound in your home.

- 1 Press **VIDEO/AUX/5.1CH** repeatedly until "5.1 ch IN" is displayed.
- 2 Start playing **DOLBY DIGITAL SURROUND** sound on the DVD player.

NOTE

- The DOLBY PRO LOGIC, BBE and the SURROUND are automatically canceled when the 5.1 CH is selected.
- Make sure the software played back with the connected DVD player support the DOLBY DIGITAL SURROUND
- The function is changed from the 5.1 CH to the VIDEO when;
 - the headphones are plugged in.
 - the MIC or ECHO level is changed.
 - the Rhythm play function, the SURROUND system, the DOLBY PRO LOGIC or the Karaoke function is turned on.

To adjust the sound levels of the center and surround speakers in DOLBY DIGITAL SURROUND

- 1 Press **VIDEO/AUX/5.1CH** repeatedly until "5.1 ch IN" is displayed.
- 2 Press **MANUAL SELECT (TEST)** repeatedly. Speaker names appear in turn as follows;

┌ L/R (Speaker balance) ───┐ CEN: Center speaker ───┐

└ S-R: Right surround speaker ─ S-L: Left surround speaker ─┘
- 3 Press **◀ DOWN** or **▶ UP** to adjust the sound level while "CEN", "S-L" or "S-R" is displayed. Each level can be adjusted between -8 dB and +7 dB.
- 4 Repeat steps 2 and 3 to adjust each speaker's sound level.

NOTE

If the surround speakers or the center speaker level of the DOLBY DIGITAL SURROUND is changed, that of the SURROUND system (page 11) and the DOLBY PRO LOGIC (page 21) is also changed.

En

CARE AND MAINTENANCE

Occasional care and maintenance of the unit and the software are needed to optimize the performance of your unit.

To clean the cabinet

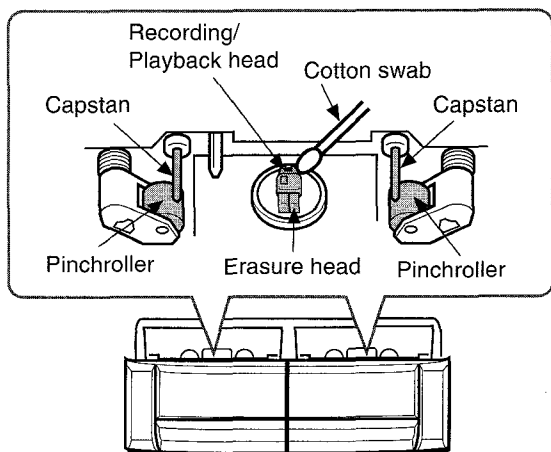
Use a soft and dry cloth.

If the surfaces are extremely dirty, use a soft cloth lightly moistened with mild detergent solution. Do not use strong solvents, such as alcohol, benzine or thinner as these could damage the finish of the unit.

To clean the heads and tape paths

After every 10 hours of use, clean the heads and tape paths with a head cleaning cassette or cotton swab moistened with cleaning fluid or denatured alcohol. (These cleaning kits are commercially available.)

When cleaning with a cotton swab, wipe the recording/playback head (deck 2 only), erasure head (deck 2 only), capstans, and pinchrollers.



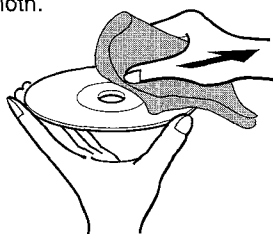
After cleaning the heads and tape paths with a liquid head cleaning cassette or a moistened swab, wait until the cleaned parts are completely dry before inserting the tapes.

To demagnetize the heads

The heads may become magnetized after long-term use. This may narrow the output range of recorded tapes and increase noise. After 20 to 30 hours use, demagnetize the heads with any commercially available demagnetizer.

Care of discs

- When a disc becomes dirty, wipe the disc from the center out with a cleaning cloth.



- After playing a disc, store the disc in its case. Do not leave the disc in places that are hot or humid.

Care of tapes

- Store tapes in their cases after use.
- Do not leave tapes near magnets, motors, television sets, or any source of magnetism. This will downgrade the sound quality and cause noise.
- Do not expose tapes to direct sunlight, or leave them in a car parked in direct sunlight.

TROUBLESHOOTING GUIDE

If the unit fails to perform as described in these Operating Instructions, check the following guide.

GENERAL

There is no sound.

- Is the AC cord connected properly?
- Is there a bad connection? (→ page 4)
- There may be a short circuit in the speaker terminals.
 - Disconnect the AC cord, then correct the speaker connections.
- Was an incorrect function button pressed?

Sound is emitted from one speaker only.

- Is the other speaker disconnected?

The output sound is not stereo.

- Is the Karaoke function turned on? (→ page 23)

An erroneous display or a malfunction occurs.

- Reset the unit as stated below.

TUNER SECTION

There is constant, wave-like static.

- Is the antenna connected properly? (→ page 5)
- Is the signal weak?
 - Connect an outdoor antenna.

The reception contains noise interferences or the sound is distorted.

- Is the system picking up external noise or multipath distortion?
 - Change the orientation of the antenna.
 - Move the unit away from other electrical appliances.

CASSETTE DECK SECTION

The tape does not run.

- Is deck 2 in pause mode? (→ page 13)

The sound is off-balance or not adequately high.

- Is the playback head dirty? (→ page 29)

Recording is not possible.

- Is the erasure prevention tab on the tape broken off? (→ page 14)
- Is the recording head dirty? (→ page 29)

Erase is not possible.

- Is the erasure head dirty? (→ page 29)
- Is a metal tape being used?

High frequency sound is not emitted.

- Is the recording/playback head dirty? (→ page 29)
- Is a tape recorded without Dolby NR played back with the Dolby NR system operating? (→ page 17)

CD PLAYER SECTION

The CD player does not play.

- Is the disc correctly placed? (→ page 15)
- Is the disc dirty? (→ page 29)
- Is the lens affected by condensation?
 - Wait approximately one hour and try again.

To reset

If an unusual condition occurs in the display window or the cassette decks, reset the unit as follows.

- 1 Press **POWER** to turn off the power.
- 2 Press **POWER** to turn the power back on while pressing **■ CLEAR**. Everything stored in memory after purchase is canceled.

If the power cannot be turned off in step 1 because of a malfunction, reset by disconnecting the AC cord, and connect it again. Then carry out step 2.

SPECIFICATIONS

Main unit CX-NMT920

FM tuner section

Tuning range	87.5 MHz to 108 MHz
Usable sensitivity (IHF)	13.2 dBf
Antenna terminals	75 ohms (unbalanced)

AM tuner section

Tuning range	530 kHz to 1710 kHz (10 kHz step) 531 kHz to 1602 kHz (9 kHz step)
Usable sensitivity	350 μ V/m
Antenna	Loop antenna

Amplifier section

Power output	Front
	100 W + 100 W (50 Hz – 20 kHz, THD less than 1%, 6 ohms)
	Rear (Surround)
	33 W + 33 W (50 Hz – 20 kHz, THD less than 1%, 8 ohms)
	Center
	33 W (50 Hz – 20 kHz, THD less than 1%, 8 ohms)

Total harmonic distortion	0.1 % (90 W, 1 kHz, 6 ohms, DIN AUDIO/Front)
---------------------------	---

Inputs	VIDEO/AUX: 210 mV (adjustable)
	MD: 210 mV (adjustable)
	MIC 1, MIC 2: 1.4 mV (10 kohms)
	5.1CH INPUT
	FRONT (L,R): 400 mV REAR (L,R): 400 mV CENTER: 400 mV SUB WOOFER: 400 mV

Outputs	LINE OUT: 280 mV
	SUB WOOFER: 1V
	SPEAKERS: accept speakers of 6 ohms or more
	SURROUND SPEAKERS: accept speakers of 8 ohms to 16 ohms
	CENTER SPEAKER: accept speakers of 8 ohms or more
	PHONES (stereo jack): accepts headphones of 32 ohms or more

Cassette deck section

Track format	4 tracks, 2 channels stereo
Frequency response	CrO ₂ tape: 50 Hz – 16000 Hz Normal tape: 50 Hz – 15000 Hz
Signal-to-noise ratio	60 dB (Dolby B NR ON, CrO ₂ tape peak level)
Recording system	AC bias
Heads	Deck 1: Playback head \times 1 Deck 2: Recording/playback head \times 1, erase head \times 1

Compact disc player section

Laser	Semiconductor laser ($\lambda = 780$ nm)
D-A converter	1 bit dual
Signal-to-noise ratio	85 dB (1 kHz, 0 dB)
Harmonic distortion	0.05 % (1 kHz, 0 dB)
Wow and flutter	Unmeasurable

General

Power requirements	120 V AC, 60 Hz
Power consumption	185 W
Dimensions of main unit (W \times H \times D)	260 \times 329 \times 369 mm (10 ¹ / ₄ \times 13 \times 14 ⁵ / ₈ in.)
Weight of main unit	11.2 kg (24 lbs 11 oz.)

Speaker system SX-NA902

Cabinet type	3 way, bass reflex (magnetic shielded type)
Speakers	Woofers:
	160 mm (6 ³ / ₈ in.) cone type
	Tweeter:
	80 mm (3 ¹ / ₄ in.) cone type
	Super tweeter:
	20 mm (1 ³ / ₁₆ in.) ceramic type
Impedance	6 ohms
Output sound pressure level	87 dB/W/m
Dimensions (W \times H \times D)	240 \times 324 \times 283 mm (9 ¹ / ₂ \times 12 ⁷ / ₈ \times 11 ¹ / ₄ in.)
Weight	5.2 kg (11 lbs 7 oz.)

Specifications and external appearance are subject to change without notice.


BBE SYSTEM

The word "BBE" and the "BBE symbol" are trademarks of BBE Sound, Inc.

Under license from BBE Sound, Inc.

DOLBY NR/DOLBY PRO LOGIC

Manufactured under license from Dolby Laboratories Licensing Corporation.

"DOLBY", the double-D symbol  and "PRO LOGIC" are trademarks of Dolby Laboratories Licensing Corporation.

COPYRIGHT

Please check the laws on copyright relating to recordings from discs, radio or external tape for the country in which the machine is being used.

NOTE

This equipment has been tested and found to comply with the limits for a Class B digital device, pursuant to Part 15 of the FCC Rules. These limits are designed to provide reasonable protection against harmful interference in a residential installation.

This equipment generates, uses, and can radiate radio frequency energy and, if not installed and used in accordance with the instructions, may cause harmful interference to radio communications. However, there is no guarantee that interference will not occur in a particular installation. If this equipment does cause harmful interference to radio or television reception, which can be determined by turning the equipment off and on, the user is encouraged to try to correct the interference by one or more of the following measures:

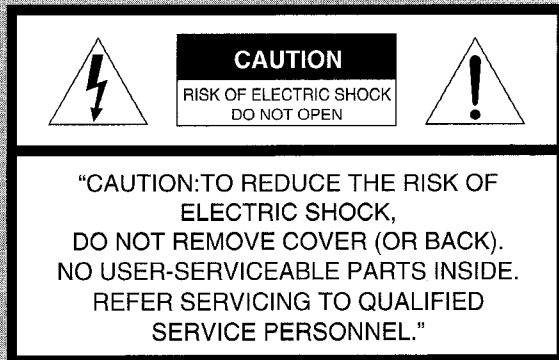
- Reorient or relocate the receiving antenna.
- Increase the separation between the equipment and receiver.
- Connect the equipment into an outlet on circuit different from that to which the receiver is connected.
- Consult the dealer or an experienced radio/TV technician for help.

CAUTION

Modifications or adjustments to this product, which are not expressly approved by the manufacturer, may void the user's right or authority to operate this product.

ADVERTENCIA

PARA REDUCIR EL RIESGO DE INCENDIOS O SACUDIDAS ELECTRICAS, NO EXPONGA ESTE APARATO A LA LLUVIA NI A LA HUMEDAD.



Explicación de los símbolos gráficos:



El símbolo del rayo con punta de flecha, en el interior de un triángulo equilátero, tiene la finalidad de avisar al usuario de la presencia de "tensiones peligrosas" sin aislar en el interior del producto que podrían ser de suficiente magnitud como para constituir un riesgo de sacudida eléctrica para las personas.



El signo de exclamación en el interior de un triángulo equilátero tiene la finalidad de avisar al usuario de la presencia de instrucciones de operación y mantenimiento (reparación) en el material impreso que acompaña al aparato.

Anotación del propietario

Para su conveniencia, anote el número de modelo y el número de serie (los encontrará en el panel trasero de su aparato) en el espacio suministrado más abajo. Menciónelos cuando se ponga en contacto con su concesionario Aiwa en caso de tener dificultades.

N.º de modelo	N.º de serie (N.º de lote)
CX-NMT920	
SX-NA902	
SX-R275	
SX-C605	

PRECAUCIONES

Lea cuidadosa y completamente el manual de instrucciones antes de utilizar la unidad. Asegúrese de guardar el manual de instrucciones para utilizarlo como referencia en el futuro. Todas las advertencias y precauciones del manual de instrucciones y de la unidad deberán cumplirse estrictamente, así como también las sugerencias de seguridad mencionadas más abajo.

Instalación

- 1 Agua y humedad** — No utilice esta unidad cerca del agua como, por ejemplo, cerca de una bañera, una palangana, una piscina o algo similar.
- 2 Calor** — No utilice esta unidad cerca de fuentes de calor, incluyendo salidas de aire caliente, estufas u otros aparatos que generen calor.
No deberá colocarse tampoco en lugares donde la temperatura sea inferior a 5°C o superior a 35°C.
- 3 Superficie de montaje** — Ponga la unidad sobre una superficie plana y nivelada.
- 4 Ventilación** — La unidad deberá situarse donde tenga suficiente espacio libre a su alrededor, para que la ventilación apropiada quede asegurada. Deje un espacio libre de 10 cm por la parte posterior y superior de la unidad, y 5 cm por cada lado.
- No ponga la unidad sobre una cama, una alfombra o superficies similares que podrían tapar las aberturas de ventilación.
- No instale la unidad en una librería, mueble o estantería cerrada herméticamente donde la ventilación no sea adecuada.
- 5 Entrada de objetos y líquidos** — Tenga cuidado de que objetos y líquidos no entren en la unidad por las aberturas de ventilación.
- 6 Carros de mano y soportes** — Cuando ponga o monte la unidad en un soporte o carro de mano, ésta deberá moverse con mucho cuidado.
Las paradas repentinas, la fuerza excesiva y las superficies irregulares pueden hacer que la unidad o el carro de mano se dé vuelta o se caiga.
- 7 Condensación** — En la lente del fonocaptor del reproductor de discos compactos tal vez se forme condensación cuando:
 - La unidad se pase de un lugar frío a uno caliente.
 - El sistema de calefacción se acabe de encender.
 - La unidad se utilice en una habitación muy húmeda.
 - La unidad se enfríe mediante un acondicionador de aire.
 Esta unidad tal vez funcione mal cuando tenga condensación en su interior. En este caso, deje en reposo la unidad durante unas pocas horas y repita de nuevo la operación.
- 8 Montaje en pared o techo** — La unidad no se deberá montar en una pared ni en el techo, a menos que se especifique lo contrario en el manual de instrucciones.



Energía eléctrica

- 1 Fuentes de alimentación** — Conecte solamente esta unidad a las fuentes de alimentación especificadas en el manual de instrucciones, y como está marcado en la unidad.
- 2 Polarización** — Como característica de seguridad, algunas unidades están equipadas con clavijas de alimentación de CA polarizadas, las cuales sólo se pueden insertar de una forma en las tomas de corriente. Si resulta difícil o imposible insertar la clavija de alimentación de CA en una toma de corriente, dé vuelta a la clavija e inténtelo de nuevo. Si sigue sin poder insertar fácilmente la clavija en la toma de corriente, llame a un electricista cualificado para que modifique o reemplace la toma de corriente. Para evitar anular la característica de seguridad de la clavija polarizada, no la inserte a la fuerza en una toma de corriente.

3 Cable de alimentación de CA

- Cuando desconecte el cable de alimentación de CA, sujete la clavija de alimentación de CA y tire de ella. No tire del propio cable.
- Nunca maneje la clavija de alimentación de CA con las manos mojadas porque podría producirse un incendio o una sacudida eléctrica.
- Los cables de alimentación deberán colocarse de forma que no sean doblados excesivamente, pellizcados o pisados. Tenga mucho cuidado con el cable que va de la unidad a la toma de corriente.
- Evite sobrecargar las tomas de CA y los cables de extensión más allá de su capacidad porque esto podría causar un incendio o una sacudida eléctrica.

4 Cable de extensión — Para evitar sacudidas eléctricas, no utilice la clavija de alimentación de CA polarizada con un cable de extensión, ni tampoco en un receptáculo u otra toma de corriente a menos que la clavija polarizada pueda insertarse completamente evitando que sus patillas queden expuestas.

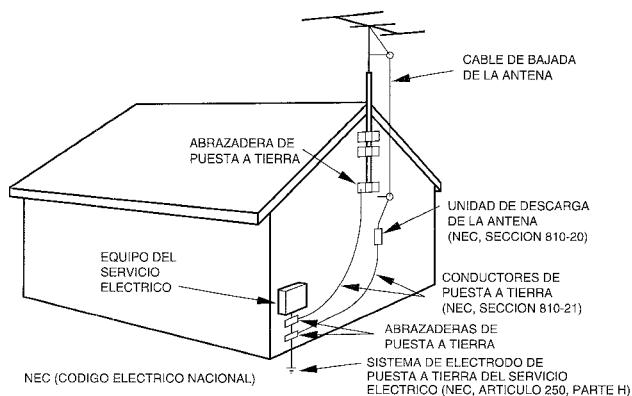
5 Periodos de no utilización — Desenchufe el cable de alimentación de CA de la toma de corriente si la unidad no va a ser utilizada durante varios meses o más. Cuando el cable de alimentación esté conectado, por la unidad continuará circulando una pequeña cantidad de corriente, aunque la alimentación esté desconectada.

Antena exterior

1 Líneas de alta tensión — Cuando conecte una antena exterior, asegúrese de colocarla lejos de las líneas de alta tensión.

2 Conexión a tierra de la antena exterior — Asegúrese de que el sistema de la antena esté conectado correctamente a tierra para proporcionar así una protección contra el exceso inesperado de tensión o contra la acumulación de electricidad estática. El artículo 810 del Código Eléctrico Nacional, ANSI/NFPA70, proporciona información acerca de la puesta a tierra apropiada del mástil de la antena, la estructura de apoyo y el cable de bajada a la unidad de descarga de la antena, así como también del tamaño de la unidad de puesta a tierra, la conexión de los terminales de puesta a tierra y los requisitos para conectar a tierra los mismos terminales.

Puesta a tierra de la antena según el Código Eléctrico Nacional



Mantenimiento

Limpie la unidad sólo como se recomienda en el manual de instrucciones.

Daños que necesitan ser reparados

Haga que un técnico en reparaciones cualificado le repare las unidades si:

- El cable de alimentación de CA o su clavija está estropeado.
- Objetos extraños o líquidos han entrado en la unidad.
- La unidad ha estado expuesta a la lluvia o al agua.
- La unidad no parece funcionar normalmente.
- La unidad muestra un cambio considerable en sus prestaciones.
- La unidad se ha caído o la caja se ha estropeado.

NO TRATE DE REPARAR LA UNIDAD USTED MISMO.

INDICE

PRECAUCIONES	1
PREPARATIVOS	
INSTALACION	3
CONTROL REMOTO	5
ANTES DE LA OPERACION	6
SONIDO	
AJUSTES DE AUDIO	7
FUNCION DE REPRODUCCION CON PATRON DE RITMO (BEAT MASTER)	7
ECUALIZADOR GRAFICO	8
DSP SURROUND	10
RECEPCION DE LA RADIO	
SINTONIZACION MANUAL	11
PREAJUSTE DE EMISORAS	12
REPRODUCCION DE CINTAS	
OPERACIONES BASICAS	13
REPRODUCCION CONTINUA	14
REPRODUCCION DE DISCOS COMPACTOS	
OPERACIONES BASICAS	15
REPRODUCCION PROGRAMADA	16
GRABACION	
GRABACION BASICA	17
COPIADO MANUAL DE UNA CINTA	18
COPIADO DE TODA LA CINTA	18
GRABACION CON EDICION AI	19
GRABACION CON EDICION PROGRAMADA	20
DOLBY PRO LOGIC	
AJUSTE DEL EQUILIBRIO DE SONIDO DE LOS ALTAVOCES	21
REPRODUCCION CON DOLBY PRO LOGIC	22
KARAOKE	
MEZCLA MICROFONICA	23
PROGRAMA DE KARAOKE	24
RELOJ Y TEMPORIZADOR	
PUESTA EN HORA DEL RELOJ	25
AJUSTE DEL TEMPORIZADOR PARA DORMIR	25
AJUSTE DEL TEMPORIZADOR	26
OTRAS CONEXIONES	
CONEXION DE UN EQUIPO OPCIONAL	27
ESCUCHA DE FUENTES DE SONIDO EXTERNAS	27
CONEXION DE UN REPRODUCTOR DVD	28
GENERALIDADES	
CUIDADOS Y MANTENIMIENTO	29
GUIA PARA LA SOLUCION DE PROBLEMAS	29
ESPECIFICACIONES	30
INDICE DE LAS PARTES	Cubierta trasera

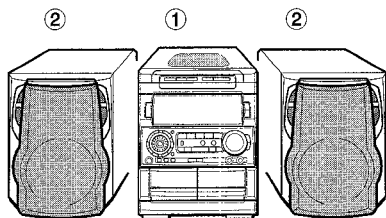
E

INSTALACION

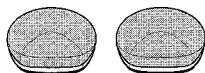
El sistema DOLBY PRO LOGIC, la característica más destacada de este sistema, le proporciona en su propio hogar un sonido de múltiples canales.

Complete los ajustes y las conexiones de la unidad principal, los altavoces suministrados, su televisor y su equipo de vídeo de acuerdo con el procedimiento siguiente.

Compruebe su sistema y accesorios



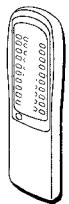
- ① CX-NMT920 Sintonizador, amplificador, platina de casete y reproductor de discos compactos estéreo
- ② SX-NA902 Altavoces delanteros



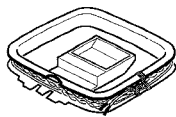
SX-R275 Altavoces de sonido ambiental



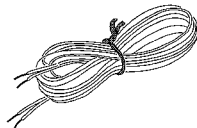
SX-C605 Altavoz central



Control remoto



Antena de AM

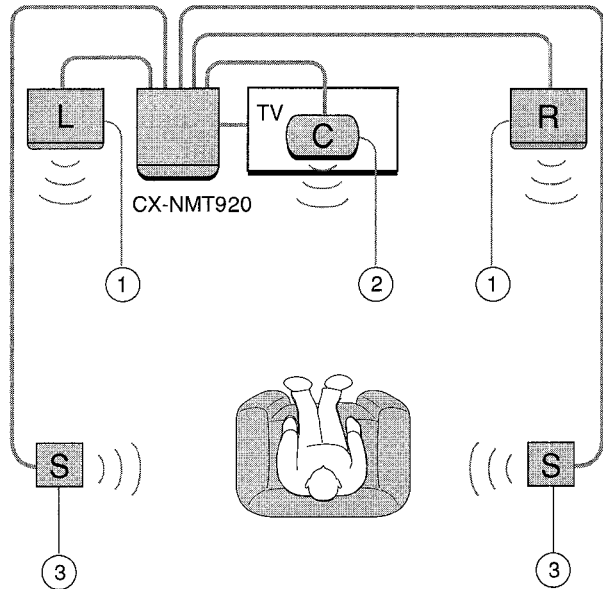


Antena de FM

Manual de instrucciones, etc.

UBICACION DE LOS ALTAVOCES

Para poder lograr los mejores efectos que puedan obtenerse con el sistema DOLBY PRO LOGIC, resulta importante colocar apropiadamente los altavoces. Consulte la ilustración siguiente para encontrar la mejor ubicación en su habitación.



① Altavoces delanteros

② Altavoz central

Póngalo en medio de los dos altavoces delanteros. Además, si conecta un televisor a la unidad, ponga este altavoz encima o debajo del televisor.

③ Altavoces de sonido ambiental

Ponga los altavoces de sonido ambiental directamente a los lados o un poco por detrás de la zona de escucha. Alineelos horizontalmente, a 1 metro aproximadamente por encima de la altura de los oídos.

NOTA

- Cuando DOLBY PRO LOGIC, el sistema SURROUND y 5.1 CH (página 28) estén desactivados no se oirá sonido del altavoz central ni de los altavoces de sonido ambiental.
- El altavoz central sólo sonará cuando DOLBY PRO LOGIC o 5.1 CH (página 28) esté activado.

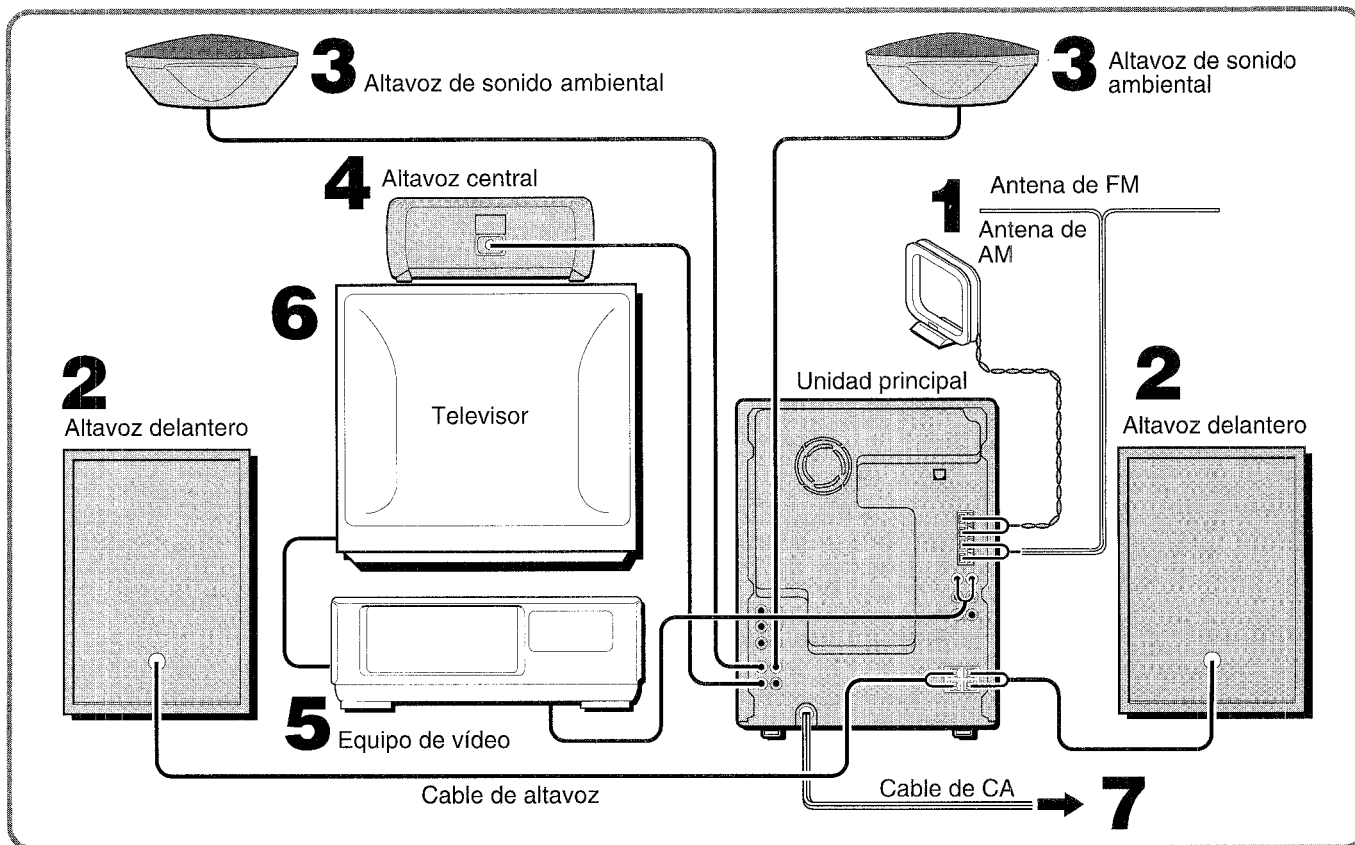
CONEXIONES

Antes de conectar el cable de alimentación de CA

La tensión nominal de su unidad, mostrada en el panel trasero, es de 120 V CA. Asegúrese de que la tensión nominal coincida con la tensión empleada en su localidad.

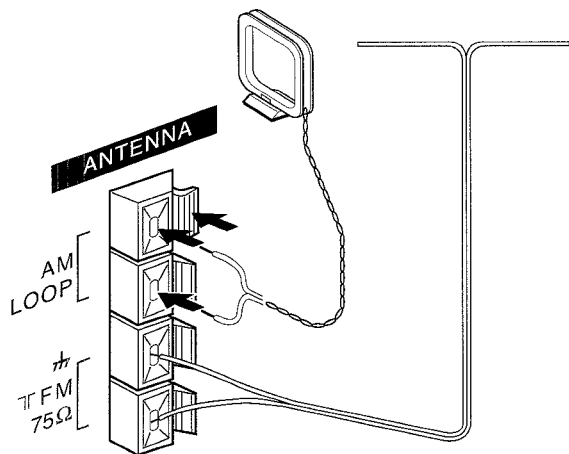
IMPORTANTE

Conecte primero los altavoces, las antenas y todos los demás equipos opcionales. Finalmente conecte el cable de alimentación de CA.



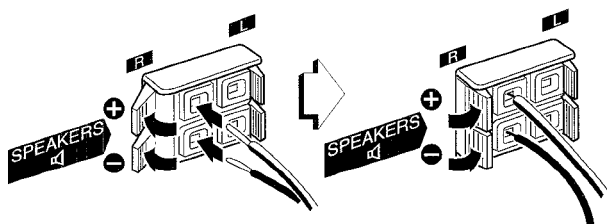
1 Conecte las antenas suministradas.

Conecte la antena de FM a los terminales **FM 75 Ω**, y la antena de AM a los terminales **AM LOOP**.



2 Conecte los altavoces delanteros.

El altavoz colocado a la derecha de la unidad según ésta está enfrente de usted es el "altavoz derecho" y el otro es el "altavoz izquierdo".

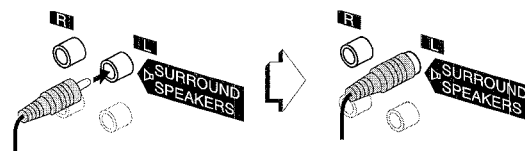


Los cables con las franjas blancas deberán conectarse a los terminales **+**, y los demás cables a los terminales **-**.

3 Conecte los altavoces de sonido ambiental.

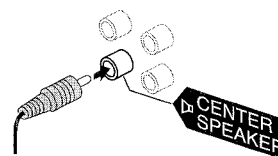
Conecte los cables de los altavoces de sonido ambiental a los terminales **SURROUND SPEAKERS**.

No existen diferencias entre los altavoces de sonido ambiental. Ambos altavoces podrán conectarse como altavoz derecho (R) o izquierdo (L).



4 Conecte el altavoz central.

Conecte el cable del altavoz central al terminal **CENTER SPEAKER**.



5 Conecte el equipo de vídeo.

Conecte la toma **VIDEO/AUX** de esta unidad a la toma de salida de audio del equipo de vídeo empleando un cable de conexión de audio opcional.

6 Conecte el televisor al equipo de vídeo.

Consulte el manual de instrucciones del equipo conectado para tener más detalles.

7 Conecte el cable de alimentación de CA a una toma de CA.

Para posicionar las antenas

Antena de FM:

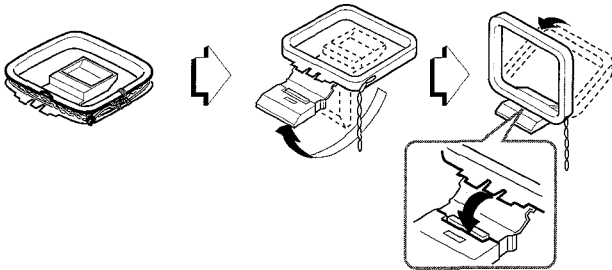
Extienda horizontalmente esta antena formando una T y fije sus extremos en la pared.

Antena de AM:

Póngala para obtener la mejor recepción posible.

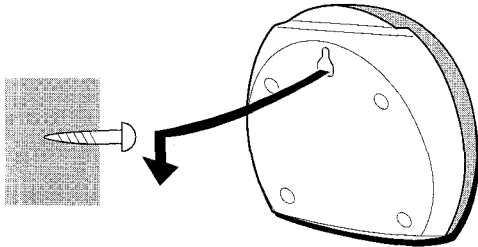
Para poner la antena de AM en posición vertical sobre una superficie

Fije el gancho en la ranura.



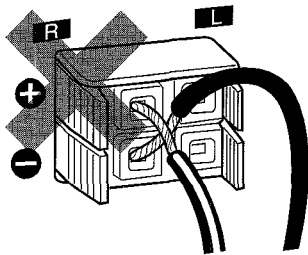
Para montar los altavoces de sonido ambiental en la pared

Monte cada altavoz en un lugar que pueda aguantar su peso.



NOTA

- Asegúrese de conectar correctamente los cables de los altavoces. Las conexiones mal hechas podrían causar cortocircuitos en los terminales **SPEAKERS**.

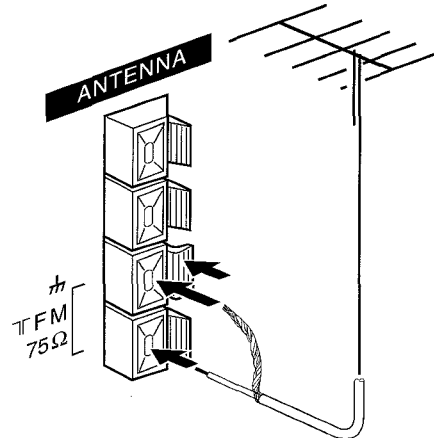


- No deje objetos que generen magnetismo, tales como tarjetas de crédito, cerca de los altavoces porque podrían estropearse.
- No ponga la antena de FM cerca de objetos metálicos o rieles de cortinas.
- No ponga la antena de AM cerca de otros equipos opcionales, el propio sistema estéreo, el cable de alimentación de CA o los cables de los altavoces, porque se captarán ruidos.
- No desbobine el cable de la antena de AM.

CONEXION DE UNA ANTENA EXTERIOR

Para obtener la mejor recepción de FM se recomienda utilizar una antena exterior.

Conecte la antena exterior a los terminales **FM 75 Ω**.

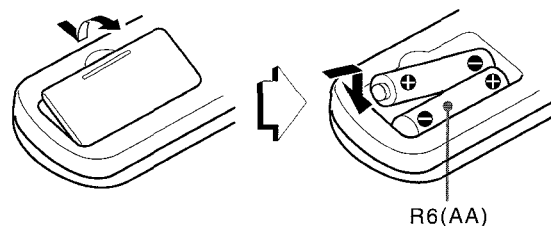


Para conectar otro equipo opcional → páginas 27 y 28.

CONTROL REMOTO

Inserción de las pilas

Quite la tapa de las pilas, ubicada en la parte trasera del control remoto, e inserte dos pilas R6 (tamaño AA).



Cuándo reemplazar las pilas

La distancia máxima de operación entre el control remoto y el sensor de señales de la unidad principal deberá ser de 5 metros aproximadamente. Cuando disminuya esta distancia, reemplace las pilas por otras nuevas.

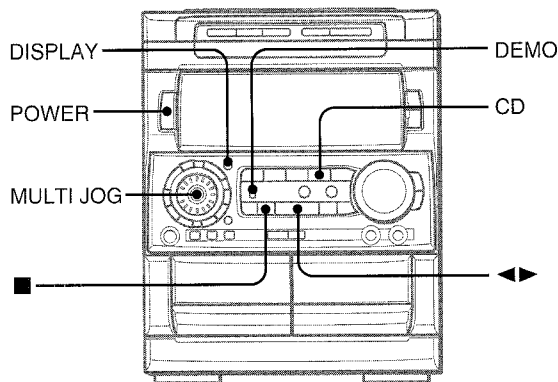
Utilización del control remoto

Las instrucciones descritas en este manual se refieren principalmente a los botones de la unidad principal. Los botones del control remoto con los mismos nombres pueden usarse de la misma manera que los de la unidad principal.

NOTA

- Si el control remoto no va a ser utilizado durante mucho tiempo, quite las pilas para evitar las posibles fugas de electrólito.
- El control remoto quizá no funcione correctamente cuando:
 - La línea de visión entre el control remoto y el sensor de señales del interior del visualizador esté expuesta a una luz intensa como, por ejemplo, la luz del sol.
 - Otros controles remotos (los de un televisor, etc.) estén siendo utilizados cerca de esta unidad.

ANTES DE LA OPERACION



Para conectar la alimentación

Pulse uno de los botones de función (**TAPE**, **TUNER**, **VIDEO/AUX**, **CD**, **MD**). La reproducción de la cinta o del disco insertado empezará o se recibirá la emisora previamente sintonizada (función de reproducción directa).

También podrá utilizarse **POWER**.

Cuando se encienda la unidad, el compartimiento de los discos tal vez se abra y se cierre para reponer la unidad.

Para desconectar la alimentación

Pulse **POWER**.

Ventanillas parpadeantes

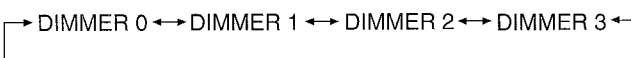
Las ventanillas de la parte superior de la unidad y de las platinas de casete se encenderán o parpadearán mientras la unidad esté siendo encendida.

Para apagar la luz de la ventanilla superior, pulse **■** mientras pulsa **CD**. Para volver a encenderla, repita el procedimiento de arriba.

La luz de las platinas de casete no puede apagarse.

Para reducir la intensidad de iluminación del visualizador

- 1 Pulse dos veces **DISPLAY** para que se visualice "DIMMER".
- 2 Antes de que pasen 4 segundos, gire **MULTI JOG** para seleccionar el modo del regulador de intensidad de luz de la forma siguiente:



DIMMER 0: La visualización normal.

DIMMER 1: La iluminación del visualizador es menos intensa que la normal.

DIMMER 2: La iluminación del visualizador es menos intensa que la de DIMMER 1.

DIMMER 3: La iluminación del visualizador es menos intensa que la de DIMMER 2, y el analizador de espectro y la iluminación de los botones se apagan.

Para cambiar la visualización del analizador de espectro

Se pueden mostrar 3 patrones de analizador de espectro.

Pulse una vez **DISPLAY**, y antes de que pasen 4 segundos gire **MULTI JOG** para seleccionar la visualización del analizador de espectro deseada.

Demostración del juego

Cuando se conecte el cable de alimentación de CA, el visualizador hará una demostración del juego. Cuando se conecte la alimentación, la demostración del juego será anulada por la visualización de la operación. Cuando se desconecte la alimentación, la demostración del juego se repondrá.

Para cancelar la demostración del juego

Pulse **DEMO**. Para reactivar la demostración del juego, pulse de nuevo **DEMO**.

Para jugar con el juego

- 1 Pulse **DEMO** para que se visualice la demostración del juego.
- 2 Pulse **◀▶**.
En el visualizador empiezan a moverse tres números.
- 3 Pulse una vez **■**.
El número del lado izquierdo se para.
- 4 Pulse dos veces **■** para detener los dos números restantes.
 - Podrá disfrutar de la demostración del juego con sonido del juego pulsando **DEMO** mientras la alimentación está conectada.

Puntuación:

Al empezar el juego dispondrá de 20 puntos.

Si todos los números son iguales se añadirán 50 puntos a la puntuación.

Si no son iguales se le restará un punto.

Si los puntos ganados llegan a 9999, usted gana.

Si los puntos llegan a 0, usted pierde.

Para reponer la demostración del juego

Pulse **DEMO** dos veces, y luego pulse **◀▶**. El juego empieza de nuevo.

Para silenciar el sonido del juego

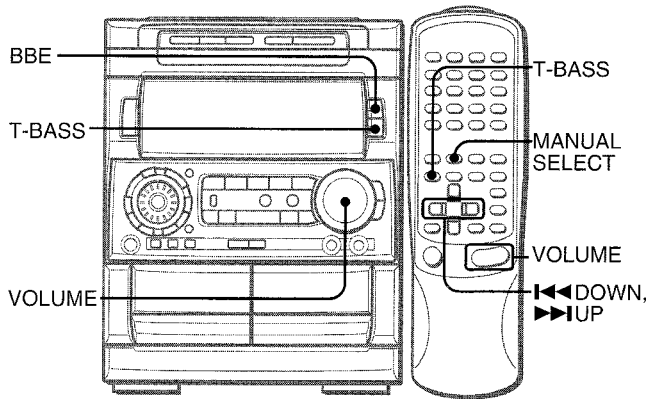
Cancele una vez la demostración del juego pulsando **DEMO**. Luego, mantenga pulsado **DEMO** hasta que se visualice "OFF".

Para reponer el sonido del juego, siga pulsando **DEMO** hasta que se visualice "ON".

NOTA

- Mientras juega, **■** y **◀▶** sólo se encuentran disponibles para el juego. Cancele el juego para utilizar estos botones en funciones tales como la reproducción de un disco compacto, etc.
- Para cambiar el sonido del juego, consulte "FUNCION DE REPRODUCCION CON PATRON DE RITMO" en la página 7.
- Durante la demostración del juego, algunos indicadores no relacionados con la operación actual se encienden en el visualizador.

AJUSTES DE AUDIO



CONTROL DE VOLUMEN

Gire **VOLUME** de la unidad principal o pulse **VOLUME** del control remoto.

El nivel de sonido se visualiza mediante un número del 0 al 50 (MAX).

El nivel de sonido se ajusta automáticamente a 20 cuando se desconecta la alimentación estando el nivel ajustado en 21 o más.

Para cambiar el equilibrio de los canales derecho/izquierdo

Pulse **MANUAL SELECT** del control remoto. L/R se visualizará durante 2 segundos. Pulse **◀◀ DOWN** o **▶▶ UP** del control remoto 2 segundos antes de que pasen estos 2 segundos.

- El nivel DOLBY PRO LOGIC (página 21) y DOLBY DIGITAL SURROUND (página 28) de los altavoces delanteros cambiará también.

SISTEMA BBE

El sistema BBE realza la claridad del sonido de alta frecuencia. También mejora la función Karaoke para que su voz suene más clara y agradable.

Pulse BBE.

Cada vez que lo pulse, el nivel cambiará. Seleccione uno de los tres niveles o la posición de apagado, lo que usted prefiera.



- El sistema BBE no funcionará mientras esté seleccionado 5.1 CH (página 28).

SISTEMA SUPER T-BASS

El sistema T-BASS realza el realismo del sonido de baja frecuencia.

Pulse T-BASS.

Cada vez que lo pulse, el nivel cambiará. Seleccione uno de los tres niveles o la posición de apagado, lo que usted prefiera.

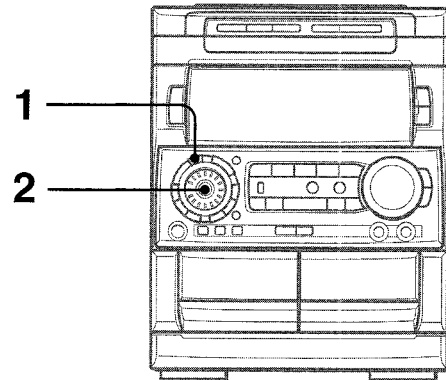


NOTA

El sonido de baja frecuencia tal vez se distorsione cuando se utilice el sistema T-BASS con un disco o una cinta cuyo sonido de baja frecuencia haya sido realzado originalmente. En este caso, cancele el sistema T-BASS.

FUNCION DE REPRODUCCION CON PATRON DE RITMO (BEAT MASTER)

Podrá disfrutar de la música de discos compactos, cintas, etc. mezclada con patrones de ritmo programados en la unidad.



PARA SELECCIONAR UN PATRON DE RITMO

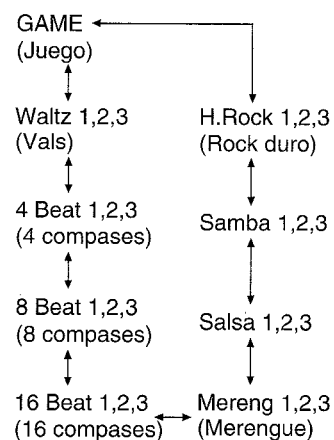
1 Pulse RHYTHM.

Se visualizará uno de los patrones de ritmo.

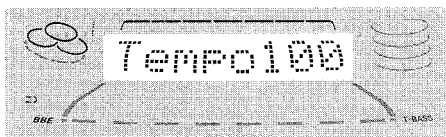


2 Gire MULTI JOG para seleccionar el patrón de ritmo deseado.

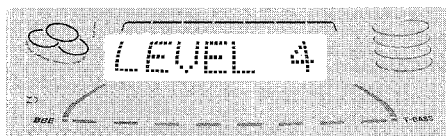
El patrón de ritmo se visualizará cíclicamente de la forma siguiente:



Para cambiar el tempo del patrón de ritmo seleccionado
 Pulse una vez **RHYTHM** mientras se visualiza el patrón de ritmo seleccionado, y luego gire **MULTI JOG** para seleccionar el tempo del ritmo.
 El tempo del ritmo puede cambiarse de 90 a 160.



Para cambiar el nivel de sonido del patrón de ritmo seleccionado
 Pulse dos veces **RHYTHM** mientras se visualiza el patrón de ritmo seleccionado, y luego gire **MULTI JOG** para seleccionar el nivel de sonido.
 El nivel de sonido puede cambiarse de 1 a 4.



Para cancelar la función de reproducción con patrón de ritmo
 Pulse **MULTI JOG**.

Para volver a activar la función de reproducción con patrón de ritmo
 Pulse de nuevo **MULTI JOG**. El patrón de ritmo seleccionado la última vez volverá a activarse.

NOTA

- Cuando se seleccione el patrón GAME, el tempo del ritmo y el nivel de sonido del ritmo no podrán cambiarse.
- La función de reproducción con ritmo afecta a la salida de señales desde la toma LINE OUT.

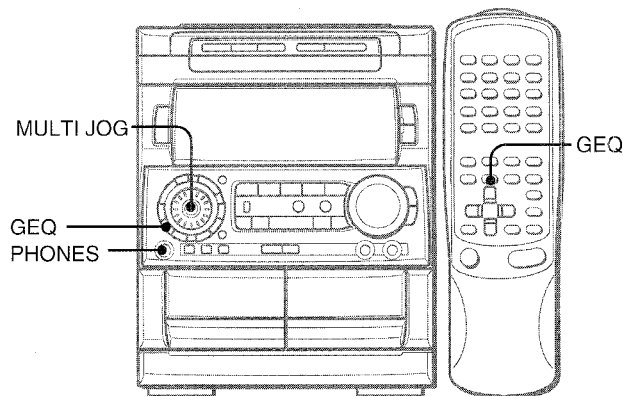
Los derechos de autor de estos datos de onda de voz incorporados en este producto son propiedad de Yamaha Corporation, y nosotros tenemos licencia de Yamaha Corporation para poder utilizar tales datos.

ECUALIZADOR GRAFICO

SELECCION DE LA CURVA DE ECUALIZACION PROGRAMADA

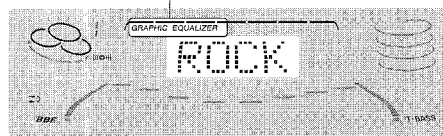
Esta unidad ofrece las 5 curvas de ecualización diferentes siguientes:

- ROCK:** Sonido potente que realza los agudos y los graves.
- POP:** Más presencia en las voces y en la gama de registro medio.
- JAZZ:** Frecuencias bajas acentuadas para música tipo jazz.
- CLASSIC:** Sonido enriquecido con graves profundos y agudos finos.
- LATIN:** Frecuencias más altas acentuadas para música latina.

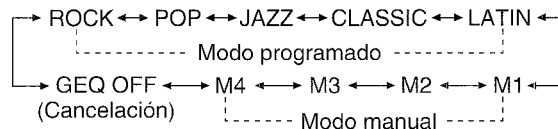


Pulse **GEQ**, y antes de que pasen 4 segundos gire **MULTI JOG** para seleccionar una de las curvas de ecualización programadas.

“GRAPHIC EQUALIZER” se enciende.



“GRAPHIC EQUALIZER” aparece (excepto “GEQ OFF”) y el modo GEQ se visualiza cíclicamente de la forma siguiente:



Para visualizar el modo GEQ actual

Pulse **GEQ**. El modo actual se visualiza durante 4 segundos.

Para cancelar el modo seleccionado

Pulse **GEQ**, y antes de que pasen 4 segundos gire **MULTI JOG** para seleccionar “GEQ OFF”. “GRAPHIC EQUALIZER” desaparece.

Utilización de auriculares

Conecte auriculares con clavija estéreo estándar de 6,3 mm Ø a la toma **PHONES**.

Mientras los auriculares estén conectados no saldrá sonido de los altavoces.

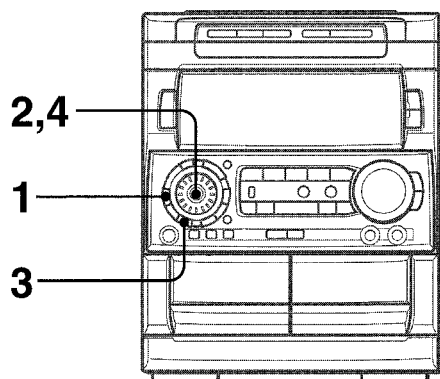
- Cuando los auriculares estén conectados, el sistema SURROUND, DOLBY PRO LOGIC y 5.1 CH (página 28) no funcionarán.

Ajuste del sonido durante la grabación

El volumen de salida y el tono (excepto BBE y la función de reproducción con patrón de ritmo) de los altavoces o auriculares podrá cambiarse libremente sin afectar en absoluto a la grabación.



AJUSTE MANUAL DE UNA CURVA DE ECUALIZACION NUEVA

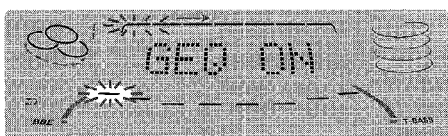


La curva de ecualización puede personalizarse según sus preferencias.

1 Pulse GEQ LOW.

El indicador del nivel de la frecuencia más baja parpadea durante 4 segundos.

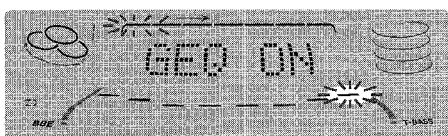
2 Antes de que pasen 4 segundos, gire MULTI JOG para ajustar el nivel de la frecuencia más baja.



3 Pulse GEQ HIGH.

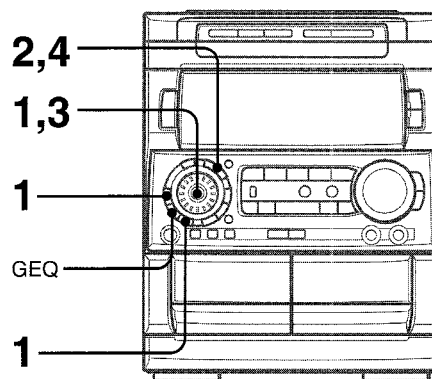
El indicador del nivel de la frecuencia más alta parpadea durante 4 segundos.

4 Antes de que pasen 4 segundos, gire MULTI JOG para ajustar el nivel de la frecuencia más alta.



Los indicadores de nivel de frecuencia entre la más baja y la más alta se ajustan en conformidad.

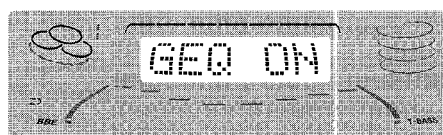
MEMORIZACION DE CURVAS DE ECUALIZACION NUEVAS



Se puede almacenar un máximo de 4 curvas de ecualización personalizadas como modos manuales M1 - M4.

1 Ajuste una curva de ecualización nueva con HIGH, LOW y MULTI JOG.

Consulte "AJUSTE MANUAL DE UNA CURVA DE ECUALIZACION NUEVA". La curva creada se visualizará durante 4 segundos.



2 Pulse ENTER antes de que pasen 4 segundos.

"M 1" parpadeará en el visualizador durante 4 segundos.



- Si este paso no se completa antes de que pasen 4 segundos, pulse primero **GEQ** para visualizar "GEQ ON" y luego pulse **ENTER** antes de que pasen 4 segundos.

3 Gire MULTI JOG antes de que pasen 4 segundos para seleccionar uno de los modos manuales M1 - M4 donde almacenar la curva.

4 Pulse ENTER antes de que pasen 4 segundos.

La nueva curva de ecualización se almacena.

Para seleccionar la curva de ecualización almacenada Pulse **GEQ**, y antes de que pasen 4 segundos gire **MULTI JOG** para seleccionar uno de los modos manuales M1 - M4.

CUIDADOS Y MANTENIMIENTO

El mantenimiento y el cuidado ocasional de la unidad y del software resultan necesarios para optimizar las prestaciones de su unidad.

Para limpiar la caja

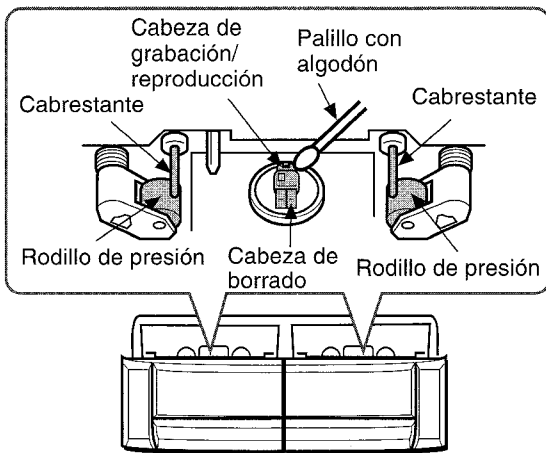
Utilice un paño blando y seco.

Si las superficies están muy sucias, utilice un paño suave humedecido un poco en una solución de detergente suave. No utilice disolventes fuertes tales como alcohol, bencina o diluyente porque éstos podrían estropear el acabado de la unidad.

Para limpiar las cabezas y los puntos por donde pasa la cinta

Después de cada 10 horas de funcionamiento, limpie las cabezas y los puntos por donde pasa la cinta con un casete de limpieza de cabezas o un palillo con algodón humedecido con líquido de limpieza o alcohol desnaturalizado. (Estos juegos de limpieza pueden adquirirse en los comercios del ramo.)

Cuando limpie con un palillo con algodón, limpie la cabeza de grabación/reproducción (platina 2 solamente), la cabeza de borrado (platina 2 solamente), los cabrestantes y los rodillos de presión.



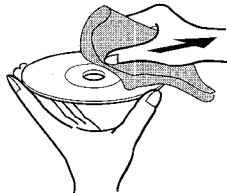
Después de limpiar las cabezas y los puntos por donde pasa la cinta con un casete de limpieza de cabezas que emplee líquido o un palillo con algodón humedecido en líquido de limpieza, espere hasta que las partes limpiadas estén completamente secas antes de introducir las cintas.

Para desmagnetizar las cabezas

Las cabezas se magnetizan después de utilizarlas durante mucho tiempo. Esto puede reducir la gama de salida de las cintas grabadas y aumentar el ruido. Después de 20 a 30 horas de utilización, desmagnetice las cabezas con un desmagnetizador de venta en el comercio del ramo.

Cuidado de los discos

• Cuando un disco esté sucio, límpielo pasando un paño de limpieza desde el centro hacia afuera.



• Después de reproducir un disco, guárdelo en su caja. No deje los discos en lugares calientes o húmedos.

Cuidados de las cintas

- Guarde las cintas en sus cajas después de utilizarlas.
- No deje las cintas cerca de imanes, motores, televisores o cualquier otra fuente de magnetismo. Esto reducirá la calidad del sonido y causará ruidos.
- No exponga cintas a la luz directa del sol, ni las deje en el interior de un automóvil estacionado bajo la luz directa del sol.

GUÍA PARA LA SOLUCIÓN DE PROBLEMAS

Si la unidad no funciona como se describe en este manual de instrucciones, compruebe la guía siguiente:

GENERALIDADES

No hay sonido.

- ¿Está bien conectado el cable de alimentación de CA?
- ¿Hay alguna conexión mal hecha? (→ página 4)
- Puede haber un cortocircuito en los terminales de los altavoces.
 - Desconecte el cable de alimentación de CA y corrija las conexiones de los altavoces.
- ¿Se ha pulsado un botón de función equivocado?

Sólo sale sonido de un altavoz.

- ¿Está el otro altavoz desconectado?

La salida de sonido no es estéreo.

- ¿Está activada la función de Karaoke? (→ página 23)

Se produce una visualización errónea o un mal funcionamiento.

→ Vuelva a ajustar la unidad como se indica más abajo.

SECCION DEL SINTONIZADOR

Hay un ruido de estática constante en forma de onda.

- ¿Está conectada correctamente la antena? (→ página 5)
- ¿Es débil la señal?
 - Conecte una antena exterior.

La recepción tiene interferencias o el sonido está distorsionado.

- ¿Capta el sistema ruidos externos o distorsión de múltiples trayectorias?
 - Cambie la orientación de la antena.
 - Separe la unidad de otros aparatos eléctricos.

SECCION DE LA PLATINA

La cinta no se mueve.

- ¿Está la platina 2 en el modo de pausa? (→ página 13)

El sonido está desequilibrado o no alcanza la altura suficiente.

- ¿Está sucia la cabeza de reproducción? (→ página 29)

No es posible grabar.

- ¿Está rota la lengüeta de prevención contra borrado? (→ página 14)
- ¿Está sucia la cabeza de grabación? (→ página 29)

No es posible borrar la grabación.

- ¿Está sucia la cabeza de borrado? (→ página 29)
- ¿Está utilizando una cinta de metal?

No se emite sonido de alta frecuencia.

- ¿Está sucia la cabeza de grabación/reproducción? (→ página 29)
- ¿Está reproduciéndose una cinta grabada sin Dolby NR con el sistema Dolby NR activado? (→ página 17)

SECCION DEL REPRODUCTOR DE DISCOS COMPACTOS

El reproductor de discos compactos no puede reproducir.

- ¿Está bien puesto el disco? (→ página 15)
- ¿Está sucio el disco? (→ página 29)
- ¿Afecta la condensación a la lente?
 - Espere una hora aproximadamente y pruebe otra vez.

Para reajustar la unidad

Si se produce alguna condición extraña en el visualizador o en las platinas, reajuste la unidad de la forma siguiente:

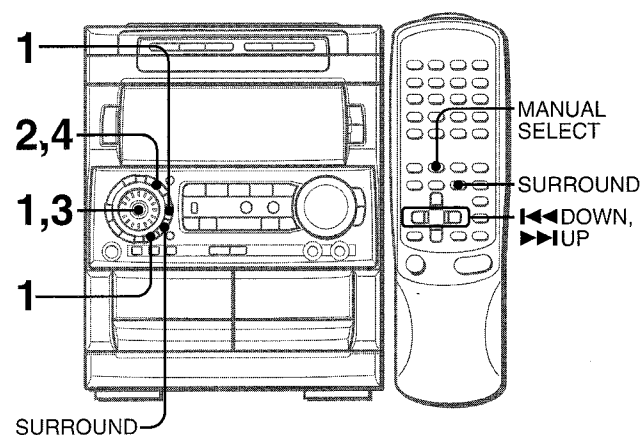
- 1 Pulse **POWER** para desconectar la alimentación.
- 2 Pulse **POWER** para conectar la alimentación mientras pulsa **CLEAR**. Todo lo que haya sido almacenado en la memoria después de haber adquirido la unidad se borrará.

Si no puede desconectarse la alimentación en el paso 1 debido a algún mal funcionamiento, reajuste la unidad desconectando el cable de alimentación de CA y conectándolo de nuevo. Luego ejecute el paso 2.

SINTONIZACION MANUAL

MEMORIZACION DEL NUEVO SONIDO DSP SURROUND

Se puede memorizar un máximo de 4 sonidos DSP SURROUND como modos manuales M1 - M4.



1 Ajuste un nuevo sonido DSP SURROUND con DELAY, EFFECT y MULTI JOG.

Consulte "AJUSTE MANUAL DE UN NUEVO SONIDO DSP SURROUND".

2 Pulse ENTER antes de que pasen 4 segundos.

"M1" parpadeará en el visualizador.



- Si este paso no se completa antes de que pasen 4 segundos, pulse primero **SURROUND** para visualizar "DSP ON" y luego pulse **ENTER** antes de que pasen 4 segundos.

3 Antes de que pasen 4 segundos, gire MULTI JOG para seleccionar uno de los modos manuales M1 - M4.

4 Pulse ENTER antes de que pasen 4 segundos.

El nuevo sonido DSP SURROUND se memorizará.

Para seleccionar el sonido DSP SURROUND memorizado
Pulse **SURROUND**, y antes de que pasen 4 segundos gire **MULTI JOG** para seleccionar uno de los modos manual M1 - M4.

Para ajustar el volumen de los altavoces de sonido ambiental

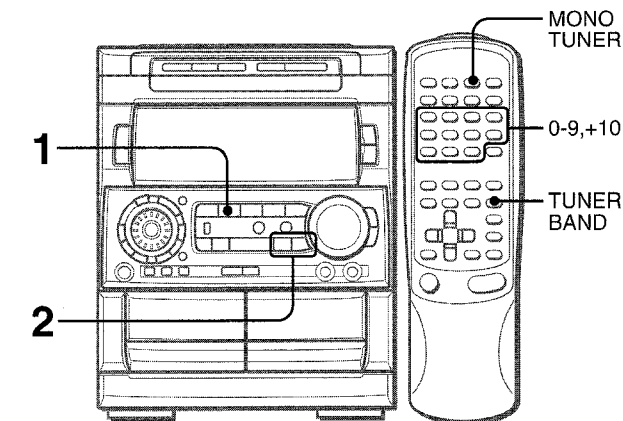
Pulse dos o tres veces **MANUAL SELECT** del control remoto. "S-L" o "S-R" se visualizará durante 2 segundos. Pulse **DOWN** o **UP** del control remoto antes de que pasen estos 2 segundos.

- El nivel DOLBY PRO LOGIC (página 21) y DOLBY DIGITAL SURROUND (página 28) de los altavoces de sonido ambiental cambiará también.

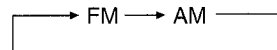
NOTA

El modo SURROUND se cancelará cuando:

- se cambie el nivel de ECHO.
- se active DOLBY PRO LOGIC.
- los auriculares estén enchufados.
- se seleccione 5.1 ch (página 28).



1 Pulse repetidamente TUNER/BAND para seleccionar la banda deseada.



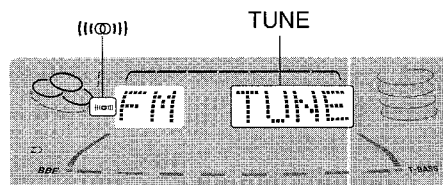
Cuando se pulse **TUNER/BAND** mientras la alimentación esté desconectada, la alimentación se conectará directamente.

2 Pulse ◀◀ DOWN o ▶▶ UP para seleccionar una emisora.

Cada vez que pulse el botón, la frecuencia cambiará.

Cuando se reciba una emisora, "TUNE" se visualizará durante 2 segundos.

Durante la recepción estéreo por FM se visualizará ((◻◻)).



Para buscar rápidamente una emisora (búsqueda automática)

Mantenga pulsado **DOWN** o **UP** hasta que la frecuencia empiece a cambiar rápidamente. Después de sintonizar una emisora, la búsqueda parará.

Para detener manualmente la búsqueda automática, pulse **DOWN** o **UP**.

- La búsqueda automática quizá no pare en emisoras cuyas señales sean muy débiles.

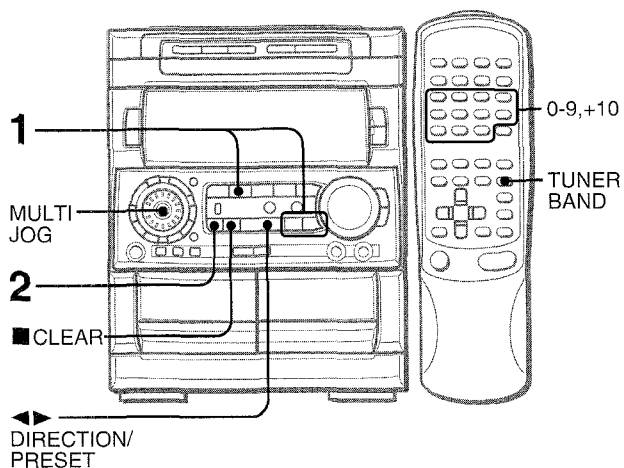
Cuando una radiodifusión estéreo por FM tenga ruido

Pulse **MONO TUNER** del control remoto para que "MONO" aparezca en el visualizador.

El ruido se reducirá, pero la recepción será mono.

Para reponer la recepción estéreo, pulse **MONO** para que desaparezca "MONO".

PREAJUSTE DE EMISORAS

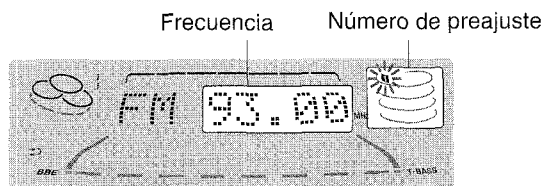


Esta unidad puede almacenar un total de 32 emisoras. Cuando almacene una emisora, a esa emisora se le asignará un número de preajuste. Utilice el número de preajuste para sintonizar directamente una emisora preajustada.

1 Pulse TUNER/BAND para seleccionar una banda, y pulse ◀◀ DOWN o ▶▶ UP para seleccionar una emisora.

2 Pulse ■ SET para almacenar la emisora.

A las emisoras de cada banda se les asigna un número de preajuste en orden consecutivo empezando por el 1.



3 Repita los pasos 1 y 2.

La siguiente emisora no se almacenará si ya se ha almacenado un total de 32 emisoras de preajuste de todas las bandas.

SINTONIZACION MEDIANTE NUMERO DE PREAJUSTE

Utilice el control remoto para seleccionar directamente el número de preajuste.

1 Pulse BAND para seleccionar una banda.

2 Pulse los botones numerados 0-9 y +10 para seleccionar un número de preajuste.

Ejemplo:

Para seleccionar el número de preajuste 20, pulse +10, +10 y 0.

Para seleccionar el número de preajuste 15, pulse +10 y 5.

Selección de un número de preajuste en la unidad principal

Pulse **TUNER BAND** para seleccionar una banda. Luego, pulse repetidamente ◀▶ **DIRECTION/PRESET** o gire **MULTI JOG**. Cada vez que pulse ◀▶ **DIRECTION/PRESET** se seleccionará el siguiente número más alto.

Para borrar una emisora preajustada

Seleccione el número de preajuste de la emisora que vaya a borrar. Luego, pulse ■ **CLEAR**, y pulse ■ **SET** antes de que pasen 4 segundos.

Los números de preajuste superiores de todas las demás emisoras de la banda disminuirán también en uno.

Para cambiar el intervalo de sintonización de AM

El ajuste por omisión del intervalo de sintonización de AM es de 10 kHz/paso. Si utiliza esta unidad en una zona donde el sistema de asignación de frecuencias sea de 9 kHz/paso, cambie el intervalo de sintonización.

Pulse **POWER** mientras pulsa **TUNER BAND**.

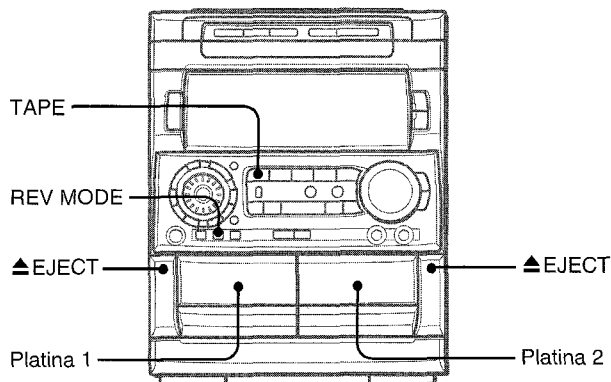
Para reponer el intervalo, repita este procedimiento.

NOTA

Cuando se cambie el intervalo de sintonización de AM, todas las emisoras preajustadas se borrarán. Las emisoras preajustadas tendrán que ajustarse de nuevo.

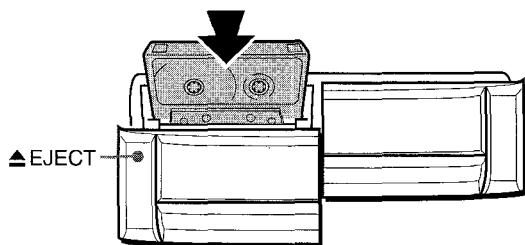
OPERACIONES BASICAS

INSERCIÓN DE CINTAS



- En la platina 1, las cintas se reproducen siempre por ambas caras.
- En la platina 2, podrá seleccionar un modo de inversión para reproducir una o dos caras.
- Utilice cintas tipo I (normales), tipo II (alta polarización/CrO₂) o tipo IV (metal) para la reproducción.

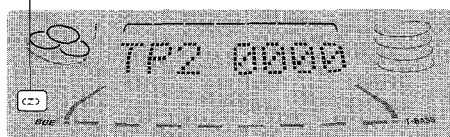
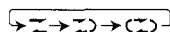
Pulse TAPE y ▲ EJECT para abrir el portacasete.



Inserte una cinta con el lado expuesto hacia abajo. Empuje el portacasete para cerrarlo.

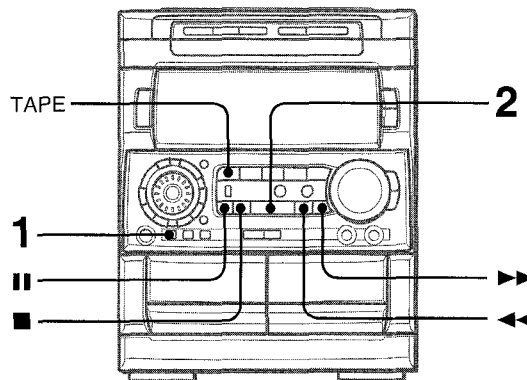
Para seleccionar un modo de inversión (platina 2 solamente)

Cada vez que pulse REV MODE, el modo de inversión cambiará.



- Para reproducir una cara solamente, seleccione I.
- Para reproducir de la cara delantera a la trasera una vez solamente, seleccione II.
- Para reproducir repetidamente ambas caras, seleccione III.
- Cuando haya cintas introducidas en ambas platinas, el indicador III del visualizador indicará la reproducción continua.

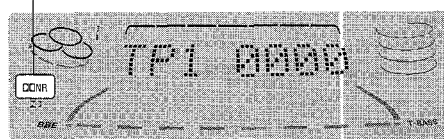
REPRODUCCION DE UNA CINTA



Inserte una cinta.

1 Pulse DOLBY NR y active o desactive Dolby NR según el modo empleado en la cinta de reproducción.

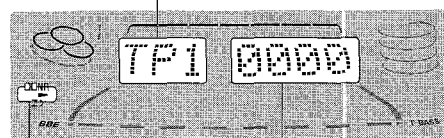
□□ NR



Para cintas grabadas con DOLBY NR, encienda □□ NR. Para cintas grabadas sin DOLBY NR, apague □□ NR.

2 Pulse ◀▶ para iniciar la reproducción.

Número de la platina de reproducción



Indicador de la cara de reproducción

El contador de cinta indica el movimiento de la cinta.

- ▶: La cara que queda hacia adelante (cara delantera) está siendo reproducida.
- ◀: La cara que queda hacia atrás (cara trasera) está siendo reproducida.

Cuando haya cintas en ambas platinas

Pulse primero TAPE para seleccionar una platina. El número de la platina seleccionada se visualizará.

Para detener la reproducción, pulse ■.

Para hacer una pausa en la reproducción (platina 2 solamente), pulse II. Para reanudar la reproducción, púselo otra vez.

Para cambiar la cara de reproducción, pulse ◀▶ DIRECTION/PRESET en el modo de reproducción o en el de pausa.

Para avanzar rápidamente o rebobinar, pulse ◀◀ o ▶▶. Luego pulse ■ para detener la cinta.

Para iniciar la reproducción cuando la alimentación esté desconectada (función de reproducción directa)

Pulse TAPE. La alimentación se conectará y la reproducción de la cinta insertada empezará.

Para poner el contador de cinta a 0000

Pulse ■ CLEAR en el modo de parada.

El contador también se pone a 0000 cuando se abre y se cierra el portacasete.

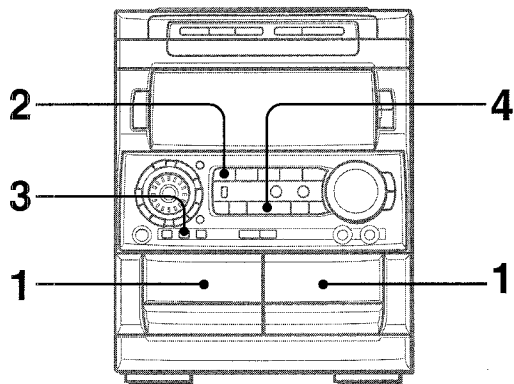
SENSOR MUSICAL

Si hay un espacio sin grabar de 4 segundos o más entre cada canción, la búsqueda del principio de la canción que esté siendo reproducida o de la siguiente canción podrá realizarse fácilmente. Pulse ◀◀ o ▶▶ durante la reproducción observando el indicador de la cara de reproducción (◀ o ▶) del visualizador. Por ejemplo, cuando pulse ▶▶ mientras se visualiza ▶, empezará a reproducirse la siguiente canción.

La función del sensor musical tal vez no pueda detectar las canciones bajo las condiciones siguientes:

- Espacios sin grabar de menos de 4 segundos entre las canciones.
- Espacios sin grabar que tengan ruido.
- Pasajes largos con un sonido muy bajo.
- Niveles de grabación bajos en general.

REPRODUCCION CONTINUA

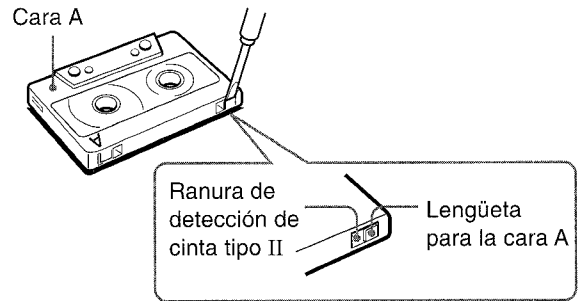


Después de terminar la reproducción en una platina, la cinta de la otra platina empezará a reproducirse sin interrupción.

- 1 Inserte cintas en las platinas 1 y 2.**
- 2 Pulse TAPE DECK 1/2 para seleccionar la platina que vaya a realizar la reproducción en primer lugar.**
- 3 Pulse REV MODE para seleccionar ⏮.**
- 4 Pulse ◀▶ para iniciar la reproducción.**
La reproducción continuará hasta que se pulse ■.

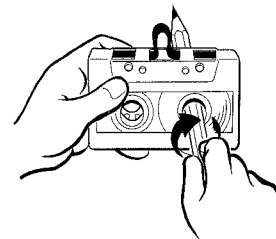
Acerca de las cintas de casete

- **Para evitar el borrado accidental**, rompa con un destornillador u otra herramienta puntiaguda las lengüetas de plástico del casete después de grabar.



Para volver a grabar en una cinta, tape las aberturas con cinta adhesiva, etc. (En cintas tipo II, tenga cuidado para no tapar la ranura de detección de cinta tipo II.)

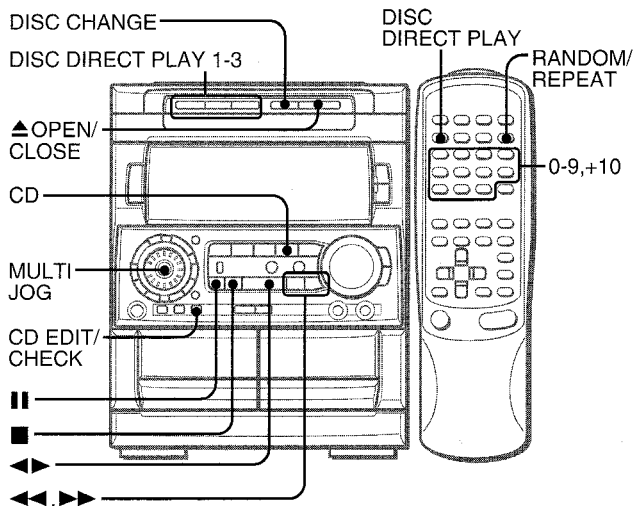
- **Las cintas de 120 minutos o más** son extremadamente finas y se deforman o estropean fácilmente. No son recomendadas.
- **Tense la cinta** con un lapicero o herramienta similar antes de utilizarla. La cinta floja podrá romperse o atascarse en el mecanismo.



Sistema DOLBY NR

El sistema de reducción de ruido Dolby reduce el ruido de silbido de la cinta. Para obtener unas prestaciones óptimas cuando reproduzca una cinta grabada con el sistema DOLBY NR, active el sistema DOLBY NR.

OPERACIONES BASICAS



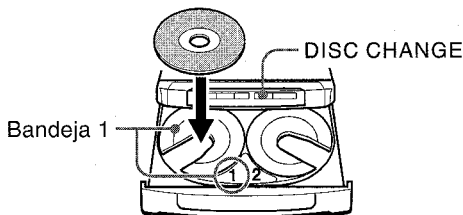
INTRODUCCION DE DISCOS

Pulse **CD**, y luego pulse **▲ OPEN/CLOSE** para abrir el compartimiento de los discos. Introduzca el(los) disco(s) con el lado de la etiqueta hacia arriba.

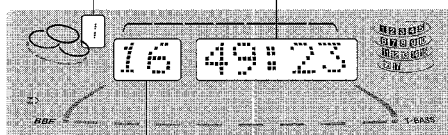
Para reproducir uno o dos discos, ponga los discos en las bandejas 1 y 2.

Para reproducir tres discos, pulse **DISC CHANGE** para hacer girar las bandejas después de colocar dos discos. Ponga luego el tercer disco en la bandeja 3.

Cierre el compartimiento de los discos pulsando **▲ OPEN/CLOSE**.



Número de la bandeja del disco que va a ser reproducido Tiempo de reproducción total



Número total de canciones

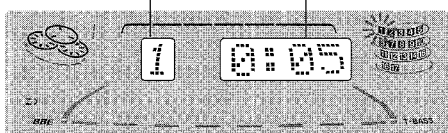
REPRODUCCION DE DISCOS

Introduzca los discos.

Para reproducir todos los discos del compartimiento, pulse **<<>**.

La reproducción empezará por el disco de la bandeja 1.

Número de la canción que está siendo reproducida Tiempo de reproducción transcurrido



Para reproducir un disco solamente, pulse **DISC DIRECT PLAY 1-3**.

El disco seleccionado se reproducirá una vez.

Para reproducir con el control remoto

Pulse **DISC DIRECT PLAY**, y luego pulse los botones numerados **1-3** antes de que pasen 3 segundos para seleccionar un disco.

Para detener la reproducción, pulse **■**.

Para hacer un pausa en la reproducción, pulse **II**. Para reanudar la reproducción, púselo de nuevo.

Para buscar un punto particular durante la reproducción, mantenga pulsado **<<** o **>>** y suéltelo en el punto deseado.

Para saltar hasta el principio de una canción durante la reproducción, pulse repetidamente **<<** o **>>** o gire **MULTI JOG**.

Para quitar discos, pulse **▲ OPEN/CLOSE**.

Para iniciar la reproducción cuando la alimentación esté desconectada (función de reproducción directa)

Pulse **CD**. La alimentación se conectará y la reproducción del(de los) disco(s) introducido(s) empezará.

La alimentación se conectará también, y el compartimiento de los discos se abrirá, cuando se pulse **▲ OPEN/CLOSE**.

Para comprobar el tiempo restante

Durante la reproducción, pulse **CD EDIT/CHECK**. El tiempo restante hasta que todas las canciones terminen de reproducirse se visualizará. Para reponer la visualización del tiempo de reproducción, repita este procedimiento.

Selección de una canción con el control remoto

1 Pulse **DISC DIRECT PLAY**, y luego pulse uno de los botones numerados **1-3** antes de que pasen 3 segundos para seleccionar un disco.

2 Pulse los botones numerados **0-9** y **+10** para seleccionar una canción.

Ejemplo:

Para seleccionar la canción número 25, pulse **+10**, **+10** y **5**.

Para seleccionar la canción número 10, pulse **+10** y **0**.

La canción seleccionada empezará a reproducirse y la reproducción continuará hasta que termine ese disco.

Reemplazo de discos durante la reproducción

Mientras se reproduzca un disco, los otros discos podrán reemplazarse sin interrumpir la reproducción.

1 Pulse **DISC CHANGE**.

2 Quite los discos y ponga otros.

3 Pulse **▲ OPEN/CLOSE** para cerrar el compartimiento de los discos.

NOTA

- Cuando introduzca un disco de 8 cm, póngalo en el círculo interior de la bandeja.
- No ponga más de un disco compacto en una misma bandeja.
- No incline la unidad habiendo discos introducidos. Hacer esto podría causar averías.
- No utilice discos compactos con formas irregulares (por ejemplo, con forma de corazón, octagonales, etc.). Podrían ocasionar un malfuncionamiento.

REPRODUCCION ALEATORIA/REPETICION DE REPRODUCCION

Utilice el control remoto.

Reproducción aleatoria

Todas las canciones del disco seleccionado o de todos los discos podrán reproducirse aleatoriamente.


Repetición de reproducción


Un solo disco o todos ellos podrán reproducirse repetidamente.

Pulse RANDOM/REPEAT.


Cada vez que lo pulse, la función podrá ser seleccionada cíclicamente.

Reproducción aleatoria — RANDOM se enciende en el visualizador.

Repetición de reproducción —  se enciende en el visualizador.


Reproducción aleatoria/repetición de reproducción — RANDOM y  se encienden en el visualizador.

Cancelación — RANDOM y  desaparecen del visualizador.

Para reproducir todos los discos pulse  para iniciar la reproducción.

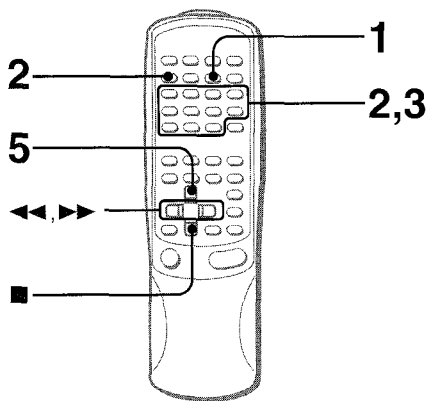
Para reproducir un solo disco pulse **DISC DIRECT PLAY 1-3** para iniciar la reproducción.

NOTA

Durante la reproducción aleatoria no será posible saltar a la canción previamente reproducida con .

REPRODUCCION PROGRAMADA

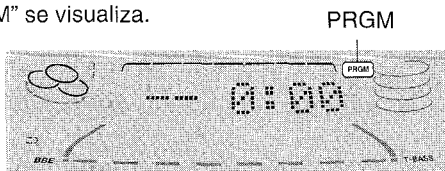
Se podrá programar un máximo de 30 canciones de cualquiera de los discos introducidos.



Utilice el control remoto.

1 Pulse dos veces PRGM estando en el modo de parada.

"PRGM" se visualiza.



• Cuando **PRGM** se pulse una vez en el paso 1, la unidad se pondrá en el modo PROGRAMA DE KARAOKE (página 24).

2 Pulse DISC DIRECT PLAY, y luego pulse uno de los botones numerados 1-3 antes de que pasen 3 segundos para seleccionar un disco.

Vaya al paso siguiente cuando la bandeja deje de girar.

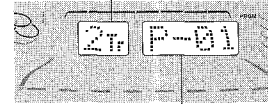
3 Pulse los botones numerados 0-9 y +10 para programar una canción.

Ejemplo:

Para seleccionar la canción número 25, pulse **+10, +10 y 5**.

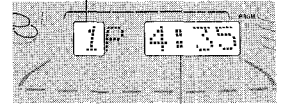
Para seleccionar la canción número 10, pulse **+10 y 0**.

Número de la canción seleccionada



Número de programa

Número total de canciones seleccionadas

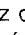
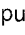


Tiempo de reproducción total de las canciones seleccionadas


4 Repita los pasos 2 y 3 para programar otras canciones.

5 Pulse para iniciar la reproducción.

Para comprobar el programa

Cada vez que se pulse  o  en el modo de parada se visualizará un número de disco, un número de canción y un número de programa.

Para borrar el programa

Pulse  **CLEAR** en el modo de parada.


Para añadir canciones al programa

Repita los pasos 2 y 3 en el modo de parada. La canción se programará después de la última canción programada.

Para cambiar las canciones programadas

Borre el programa y repita todos los pasos de programación.

Para reproducir repetidamente las canciones programadas

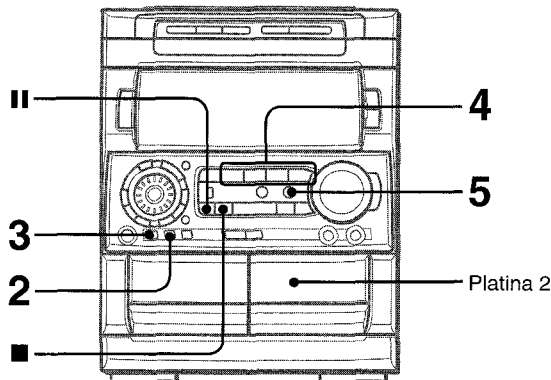
Después de programar las canciones, pulse repetidamente **RANDOM/REPEAT** hasta que  aparezca en el visualizador.

NOTA

Durante la reproducción programada, usted no podrá realizar la reproducción aleatoria, comprobar el tiempo restante ni seleccionar un disco o canción.

GRABACION BASICA

Esta sección explica cómo grabar del sintonizador, del reproductor de discos compactos o de equipos exteriores.

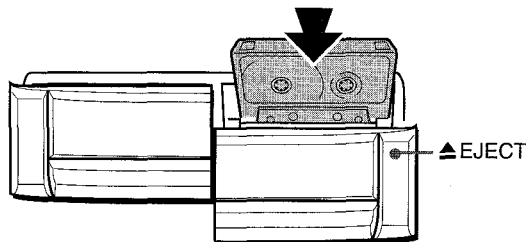


Preparación

- Para la grabación, utilice cintas tipo I (normal) y tipo II (alta polarización/CrO₂).
- Bobine la cinta hasta el punto donde vaya a empezar la grabación.

1 Inserte la cinta que vaya a grabar en la platina 2.

Inserte la cinta con la cara que vaya a grabar en primer lugar hacia afuera de la unidad.



2 Pulse REV MODE para seleccionar el modo de inversión.

Para grabar en una cara solamente, seleccione Σ .
Para grabar en ambas caras, seleccione Σ) o (Σ .

3 Pulse DOLBY NR para activar o desactivar Dolby NR.

Para grabar con DOLBY NR, encienda $\square\square$ NR.
Para grabar sin DOLBY NR, apague $\square\square$ NR.

4 Pulse uno de los botones de función (CD, TUNER, VIDEO/AUX o MD) y prepare la fuente de sonido de la que vaya a grabar.

Para grabar de un disco compacto, pulse CD e introduzca el(los) disco(s).

Para grabar una radiodifusión, pulse TUNER y sintonice la emisora.

Para grabar de una fuente de sonido conectada, pulse VIDEO/AUX o MD.

5 Pulse ● REC/REC MUTE para iniciar la grabación.

Cuando la función seleccionada sea CD, la reproducción y la grabación empezarán simultáneamente.

Para detener la grabación, pulse ■.

Para hacer una pausa en la grabación, pulse II. (Puede aplicarse cuando la fuente de sonido sea TUNER, VIDEO/AUX o MD.) Para reanudar la grabación, púselo de nuevo.

Para iniciar la grabación con el control remoto

Pulse primero ●/O REC/REC MUTE y luego pulse ◀▶ antes de que pasen 2 segundos.

Ajuste del sonido durante la grabación

El tono y el volumen de salida (excepto BBE y la función de reproducción con patrón de ritmo) de los altavoces o de los auriculares podrá cambiarse libremente sin afectar a la grabación.

INSERCIÓN DE ESPACIOS SIN GRABAR

La inserción de espacios sin grabar de 4 segundos permite la activación de la función del sensor musical. (Puede aplicarse cuando la fuente de sonido sea TUNER, VIDEO/AUX o MD.)

1 Pulse ● REC/REC MUTE durante la grabación o en el modo de pausa de grabación.

REC parpadeará en el visualizador durante 4 segundos y la cinta avanzará sin grabarse. Después de 4 segundos, la platina entrará en el modo de pausa de grabación.

2 Pulse II para reanudar la grabación.

Para insertar un espacio sin grabar de menos de 4 segundos,

pulse de nuevo ● REC/REC MUTE mientras esté parpadearando REC.

Para insertar espacios sin grabar de más de 4 segundos,

después de que la platina entre en el modo de pausa de grabación, pulse de nuevo ● REC/REC MUTE. Cada vez que pulse el botón se añadirá un espacio sin grabar de 4 segundos.

Para borrar una grabación

Asegúrese de que el micrófono no esté conectado a esta unidad y de que la función de reproducción con patrón de ritmo (página 7) este desactivada.

Ponga el volumen del micrófono y el nivel del eco en OFF. (Consulte la página 23.)

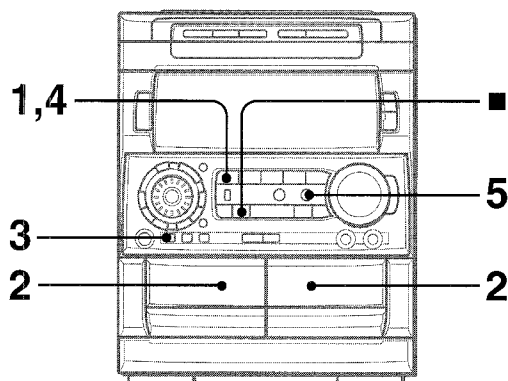
1 Inserte la cinta que vaya a borrar en la platina 2 y pulse TAPE DECK 1/2 para visualizar "TP 2".

2 Ponga la cinta en el punto donde vaya a empezar a borrar.

3 Ponga el modo de inversión pulsando REV MODE.

4 Pulse ● REC/REC MUTE para iniciar el borrado.

COPIADO MANUAL DE UNA CINTA



NOTA

- Ponga la cinta en el punto donde vaya a empezar la grabación.
- El modo de inversión se ajusta automáticamente a Σ .
Tenga en cuenta que la grabación se hará en una cara de la cinta solamente.

1 Pulse TAPE.

2 Inserte la cinta original en la platina 1 y la cinta que vaya a grabar en la platina 2.

Inserte las cintas con las caras que vaya a reproducir o grabar hacia afuera de la unidad.

3 Pulse DOLBY NR para desactivar Dolby NR.

$\square\square$ NR se apagará en el visualizador.

4 Pulse TAPE DECK 1/2 para seleccionar la platina 1.

Se visualiza "TP 1".

5 Pulse \bullet REC/REC MUTE para iniciar la grabación.

La reproducción y la grabación empezarán simultáneamente.

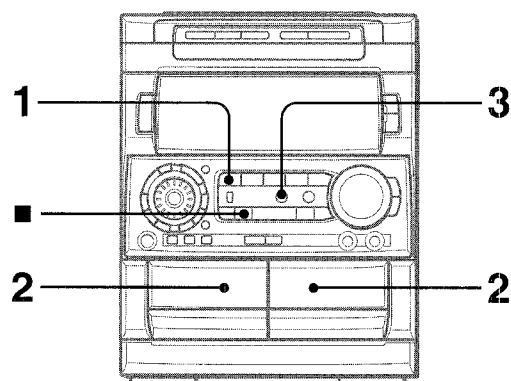
Para detener el copiado

Pulse \blacksquare .

Para ajustar Dolby NR cuando reproduzca la cinta copiada

Pulse **DOLBY NR** y active o desactive Dolby NR según el modo empleado en la cinta original.

COPIADO DE TODA LA CINTA



Esta función le permitirá hacer copias exactas de ambas caras de la cinta original. La cara de inversión de ambas cintas empezará simultáneamente tan pronto como termine de invertirse la cinta más larga.

NOTA

- La copia no empieza desde un punto ubicado en medio de la cinta.
- El modo de inversión se pone automáticamente en Σ .
- El ajuste Dolby NR no afecta a la grabación.

1 Pulse TAPE.

2 Inserte la cinta original en la platina 1 y la cinta que vaya a grabar en la platina 2.

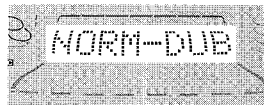
Inserte cada cinta con la cara que vaya a ser reproducida o grabada hacia afuera de la unidad.

3 Pulse una o dos veces SYNC DUB para iniciar la grabación.

① Para grabar a velocidad normal, púselo una vez para visualizar NORM-DUB.

② Para grabar a alta velocidad, púselo dos veces para visualizar HIGH-DUB.

①



②



Las cintas se rebobinarán hasta el principio de las caras delanteras y empezará la grabación.

Para detener el copiado

Pulse \blacksquare .

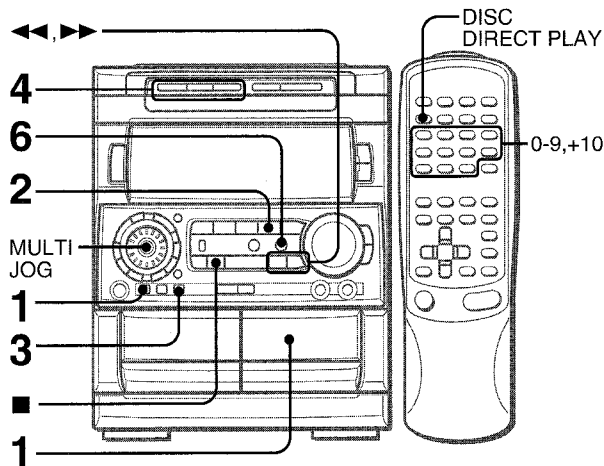
Para ajustar Dolby NR cuando reproduzca la cinta copiada

Pulse **DOLBY NR** y active o desactive Dolby NR según el modo empleado en la cinta original.

NOTA

- La función de grabación con edición AI no se podrá utilizar con discos que tengan 31 canciones o más.
- La grabación no empezará si las lengüetas de prevención de borrado de ambos lados de la cinta están rotas.

GRABACION CON EDICION AI

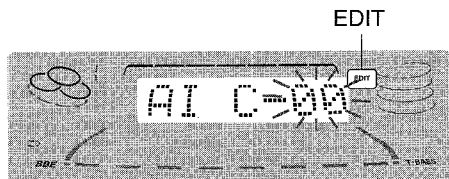


La función de grabación con edición AI permite grabar discos compactos sin preocuparse de la duración de la cinta y de las canciones. Cuando se inserte un disco compacto, la unidad calculará automáticamente la duración total de las canciones. En caso de ser necesario, el orden de las canciones se cambiará para que ninguna canción quede cortada. (AI: Inteligencia Artificial)

NOTA

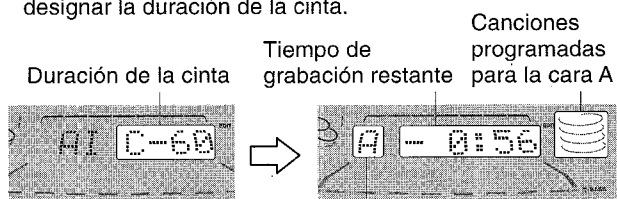
La grabación con edición AI no empezará desde un punto que se encuentre en medio de la cinta. La cinta deberá grabarse desde el principio de cada cara.

- 1 Inserte la cinta en la platina 2 y pulse DOLBY NR para activar o desactivar Dolby NR.**
Inserte la cinta con la cara que vaya a grabar en primer lugar hacia afuera de la unidad.
- 2 Pulse CD e introduzca el(los) disco(s).**
- 3 Pulse una vez CD EDIT/CHECK.**
"EDIT" se visualizará.



• Cuando se visualice "PRGM", pulse de nuevo **CD EDIT/CHECK**.

- 4 Pulse DISC DIRECT PLAY 1-3 para seleccionar un disco.**
- 5 Pulse los botones numerados 0-9 del control remoto para designar la duración de la cinta.**
Se puede especificar una duración de 10 a 99 minutos.
Ejemplo: Cuando utilice una cinta de 60 minutos, pulse **6 y 0**.
En unos pocos segundos, las canciones que vayan a ser grabadas en cada cara de la cinta serán determinadas.
• **◀▶** o **MULTI JOG** también se pueden utilizar para designar la duración de la cinta.



Cara de la cinta
A: Primera cara de grabación
B: Segunda cara de grabación

- 6 Pulse ● REC/REC MUTE para iniciar la grabación de la primera cara.**

La cinta se rebobinará hasta el principio de la cara delantera, el segmento guía avanzará durante 10 segundos y la grabación empezará. Cuando termine de grabarse la cara delantera (cara A) empezará la grabación de la cara trasera (cara B).

Para detener la grabación

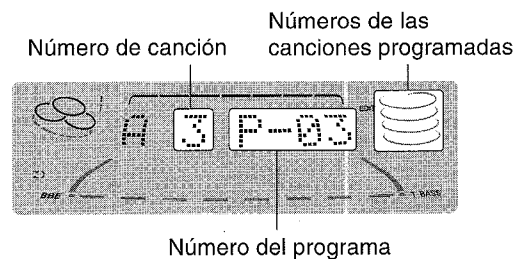
Pulse **■ CLEAR**. La grabación y la reproducción del disco compacto pararán simultáneamente.

Para borrar el programa de edición

Pulse **■ CLEAR** dos veces para que "EDIT" desaparezca del visualizador.

Para comprobar el orden de los números de las canciones programadas

Antes de grabar, pulse **CD EDIT/CHECK** para seleccionar la cara A o la B, y pulse repetidamente **◀▶**.



Para añadir canciones de otros discos a un programa de edición

Si queda tiempo en la cinta después del paso 5, usted podrá añadir canciones de otros discos que se encuentren en el compartimiento de los discos compactos.

- 1 Pulse CD EDIT/CHECK** para seleccionar la cara A o la B.
- 2 Pulse DISC DIRECT PLAY 1-3** para seleccionar un disco.
- 3 Pulse los botones numerados del control remoto para seleccionar canciones.**
Una canción cuyo tiempo de reproducción sea superior al tiempo restante no podrá ser programada.
- 4 Repita los pasos 2 y 3 para añadir más canciones.**

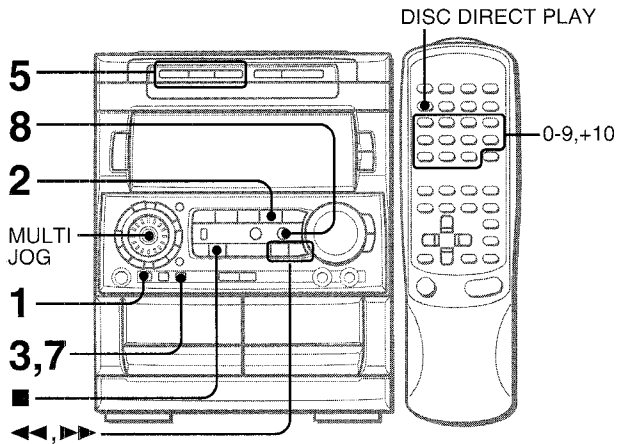
Tiempo de las cintas de casete y tiempo de edición

El tiempo real de grabación de los casetes es por lo general un poco más largo que el tiempo de grabación especificado en sus etiquetas. Esta unidad puede programar canciones para utilizar ese tiempo extra. Cuando el tiempo total de grabación sea un poco más largo que el tiempo de grabación especificado en el casete, después de la edición, el visualizador mostrará el tiempo extra (sin un signo menos) en lugar del tiempo restante de la cinta (con el signo menos).

NOTA

La función de grabación con edición AI no se podrá utilizar con discos que tengan 31 canciones o más.

GRABACION CON EDICION PROGRAMADA



En la función de grabación con edición programada, las canciones pueden programarse mientras se comprueba el tiempo restante de cada cara de la cinta según se programan las canciones.

NOTA

La grabación con edición programada no empezará desde un punto ubicado en medio de la cinta. La cinta deberá grabarse desde el principio de una de las caras.

1 Inserte la cinta en la platina 2 y pulse DOLBY NR para activar o desactivar Dolby NR.

Inserte la cinta con la cara que vaya a grabar en primer lugar hacia afuera de la unidad.

2 Pulse CD e introduzca el(los) disco(s).

3 Pulse dos veces CD EDIT/CHECK.

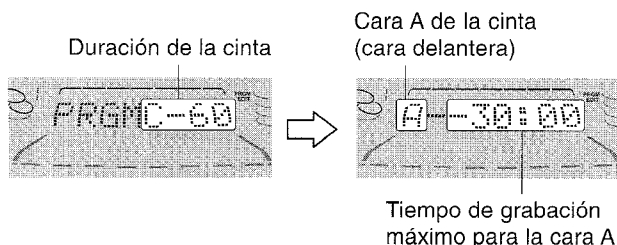
"EDIT" y "PRGM" se visualizarán.

- Cuando se visualice "AI", pulse de nuevo CD EDIT/CHECK.

4 Pulse los botones numerados del control remoto para designar la duración de la cinta.

Se puede especificar una duración de 10 a 99 minutos.

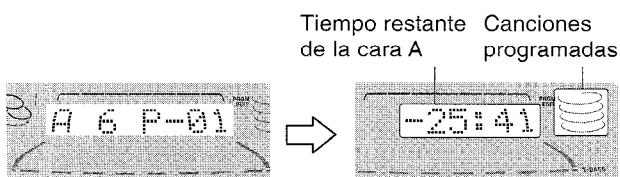
- ◀◀, ▶▶ o MULTI JOG también se encuentran disponibles para designar la duración de la cinta.



5 Pulse DISC DIRECT PLAY 1-3 para seleccionar un disco.

Luego, pulse los botones numerados 0-9 y +10 del control remoto para programar una canción.

Ejemplo: Para seleccionar la canción número 10 del disco 2, pulse DISC DIRECT PLAY 2, y luego pulse +10 y 0.



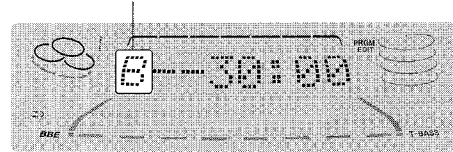
6 Repita el paso 5 para el resto de las canciones para la cara A.

Una canción cuyo tiempo de reproducción sea superior al tiempo restante no podrá ser programada.

7 Pulse CD EDIT/CHECK para seleccionar la cara B y programe las canciones para la cara B.

Después de confirmar que "B" aparezca en el visualizador, repita el paso 5.

Cara B de la cinta (cara trasera)



8 Pulse ● REC/REC MUTE para iniciar la grabación.

La cinta se rebobinará hasta el principio de la cara delantera, el segmento guía avanzará durante 10 segundos y la grabación empezará. Cuando termine de grabarse la cara delantera (A) empezará la grabación de la cara trasera (B).

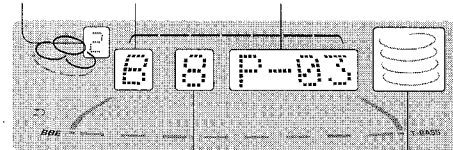
Para detener la grabación

Pulse ■. La grabación y la reproducción del disco compacto pararán simultáneamente.

Para comprobar el orden de los números de las canciones programadas

Antes de grabar, pulse CD EDIT/CHECK para seleccionar la cara A o la B, y pulse repetidamente ◀◀ o ▶▶.

Número de disco Cara de la cinta Número de programa



Número de canción Números de canciones programadas

Para cambiar el programa de cada cara

Pulse CD EDIT/CHECK para seleccionar la cara A o B, y pulse

■ CLEAR para borrar el programa de la cara seleccionada. Luego vuelva a programar canciones.

Para borrar el programa de edición

Pulse ■ CLEAR dos veces para que "EDIT" desaparezca del visualizador.


NOTA

- Se podrá programar un máximo de 30 canciones de cualquiera de los discos introducidos.
- La grabación no podrá realizarse si están rotas las lengüetas de prevención de borrado de ambos lados de la cinta.

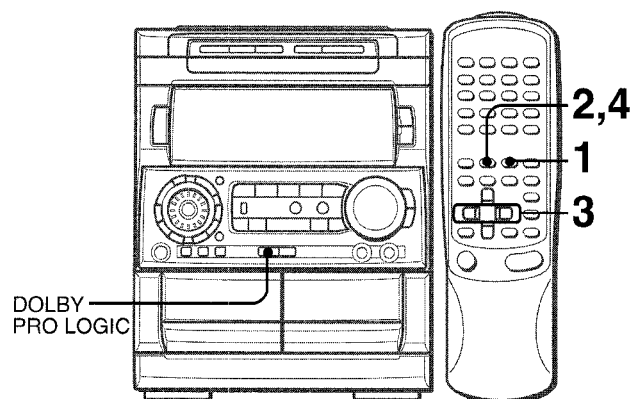
DOLBY PRO LOGIC

El sistema DOLBY PRO LOGIC, el altavoz central y los altavoces traseros (suministrados) garantizan el sonido completo de un cine en su hogar. Cuando reproduzca discos láser o programas de vídeo que hayan sido grabados con Dolby Surround, el oyente se verá rodeado de un sonido extraordinariamente real que creará un nuevo nivel de entretenimiento audiovisual. El control independiente de los cuatro canales de sonido permitirá al oyente disfrutar del mismo tipo de reproducción de sonido que el de los cines. Las voces se reproducirán en el campo de sonido delantero y central, mientras que los sonidos ambientales, como los de los automóviles y los de la gente, se reproducirán a todo alrededor del oyente, para vivir una experiencia de audio/vídeo increíble. Lea atentamente lo siguiente para "sintonizar" la salida del sistema de forma que se adapte a las características del lugar de escucha.

Compruebe lo siguiente:

- Antes de utilizar DOLBY PRO LOGIC, ajuste el equilibrio apropiado de los niveles de sonido de los altavoces.
- Asegúrese de que los altavoces suministrados estén conectados e instalados correctamente. (Consulte las páginas 3 y 4.)
- Asegúrese de que el televisor y la unidad de vídeo estén conectados correctamente. (Consulte la página 4.)
- Asegúrese de que el disco láser, la cinta de vídeo, etc. soporten .

AJUSTE DEL EQUILIBRIO DE SONIDO DE LOS ALTAVOCES



La unidad está equipada con un generador de señal de prueba incorporado, llamado secuenciador de ruido, para ajustar fácilmente el equilibrio de los cinco canales. El secuenciador da salida a una señal de ruido que "viaja" de canal a canal, permitiendo que el sencillo ajuste del nivel de sonido logre, en la posición de escucha, la misma sonoridad aparente de cada canal.

Utilice el control remoto.

1 Pulse DOLBY PRO LOGIC para seleccionar "NORMAL".

"NORMAL" se enciende en rojo.

Si "PHANTOM" o "3 STEREO" se enciende en rojo, pulse repetidamente DOLBY PRO LOGIC hasta seleccionar "NORMAL".

2 Pulse MANUAL SELECT (TEST) y manténgalo pulsado durante unos cuatro segundos hasta que parpadee "L".



Se envía una señal de ruido a cada canal en el orden siguiente.

→ L: Altavoz izquierdo → CEN: Altavoz central → R: Altavoz derecho
 ← S-L: Altavoz de sonido ambiental izquierdo ← S-R: Altavoz de sonido ambiental derecho ←

3 Ajuste el nivel del sonido del altavoz central y de los altavoces de sonido ambiental.

Mientras se visualiza "CEN", "S-R" o "S-L", pulse ◀◀ DOWN o ▶▶ UP para ajustar el volumen del altavoz central y de cada uno de los altavoces de sonido ambiental de forma que coincida con el nivel de los altavoces delanteros.



Para ajustar el equilibrio entre los altavoces delanteros derecho e izquierdo, consulte la página 7. Ahora, el modo DOLBY PRO LOGIC deberá cancelarse pulsando DOLBY PRO LOGIC hasta que se visualice "P-OFF".

4 Pulse de nuevo MANUAL SELECT (TEST) para detener la señal de ruido.

NOTA

- Si se cambia el nivel de los altavoces de sonido ambiental o del altavoz central de DOLBY PRO LOGIC, el del sistema SURROUND (página 11) y el de DOLBY DIGITAL SURROUND (página 28) cambiará también.
- Mientras se visualiza "S-L" o "S-R", ambos altavoces de sonido ambiental dan salida a la señal de ruido juntos. Sin embargo, sólo el nivel del sonido de uno de los altavoces de sonido ambiental visualizado como "S-L" o "S-R" podrá ajustarse.

Acerca de los canales

Los altavoces delanteros derecho e izquierdo crean el efecto estéreo.

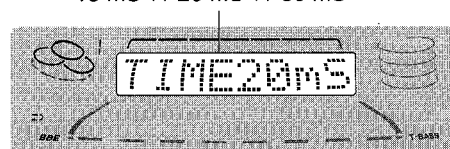
El altavoz central ayuda a lograr un posicionamiento de sonido exacto sobre un amplio campo de sonido.

Los altavoces de sonido ambiental montados en la parte trasera realzan la "profundidad" del campo de sonido.

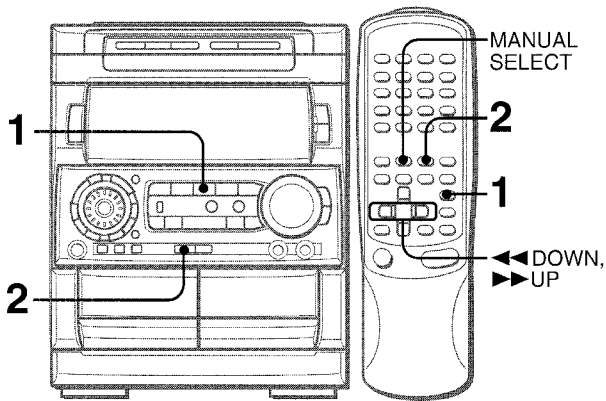
Para cambiar el tiempo de retardo

Los altavoces de sonido ambiental reproducen los sonidos fracciones de segundo después que los altavoces delanteros. El retardo está ajustado inicialmente a 20 ms (milisegundos). Para cambiar este tiempo de retardo estándar, pulse repetidamente MANUAL SELECT (TEST) del control remoto hasta que se visualice "TIME". Luego, pulse ◀◀ DOWN o ▶▶ UP. Cada vez que se pulse el botón, el tiempo de retardo cambiará como se muestra más abajo:

15 mS ↔ 20 mS ↔ 30 mS



REPRODUCCION CON DOLBY PRO LOGIC



1 Pulse VIDEO/AUX/5.1 CH y empiece a reproducir la fuente de vídeo.

Se visualiza "VIDEO".

Si se visualiza "5.1 ch IN", vuelva a pulsar VIDEO/AUX/5.1 CH.

2 Pulse DOLBY PRO LOGIC.

Se seleccionará "NORMAL" y el sonido de reproducción tendrá el efecto DOLBY PRO LOGIC.

Para cancelar el modo DOLBY PRO LOGIC

Pulse repetidamente DOLBY PRO LOGIC hasta que se visualice P-OFF.

Para cambiar los niveles de sonido durante la reproducción

Después de ajustar el equilibrio con el secuenciador de ruido, los niveles de sonido del altavoz central y de cada uno de los altavoces de sonido ambiental pueden ajustarse durante la reproducción de discos láser o programas de vídeo.

- 1 Pulse repetidamente **MANUAL SELECT (TEST)** del control remoto para seleccionar "CEN" (altavoz central), "S-L" (altavoz de sonido ambiental izquierdo) o "S-R" (altavoz de sonido ambiental derecho).
- 2 Mientras se visualiza "CEN" "S-L" o "S-R", pulse ◀◀ **DOWN** o ▶▶ **UP** del control remoto para ajustar el volumen.

OTROS MODOS DOLBY PRO LOGIC

Además del modo NORMAL, esta unidad tiene también los modos PHANTOM y 3 STEREO.

Modo PHANTOM: Utilice este modo cuando no esté conectado el altavoz central. Las señales del altavoz central saldrán por los altavoces derecho e izquierdo.

Modo 3 STEREO: Utilice este modo cuando no estén conectados los altavoces de sonido ambiental. Este modo reproduce el sonido de los altavoces traseros por los altavoces delanteros.

Para seleccionar PHANTOM o 3 STEREO

Pulse repetidamente DOLBY PRO LOGIC hasta que se visualice el modo DOLBY PRO LOGIC deseado. El modo DOLBY PRO LOGIC se visualizará cíclicamente de la forma siguiente.



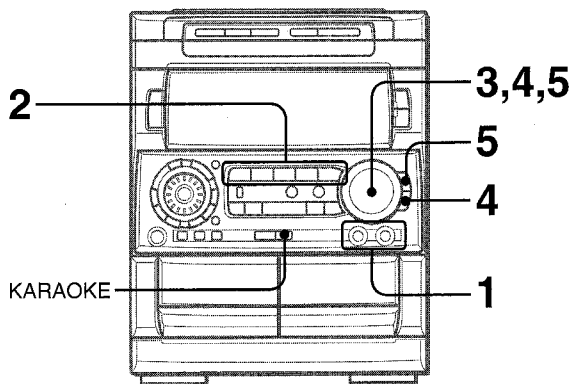
Para ajustar el equilibrio de los niveles de sonido de los altavoces conectados

Realice los pasos 2 a 4 de "AJUSTE DEL EQUILIBRIO DE SONIDO DE LOS ALTAVOCES".

NOTA

- Dependiendo de la fuente de sonido y/o de las condiciones de escucha, tal vez no se obtenga un efecto de sonido ambiental aunque DOLBY PRO LOGIC esté activado.
- El efecto completo de DOLBY PRO LOGIC no se podrá obtener cuando se utilicen programas que no tengan la marca . En este caso, utilice el sistema SURROUND. (Consulte la página 10.)
- DOLBY PRO LOGIC se cancela automáticamente cuando:
 - Se cambia el nivel de ECHO.
 - Se activa el sistema SURROUND o BBE.
 - Se conectan auriculares.
 - Se activa la función de Karaoke.
 - Se selecciona 5.1 CH (página 28).
- Ponga el volumen de microfono en OFF cuando DOLBY PRO LOGIC este activado. De lo contrario, el sonido DOLBY PRO LOGIC no podrá ser reproducido correctamente.

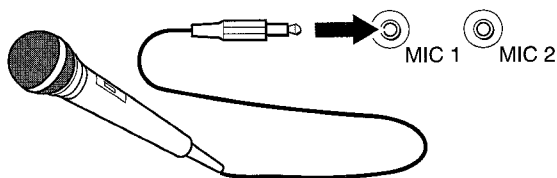
MEZCLA MICROFONICA



A esta unidad podrán conectarse dos micrófonos (no suministrados), permitiéndole así cantar con el acompañamiento de las fuentes musicales.

Utilice micrófonos con miniclavijas (3,5 mm ø).

1 Conecte sus micrófonos a las tomas MIC 1 y MIC 2.



2 Pulse uno de los botones de función para seleccionar la fuente de sonido que vaya a ser mezclada y luego reproduzca.

3 Ajuste el volumen y el tono de la fuente de sonido.

4 Pulse MIC y gire VOLUME antes de que pasen 4 segundos para ajustar el volumen del micrófono.

El volumen del micrófono se puede seleccionar entre 1 y MAX (7) u OFF (cancelación).

El volumen de ambos micrófonos se ajustará simultáneamente.

5 Pulse ECHO y gire VOLUME antes de que pasen 4 segundos para ajustar el nivel de eco.

El nivel de eco se puede seleccionar entre 1 y MAX (7) u OFF (cancelación).

Para cambiar el tiempo de retardo del eco

Mantenga pulsado **ECHO** estando activada la función de eco. "L" (largo) y "M" (medio) se visualizarán alternativamente. Suelte el botón en la posición deseada.

Para grabar el sonido de micrófono mezclado con el sonido de la fuente

Siga el procedimiento de grabación de la fuente de sonido (consulte la página 17).

SYNC DUB no se podrá utilizar para grabar la mezcla.

Cuando no utilice los micrófonos

Ponga el volumen de los micrófonos y el nivel de eco en OFF y desconecte los micrófonos de las tomas **MIC**.

NOTA

- Cuando se cambie el nivel de **ECHO**, el sistema **SURROUND** y **DOLBY PRO LOGIC** se cancelarán automáticamente.
- Cuando se active **MIC** o **ECHO** estando seleccionada 5.1 CH (página 28), 5.1 CH cambiará a VIDEO.

- Si el micrófono se pone demasiado cerca de los altavoces quizá se produzca un ruido de aullido. En este caso, separe el micrófono de los altavoces o disminuya el volumen del micrófono.
- Si el sonido del micrófono se pone a un nivel demasiado alto quizá se distorsione. En este caso, disminuya el volumen del micrófono.
- Cuando se cambie la función, el ajuste de volumen del micrófono y el ajuste de volumen del eco se cancelarán.

Micrófonos recomendados

Se recomienda utilizar micrófonos tipo unidireccional para evitar el aullido. Póngase en contacto con su concesionario Aiwa para que le dé los detalles.

FUNCIONES DE DESVANECIMIENTO DE VOZ/MULTIPLEX

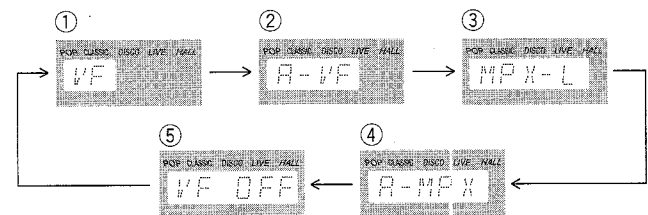
Esta unidad puede utilizar discos o cintas como fuentes de Karaoke.

Utilice la función de desvanecimiento de voz para discos o cintas normales.

Utilice la función de múltiplex para discos o cintas de audio múltiplex.

Pulse repetidamente **KARAOKE** para seleccionar la función de desvanecimiento de voz o de múltiplex.

Cada vez que se pulse **KARAOKE**, una de las funciones siguientes se seleccionará en orden.



① Desvanecimiento de voz

La voz del cantante se hace más suave que la del acompañamiento.

② Desvanecimiento de voz automático

La voz del cantante se hace más suave sólo mientras hay una entrada de audio por un micrófono.

③ Múltiplex

Sólo se oye el sonido del canal izquierdo por ambos altavoces, y el sonido del canal derecho se silencia.

④ Múltiplex automático

El sonido del canal izquierdo se oye por ambos altavoces, y el sonido del canal derecho se silencia sólo mientras hay una entrada de audio por un micrófono.

⑤ Cancelación

Para cambiar el ajuste del retardo de tiempo en las funciones de desvanecimiento de voz automático y de múltiplex automático

La voz del cantante silenciada originalmente recuperará más rápidamente su nivel normal.

Cuando se seleccione el desvanecimiento de voz automático o múltiplex automático, "A-VF" o "A-MPX" se visualizará durante 3 segundos y cambiará al nombre de la función seleccionada. Después de visualizarse el nombre de la función seleccionada, mantenga pulsado **KARAOKE** hasta que se visualice "FAST".

Para volver al ajuste inicial, seleccione **SLOW**.

Cuando se desconecte la alimentación se repondrá **SLOW**.

Para cambiar el canal audible en la función de múltiplex

Sólo el sonido del canal derecho podrá oírse por ambos altavoces.

Cuando se seleccione múltiplex, "MPX-L" se visualizará durante 3 segundos y cambiará al nombre de la función seleccionada. Después de visualizarse el nombre de la función seleccionada, mantenga pulsado **KARAOKE** hasta que se visualice "MPX-R".

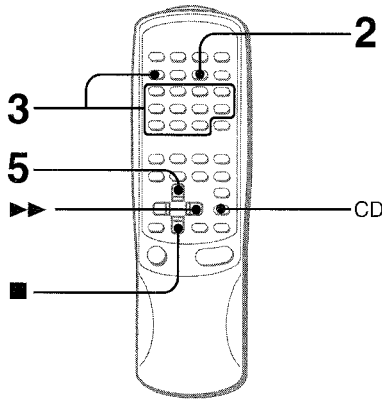
Para volver al ajuste inicial, seleccione **MPX-L**.

Cuando se desconecte la alimentación se repondrá **MPX-L**.

NOTA

- Las funciones de Karaoke tal vez no funcionen correctamente con las clases de discos compactos o cintas siguientes:
 - Discos o cintas con sonido mono
 - Discos o cintas grabados con ecos fuertes
 - Discos o cintas con la parte vocal grabada en el lado derecho o izquierdo del sonido
- Mientras la función de Karaoke esté activada, la salida de sonido será mono.
- Cuando se cambie la función, la función de KARAOKE se cancelará.

PROGRAMA DE KARAOKE

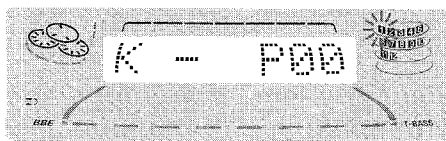


Antes o durante la reproducción de discos compactos, usted podrá reservar un máximo de 15 canciones para reproducirlas después de la canción que esté siendo reproducida. Cada reserva se borrará cuando termine de reproducirse la canción.

Utilice el control remoto.

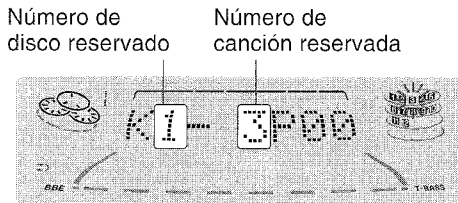
1 Pulse CD e introduzca los discos.

2 Pulse PRGM una vez.



3 Pulse DISC DIRECT PLAY, y luego pulse uno de los botones numerados 1-3 antes de que pasen 3 segundos para seleccionar un disco.

Luego, pulse los botones numerados 0-9 y el botón +10 para programar una canción.

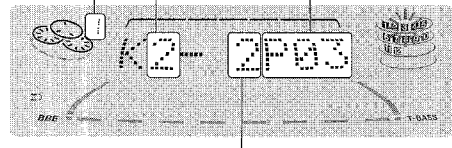


4 Repita el paso 3 para reservar otras canciones.

5 Pulse ◀▶ para iniciar la reproducción.

Después de reproducir una canción, ésta se borrará del programa.

Disco que está siendo reproducido Número del disco de la última reserva Numero de canciones reservadas restantes



Número de canción de la última reserva

Para añadir una reserva durante la reproducción

Repita el paso 3.

Para comprobar las canciones reservadas

Pulse repetidamente **CD EDIT/CHECK**. Cada vez que lo pulse, el número del disco y el número de la canción se visualizarán en el orden en que fueron reservados.

Para detener la reproducción

Pulse ■.

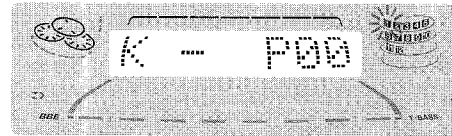
Cuando pulse ◀▶, la reproducción empezará de nuevo desde la última canción.

Para saltar una canción

Pulse ▶▶. La canción saltada se borrará del programa.

Para borrar todas las reservas

Pulse repetidamente ▶▶ hasta que se visualice "K - P00".

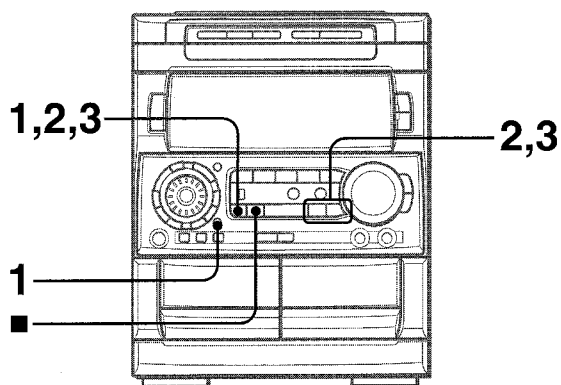


Púselo una vez más para cancelar programas de Karaoke. La visualización volverá a ser la de la reproducción de discos compactos.

NOTA

- Si el número de la canción reservada no existe en el disco seleccionado, la unidad parará la reproducción y la visualización parpadeará. En este caso, pulse ▶▶ para omitir esa canción. Y luego pulse ◀▶ para iniciar la reproducción con la siguiente canción reservada.
- Cuando se pulse repetidamente **PRGM** en el paso 2, **PRGM** se visualizará y la unidad se pondrá en el modo de reproducción programada de disco compacto (página 16). Para cancelar la reproducción programada, pulse ■ **CLEAR**.

PUESTA EN HORA DEL RELOJ



1 Pulse una vez **CLOCK/TIMER** y luego pulse **■** **SET** antes de que pasen 4 segundos.



2 Pulse **◀ DOWN** o **▶ UP** para designar la hora, y luego pulse **■** **SET**.

La hora deja de parpadear y empieza a parpadear el minuto.

3 Pulse **◀ DOWN** o **▶ UP** para designar el minuto, y luego pulse **■** **SET**.

El minuto deja de parpadear en el visualizador y el reloj empieza desde 00 segundos.

Para visualizar la hora actual

Pulse **CLOCK**. La hora se visualizará durante 4 segundos. Sin embargo, la hora no se podrá visualizar durante la grabación.

Para cambiar al modo de 24 horas

Pulse **CLOCK** y luego pulse **■** antes de que pasen 4 segundos. Repita el mismo procedimiento para reponer el modo de 12 horas.

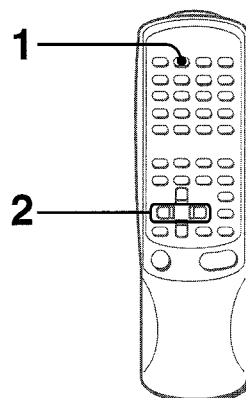
Si parpadea la visualización del reloj

Esto se deberá a una interrupción en el suministro de alimentación. La hora tendrá que ponerse de nuevo. Si la alimentación se interrumpe durante más de 24 horas aproximadamente, todos los ajustes almacenados en la memoria después de adquirir la unidad tendrán que ajustarse otra vez.

* También se puede utilizar **MULTI JOG** en lugar de **◀** y **▶**.

* También se puede utilizar **ENTER** en lugar de **■** **SET**.

AJUSTE DEL TEMPORIZADOR PARA DORMIR



La unidad se podrá apagar automáticamente después de transcurrido un tiempo especificado.

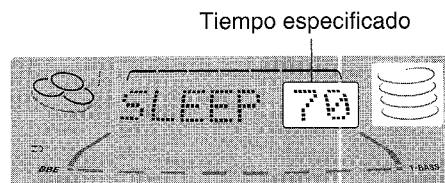
Utilice el control remoto.

1 Pulse **SLEEP**.



2 Antes de que pasen 4 segundos, pulse **◀** o **▶** para especificar el tiempo tras el cual se desconectará la alimentación.

Cada vez que pulse el botón, el tiempo cambiará entre 5 y 240 minutos en pasos de 5 minutos.



Para comprobar el tiempo restante hasta que se desconecte la alimentación

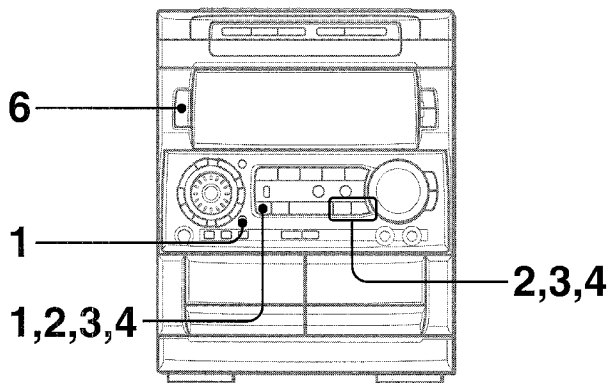
Pulse una vez **SLEEP**. El tiempo restante se visualizará durante 4 segundos.

Para cancelar el temporizador para dormir

Pulse dos veces **SLEEP** para que aparezca "SLEEP OFF" en el visualizador.

* También se puede utilizar **MULTI JOG** en lugar de **◀** y **▶**.

AJUSTE DEL TEMPORIZADOR



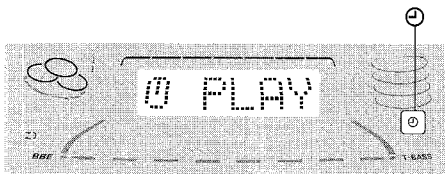
La unidad podrá encenderse a la hora especificada todos los días gracias al temporizador incorporado.

Preparación

Asegúrese de que la hora del reloj sea correcta.

1 Pulse repetidamente CLOCK/TIMER para visualizar ☉, y luego pulse **|| SET antes de que pasen 6 segundos.**

☉ se visualizará y la hora parpadeará.



NOTA

Si pulsa **|| SET** después de 6 segundos tal vez empiece otra operación.

2 Designe la hora de encendido del temporizador pulsando **◀ DOWN o **▶ UP**, y luego pulse **|| SET**.**

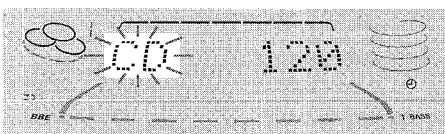
Repita el mismo procedimiento para designar el minuto de encendido del temporizador.



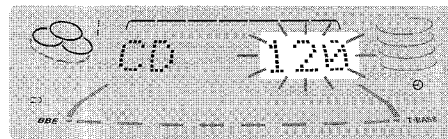
Después de designar la hora de encendido del temporizador, uno de los nombres de las fuentes de sonido parpadeará en el visualizador.

3 Pulse **◀ DOWN o **▶ UP** para seleccionar una fuente, y luego pulse **|| SET**.**

• Si se selecciona TUNER, la banda no se podrá seleccionar en este paso.



4 Seleccione la duración del periodo de reproducción activado por temporizador con **◀ DOWN o **▶ UP**, y luego, pulse **|| SET**.**



La duración del periodo de reproducción activado por temporizador podrá ajustarse entre 5 y 240 minutos en pasos de 5 minutos.

5 Prepare la fuente de sonido.

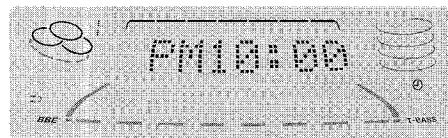
Para escuchar un disco compacto, introduzca el disco que vaya a reproducir en primer lugar en la bandeja 1.

Para escuchar una cinta, introduzca la cinta en la platina 1 o en la 2.

Para escuchar la radio, sintonice una emisora.

6 Pulse POWER para apagar la unidad después de haber ajustado el volumen y el tono.

☉ permanecerá en el visualizador después de que se desconecte la alimentación (modo de espera del temporizador).



Cuando llegue la hora de encendido del temporizador, la unidad se encenderá y la reproducción empezará con la fuente de sonido seleccionada.

El volumen del sonido se ajusta automáticamente a 20 cuando se desconecta la alimentación estando el nivel ajustado en 21 o más.

Para comprobar la hora y la fuente de sonido especificadas

Pulse dos veces **CLOCK/TIMER**. La hora de encendido del temporizador, el nombre de la fuente seleccionada y la duración del periodo de activación por temporizador se visualizarán durante 4 segundos.

Para cancelar temporalmente el modo de espera del temporizador

Pulse repetidamente **CLOCK/TIMER** hasta que ☉ o ☉ REC desaparezca del visualizador.

Para reponer el modo de espera del temporizador, pulse repetidamente **CLOCK/TIMER** para visualizar ☉ o ☉ REC.

Utilización de la unidad mientras esté ajustado el temporizador

Podrá utilizar normalmente la unidad después de ajustar el temporizador.

Antes de desconectar la alimentación, siga el paso 5 para preparar la fuente de sonido y ajuste el volumen y el tono.

NOTA

• La reproducción y la grabación con temporizador no empezarán si no se desconecta la alimentación.

• El equipo conectado no se podrá encender ni apagar con el temporizador incorporado de esta unidad. Utilice en este caso un temporizador externo.

* También se puede utilizar **MULTI JOG** en lugar de **◀** y **▶**.

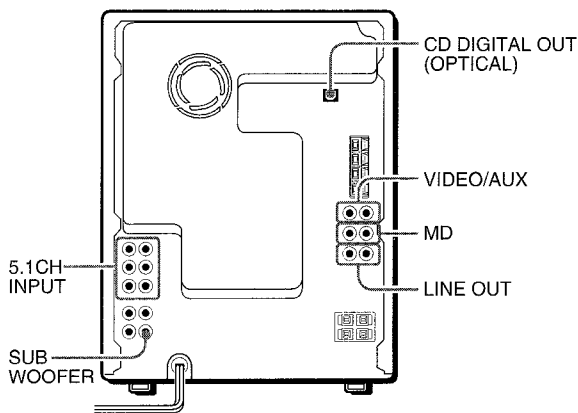
* También se puede utilizar **ENTER** en lugar de **|| SET**.

GRABACION CON TEMPORIZADOR

La grabación con temporizador sólo podrá utilizarse con las fuentes de sonido TUNER y VIDEO/AUX (con un temporizador externo).

Pulse repetidamente CLOCK/TIMER hasta que ☉ TIMER REC parpadee en el visualizador, y luego pulse **|| SET antes de que pasen 6 segundos.** Ejecute los pasos de "AJUSTE DEL TEMPORIZADOR", a partir del paso 2, e inserte la cinta que vaya a grabar en la platina 2 después de efectuar el paso 5.

CONEXION DE UN EQUIPO OPCIONAL



Consulte el manual de instrucciones del equipo conectado para tener más detalles.

- Los cables de conexión no han sido suministrados. Obtenga los cables de conexión necesarios.
- Consulte con su concesionario Aiwa en cuanto al equipo opcional.

TOMAS VIDEO/AUX

Esta unidad puede introducir señales de sonido analógico a través de estas tomas.

Utilice un cable con clavijas fono RCA gráficas para conectar equipos de audio (Reproductor DVD, giradiscos, reproductores de discos láser, reproductores de minidiscos, vídeos, televisores, etc.). Conecte la clavija roja a la toma **VIDEO/AUX R** y la clavija blanca a la toma **VIDEO/AUX L**.

Cuando conecte un giradiscos

Utilice un giradiscos Aiwa con amplificador ecualizador incorporado.

TOMAS MD

Estas tomas se recomiendan para conectar un reproductor de minidiscos.

Utilice un cable con clavijas fonográficas RCA. Conecte la clavija roja a la toma **MD R** y la clavija blanca a la toma **MD L**.

TOMAS LINE OUT

Esta unidad puede dar salida a señales de sonido analógico a través de estas tomas. Utilice un cable con clavijas fonográficas RCA para conectar el equipo de audio a las tomas **LINE IN** (entrada analógica). Conecte la clavija roja de un cable a **LINE OUT R** y la clavija blanca a **LINE OUT L**.

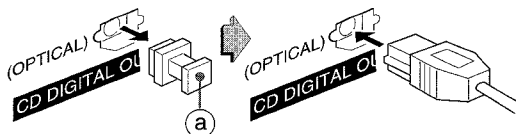
NOTA

No conecte simultáneamente un equipo a las tomas **LINE OUT** y a las tomas **VIDEO/AUX**. De lo contrario, se producirán ruidos y fallos en el funcionamiento.

TOMA CD DIGITAL OUT (OPTICAL)

Esta unidad puede dar salida a señales de sonido digital de discos compactos a través de esta toma. Utilice un cable óptico para conectar el equipo de audio digital (platina de cinta audiodigital, grabadora de minidiscos, etc.).

Quite la tapa contra el polvo (a) de la toma **CD DIGITAL OUT (OPTICAL)**. Luego, conecte la clavija del cable óptico a la toma **CD DIGITAL OUT (OPTICAL)**.



Cuando no se utilice la toma CD DIGITAL OUT (OPTICAL)
Ponga la tapa contra el polvo.

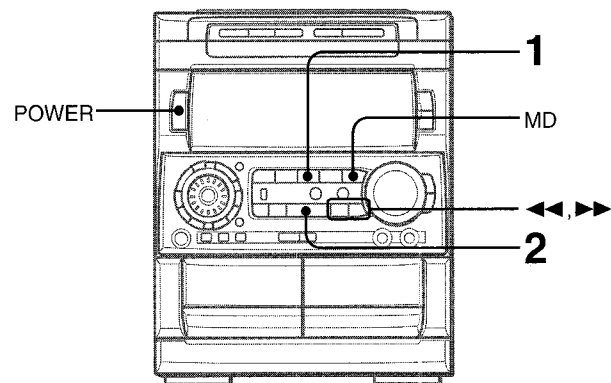
TOMA SUB WOOFER

Conecte un altavoz de subgraves activo opcional con amplificador incorporado a la toma.

TOMAS 5.1 CH INPUT

Esta unidad puede introducir señales de sonido procedentes del equipo de audio (reproductor DVD, reproductor de discos láser, etc.) que contenga un descodificador Dolby Digital con terminales de salida 5.1. ch. Consulte "CONEXION DE UN REPRODUCTOR DVD".

ESCUCHA DE FUENTES DE SONIDO EXTERNAS



Para hacer la reproducción en un equipo conectado a las tomas **VIDEO/AUX** o **MD** haga lo siguiente:

1 Pulse VIDEO/AUX/5.1 CH o MD.

Para reproducir en un equipo conectado a **VIDEO/AUX**, pulse **VIDEO/AUX/5.1 CH**. "VIDEO" aparecerá en el visualizador. Para hacer la reproducción en un equipo conectado a **MD**, pulse **MD**. "MD" aparecerá en el visualizador.

2 Haga la reproducción en el equipo conectado.

Para cambiar el nombre de una fuente de sonido en el visualizador

Cuando se pulse **VIDEO/AUX/5.1 CH**, "VIDEO" se visualizará inicialmente. Esto podrá ser cambiado por "AUX" o "TV".

Cuando la alimentación esté conectada, pulse **POWER** mientras pulsa **VIDEO/AUX/5.1 CH**.

Repita el procedimiento para seleccionar uno de los nombres.

Para ajustar el nivel del sonido de la fuente de sonido externa

Cuando el nivel del sonido de la fuente externa sea muy superior o muy inferior al nivel del sonido de otras fuentes de sonido, ajústelo de la forma siguiente:

- 1 Pulse **VIDEO/AUX/5.1 CH** o **MD** y haga la reproducción en el equipo.
- 2 Pulse ◀◀ o ▶▶ para que el nivel del sonido sea el mismo que el de otras fuentes.

NOTA

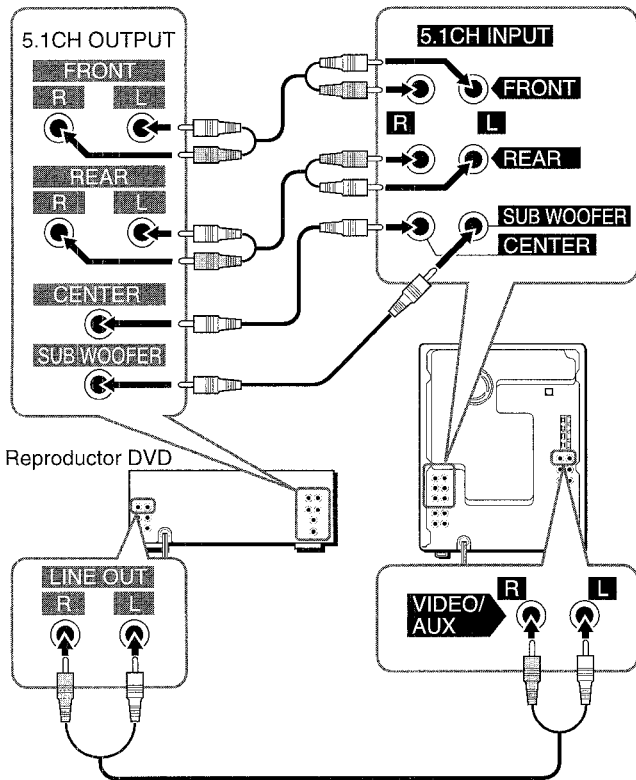
Durante la grabación, el nivel del sonido no se podrá ajustar.

CONEXION DE UN REPRODUCTOR DVD

Las tomas **5.1CH INPUT** de esta unidad soportan el sistema DOLBY DIGITAL SURROUND.

Conecte un reproductor DVD con tomas de salida 5.1CH a esta unidad utilizando cables con clavijas fonográficas RCA de la forma siguiente:

Toma del reproductor DVD	Toma de esta unidad
5.1CH OUTPUT FRONT (L,R), etc.	→ 5.1CH FRONT (L,R)
5.1CH OUTPUT REAR (L,R), etc.	→ 5.1CH REAR (L,R)
5.1CH OUTPUT CENTER, etc.	→ 5.1CH CENTER
5.1CH OUTPUT SUB WOOFER, etc.	→ 5.1CH SUB WOOFER
LINE OUT (L,R), etc.	→ VIDEO/AUX (Consulte la NOTA .)



NOTA

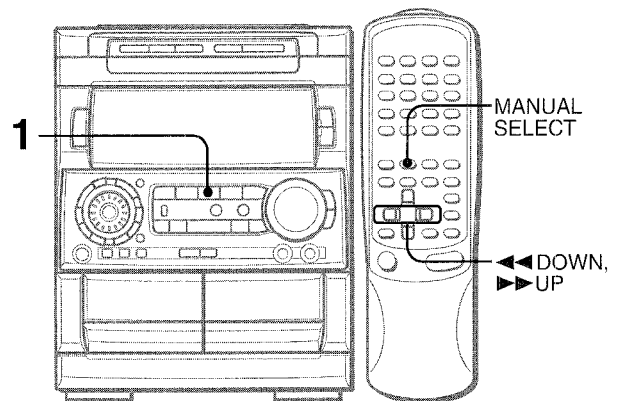
- Si el reproductor DVD no está conectado a las tomas **VIDEO/AUX** de esta unidad:
 - El analizador de espectro no muestra el nivel del sonido del reproductor DVD.
 - El sonido procedente del reproductor DVD conectado no puede ser grabado.

Para eliminar estas limitaciones, conecte las tomas **LINE OUT** del reproductor DVD a las tomas **VIDEO/AUX** de esta unidad además de conectarlas también a las tomas **5.1CH INPUT**. Las señales que pasan a través de las tomas **VIDEO/AUX** permiten que el analizador de espectro funcione y se haga la grabación.

Consulte el manual de instrucciones del reproductor DVD.

- El sonido DOLBY DIGITAL SURROUND no puede grabarse de ninguna forma.

ESCUCHA DE SONIDO DOLBY DIGITAL SURROUND



Cuando se conecte un reproductor DVD a las tomas **5.1CH INPUT** de esta unidad, usted podrá escuchar sonido DOLBY DIGITAL SURROUND, lo que le permitirá disfrutar en su hogar de un sonido de calidad igual a la de un cine.

- 1 Pulse repetidamente **VIDEO/AUX/5.1CH** hasta que se visualice "5.1 ch IN".
- 2 Inicie la reproducción del sonido **DOLBY DIGITAL SURROUND** en el reproductor DVD.

NOTA

- DOLBY PRO LOGIC, BBE y SURROUND se cancelan automáticamente cuando se selecciona 5.1 CH. * Asegúrese de que el programa reproducido con el reproductor DVD conectado soporte DOLBY DIGITAL SURROUND.
- La función cambia de 5.1 CH a VIDEO cuando:
 - Los auriculares están conectados.
 - Se cambia el nivel de MIC o ECHO.
 - Se activa la función de reproducción con patrón de ritmo, el sistema SURROUND, DOLBY PRO LOGIC o la función de Karaoke.

Para ajustar los niveles del sonido del altavoz central y de los altavoces de sonido ambiental en DOLBY DIGITAL SURROUND

- 1 Pulse repetidamente **VIDEO/AUX/5.1CH** hasta que se visualice "5.1 ch IN".
- 2 Pulse repetidamente **MANUAL SELECT (TEST)**. Los nombres de los altavoces aparecen en orden de la forma siguiente:

L/R: (Equilibrio de altavoces) → CEN: Altavoz central

S-R: Altavoz de sonido ambiental derecho ← S-L: Altavoz de sonido ambiental izquierdo
- 3 Pulse **◀ DOWN** o **▶ UP** para ajustar el nivel del sonido mientras se visualiza "CEN", "S-L" o "S-R". Cada nivel podrá ajustarse entre -8 dB y +7 dB.
- 4 Repita los pasos 2 y 3 para ajustar el nivel del sonido de cada altavoz.

NOTA

Si se cambia el nivel de los altavoces de sonido ambiental o del altavoz central de DOLBY DIGITAL SURROUND, el del sistema SURROUND (página 11) y el de DOLBY PRO LOGIC (página 21) cambiará también.

CUIDADOS Y MANTENIMIENTO

El mantenimiento y el cuidado ocasional de la unidad y del software resultan necesarios para optimizar las prestaciones de su unidad.

Para limpiar la caja

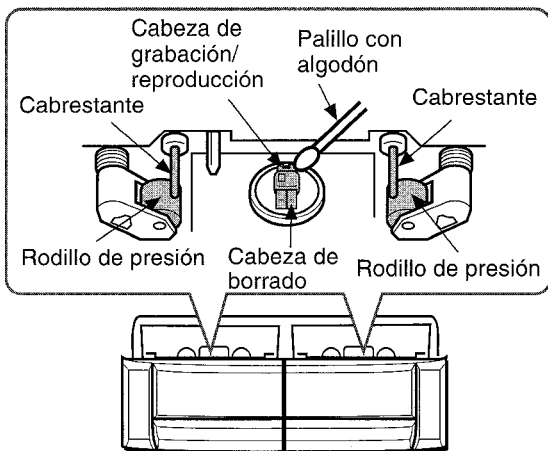
Utilice un paño blando y seco.

Si las superficies están muy sucias, utilice un paño suave humedecido un poco en una solución de detergente suave. No utilice disolventes fuertes tales como alcohol, bencina o diluyente porque éstos podrían estropear el acabado de la unidad.

Para limpiar las cabezas y los puntos por donde pasa la cinta

Después de cada 10 horas de funcionamiento, limpie las cabezas y los puntos por donde pasa la cinta con un casete de limpieza de cabezas o un palillo con algodón humedecido con líquido de limpieza o alcohol desnaturalizado. (Estos juegos de limpieza pueden adquirirse en los comercios del ramo.)

Cuando limpie con un palillo con algodón, limpie la cabeza de grabación/reproducción (platina 2 solamente), la cabeza de borrado (platina 2 solamente), los cabrestantes y los rodillos de presión.



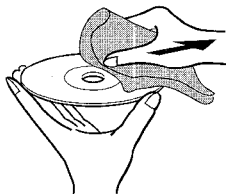
Después de limpiar las cabezas y los puntos por donde pasa la cinta con un casete de limpieza de cabezas que emplee líquido o un palillo con algodón humedecido en líquido de limpieza, espere hasta que las partes limpiadas estén completamente secas antes de introducir las cintas.

Para desmagnetizar las cabezas

Las cabezas se magnetizan después de utilizarlas durante mucho tiempo. Esto puede reducir la gama de salida de las cintas grabadas y aumentar el ruido. Después de 20 a 30 horas de utilización, desmagnetice las cabezas con un desmagnetizador de venta en el comercio del ramo.

Cuidado de los discos

• Cuando un disco esté sucio, límpielo pasando un paño de limpieza desde el centro hacia afuera.



• Después de reproducir un disco, guárdelo en su caja. No deje los discos en lugares calientes o húmedos.

Cuidados de las cintas

- Guarde las cintas en sus cajas después de utilizarlas.
- No deje las cintas cerca de imanes, motores, televisores o cualquier otra fuente de magnetismo. Esto reducirá la calidad del sonido y causará ruidos.
- No exponga cintas a la luz directa del sol, ni las deje en el interior de un automóvil estacionado bajo la luz directa del sol.

GUIA PARA LA SOLUCION DE PROBLEMAS

Si la unidad no funciona como se describe en este manual de instrucciones, compruebe la guía siguiente:

GENERALIDADES

No hay sonido.

- ¿Está bien conectado el cable de alimentación de CA?
- ¿Hay alguna conexión mal hecha? (→ página 4)
- Puede haber un cortocircuito en los terminales de los altavoces.
 - Desconecte el cable de alimentación de CA y corrija las conexiones de los altavoces.
- ¿Se ha pulsado un botón de función equivocado?

Sólo sale sonido de un altavoz.

- ¿Está el otro altavoz desconectado?

La salida de sonido no es estéreo.

- ¿Está activada la función de Karaoke? (→ página 23)

Se produce una visualización errónea o un mal funcionamiento.

→ Vuelva a ajustar la unidad como se indica más abajo.

SECCION DEL SINTONIZADOR

Hay un ruido de estática constante en forma de onda.

- ¿Está conectada correctamente la antena? (→ página 5)
- ¿Es débil la señal?
 - Conecte una antena exterior.

La recepción tiene interferencias o el sonido está distorsionado.

- ¿Capta el sistema ruidos externos o distorsión de múltiples trayectorias?
 - Cambie la orientación de la antena.
 - Separe la unidad de otros aparatos eléctricos.

SECCION DE LA PLATINA

La cinta no se mueve.

- ¿Está la platina 2 en el modo de pausa? (→ página 13)

El sonido está desequilibrado o no alcanza la altura suficiente.

- ¿Está sucia la cabeza de reproducción? (→ página 29)

No es posible grabar.

- ¿Está rota la lengüeta de prevención contra borrado? (→ página 14)
- ¿Está sucia la cabeza de grabación? (→ página 29)

No es posible borrar la grabación.

- ¿Está sucia la cabeza de borrado? (→ página 29)
- ¿Está utilizando una cinta de metal?

No se emite sonido de alta frecuencia.

- ¿Está sucia la cabeza de grabación/reproducción? (→ página 29)
- ¿Está reproduciéndose una cinta grabada sin Dolby NR con el sistema Dolby NR activado? (→ página 17)

SECCION DEL REPRODUCTOR DE DISCOS COMPACTOS

El reproductor de discos compactos no puede reproducir.

- ¿Está bien puesto el disco? (→ página 15)
- ¿Está sucio el disco? (→ página 29)
- ¿Afecta la condensación a la lente?
 - Espere una hora aproximadamente y pruebe otra vez.

Para reajustar la unidad

Si se produce alguna condición extraña en el visualizador o en las platinas, reajuste la unidad de la forma siguiente:

- 1 Pulse **POWER** para desconectar la alimentación.
- 2 Pulse **POWER** para conectar la alimentación mientras pulsa **■ CLEAR**. Todo lo que haya sido almacenado en la memoria después de haber adquirido la unidad se borrará.

Si no puede desconectarse la alimentación en el paso 1 debido a algún mal funcionamiento, reajuste la unidad desconectando el cable de alimentación de CA y conectándolo de nuevo. Luego ejecute el paso 2.

ESPECIFICACIONES

Unidad principal CX-NMT920

Sección del sintonizador de FM

Gama de sintonización	87,5 MHz a 108 MHz
Sensibilidad útil (IHF)	13,2 dBf
Terminales de antena	75 ohmios (desequilibrada)

Sección del sintonizador de AM

Gama de sintonización	530 kHz a 1710 kHz (pasos de 10 kHz) 531 kHz a 1602 kHz (pasos de 9 kHz)
Sensibilidad útil	350 μ V/m
Antena	Antena de cuadro

Sección del amplificador

Potencia de salida	Altavoces delanteros 100 W + 100 W (50 Hz – 20 kHz, distorsión armónica total inferior al 1%, 6 ohmios) Altavoces traseros (sonido ambiental) 33 W + 33 W (50 Hz – 20 kHz, distorsión armónica total inferior al 1%, 8 ohmios) Altavoz central 33 W (50 Hz – 20 kHz, distorsión armónica total inferior al 1%, 8 ohmios)
Distorsión armónica total	0.1 % (90 W, 1 kHz, 6 ohmios, DIN AUDIO/Delantero)
Entradas	VIDEO/AUX: 210 mV (ajustable) MD: 210 mV (ajustable) MIC1, MIC2: 1,4 mV (10 kohmios) 5,1CH INPUT FRONT (L,R): 400 mV REAR (L,R): 400 mV CENTER: 400 mV SUB WOOFER: 400 mV
Salidas	LINE OUT: 280 mV SUB WOOFER: 1V SPEAKERS: Acepta altavoces de 6 ohmios o más SURROUND SPEAKERS: Acepta altavoces de 8 ohmios a 16 ohmios CENTER SPEAKER: Acepta altavoces de 8 ohmios o más PHONES (toma estéreo): Acepta auriculares de 32 ohmios o más

Sección de la platina

Formato de pistas	4 pistas, 2 canales estéreo
Respuesta de frecuencia	Cinta de CrO ₂ : 50 Hz–16000 Hz Cinta normal: 50 Hz–15000 Hz
Relación señal a ruido	60 dB (Dolby B NR ON, nivel de cresta de cinta CrO ₂)
Sistema de grabación	Polarización de CA
Cabezas	Platina 1: 1 cabeza de reproducción Platina 2: 1 cabeza de grabación/reproducción, 1 cabeza de borrado

Sección del reproductor de discos compactos

Láser	Láser de semiconductor ($\lambda = 780$ nm)
Convertidor D-A	1 bit doble
Relación señal a ruido	85 dB (1 kHz, 0 dB)
Distorsión armónica	0,05% (1 kHz, 0 dB)
Fluctuación y trémolo	No se puede medir

Generalidades

Alimentación	120 V CA, 60 Hz
Consumo	185 W
Dimensiones de la unidad principal (An x Al x Prof)	260 x 329 x 369 mm
Peso de la unidad principal	11,2 kg

Sistema de altavoces SX-NA902


Tipo de caja	3 vías, reflejo de graves (tipo de blindaje antimagnético)
Altavoces	Altavoz para graves: Tipo cónico de 160 mm Altavoz para agudos: Tipo cónico de 80 mm Altavoz para superagudos: Tipo cerámico de 20 mm 6 ohmios
Impedancia	
Nivel de presión acústica de salida	87 dB/W/m
Dimensiones (An x Al x Prof)	240 x 324 x 283 mm
Peso	5,2 kg

Las especificaciones y el aspecto exterior están sujetos a cambios sin previo aviso.

BBE SYSTEM

La sigla "BBE" y el símbolo "BBE" son marcas registradas de BBE Sound, Inc.
Bajo licencia de BBE Sound, Inc.

DOLBY NR/DOLBY PRO LOGIC

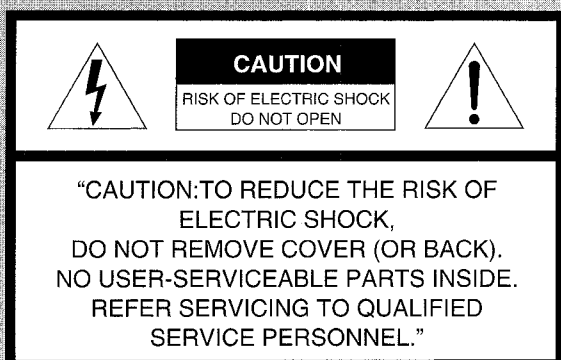
Fabricado bajo licencia de Dolby Laboratories Licensing Corporation.
DOLBY, el símbolo de la doble D  y "PRO LOGIC" son marcas de Dolby Laboratories Licensing Corporation.

DERECHOS DE AUTOR

Sírvase comprobar las leyes de derechos de autor relacionadas con la grabación de discos, de la radio o de cintas del país en el que se utilice el aparato.

AVERTISSEMENT

POUR REDUIRE LE RISQUE DE COURT-CIRCUIT OU DE CHOC ELECTRIQUE, NE PAS EXPOSER CET APPAREIL A LA PLUIE OU A L'HUMIDITE.



Signification des symboles graphiques:



L'éclair portant une flèche, situé dans un triangle équilatéral, sert à prévenir l'utilisateur de la présence d'une "tension dangereuse" non isolée à l'intérieur de l'appareil, assez élevée pour constituer un risque d'électrocution.



Le point d'exclamation situé dans un triangle équilatéral sert à prévenir l'utilisateur de la présence d'instructions importantes concernant l'utilisation et l'entretien (ou la réparation) de l'appareil dans le manuel qui accompagne ce dernier.

Relevé du propriétaire


Pour plus de commodité, noter le numéro de modèle et le numéro de série (ces numéros se trouvent au dos de l'appareil) dans les cases ci-dessous. Prière de mentionner ces numéros quand on contacte un distributeur Aiwa en cas de difficulté.

N° de modèle	N° de série (N° de lot)
CX-NMT920	
SX-NA902	
SX-R275	
SX-C605	

PRECAUTIONS

Lire le mode d'emploi attentivement et complètement avant d'utiliser l'appareil. Garder le mode d'emploi pour toute référence future. Tous les avertissements et toutes les précautions donnés dans le mode d'emploi et sur l'appareil doivent être suivis à la lettre, aussi bien que les suggestions de sécurité suivantes.

Installation

- Eau et humidité** — Ne pas utiliser cet appareil près d'eau, comme près d'une baignoire, d'une cuvette, d'une piscine ou autre.
- Chaleur** — Ne pas utiliser cet appareil près de sources de chaleur, comme sorties de chauffage, poêles ou autres appareils qui dégagent de la chaleur. L'appareil ne doit pas être soumis à des températures inférieures à 5°C ou supérieures à 35°C.
- Surface d'utilisation** — Poser l'appareil sur une surface plate et lisse.
- Ventilation** — L'appareil doit être positionné avec un espace suffisant autour afin d'assurer une dissipation adéquate de la chaleur. Laisser un espace de 10 cm derrière et dessus l'appareil, et un espace de 5 cm de chaque côté.
 - Ne pas mettre l'appareil sur un lit, un tapis ou sur une surface similaire qui pourrait obstruer les orifices de ventilation.
 - Ne pas mettre l'appareil dans une bibliothèque, un coffret ou un meuble complètement fermé où l'aération serait insuffisante.
- Entrée d'objets et de liquide** — Faire attention à ce que aucun corps étranger ou liquide ne pénètre dans l'appareil pas les orifices de ventilation.
- Chariot et support** — Si l'appareil est posé ou monté sur un support ou un chariot, déplacer ce dernier avec précaution. Les arrêts brusques, une force excessive et les surfaces inégales peuvent provoquer le renversement ou la chute de l'appareil et du chariot.
 
- Condensation** — De la condensation peut se former sur la lentille du capteur du lecteur de disques compacts quand:
 - l'appareil est déplacé d'un endroit froid à un endroit chaud.
 - le chauffage vient juste d'être mis en marche.
 - l'appareil est utilisé dans une pièce très humide.
 - l'appareil est refroidi par un climatiseur.
 S'il y a de la condensation à l'intérieur de cet appareil, il risque de ne pas fonctionner correctement. Le cas échéant, laisser l'appareil pendant quelques heures, puis essayer de nouveau de l'utiliser.
- Fixation à un mur ou un plafond** — L'appareil ne doit pas être fixé à un mur ou un plafond, à moins que ce ne soit spécifié dans le mode d'emploi.

Energie électrique

- Alimentations électriques** — Brancher cet appareil uniquement aux alimentations électriques spécifiées dans le mode d'emploi, et comme indiqué sur l'appareil.
- Polarisation** — Comme mesure de sécurité, certains appareils sont munis de fiches polarisées d'alimentation secteur qui ne peuvent être introduites que dans un sens dans une prise de courant. S'il est difficile ou impossible d'insérer la fiche d'alimentation secteur dans une prise, retourner la fiche et essayer de nouveau. Si l'on ne peut toujours pas insérer la fiche dans la prise, s'adresser à un électricien qualifié pour faire réparer ou changer la prise. Afin de ne pas annuler la sécurité de la fiche polarisée, ne pas insérer cette fiche en force dans une prise.

TABLE DES MATIERES

3 Cordon d'alimentation secteur

- Pour débrancher le cordon d'alimentation secteur, le tirer par sa fiche. Ne pas tirer sur le cordon proprement dit.
- Ne jamais tenir la fiche d'alimentation secteur avec les mains mouillées, cela pourrait se traduire par un court-circuit ou un choc électrique.
- Les cordons d'alimentation doivent être installés de manière à ne pas être pliés, pincés ou piétinés. Faire particulièrement attention au cordon allant de l'appareil à la prise de courant.
- Eviter de surcharger les prises d'alimentation et les rallonges au-delà de leur capacité, cela pourrait se traduire par un court-circuit ou un choc électrique.

4 Rallonge — Afin d'éviter tout choc électrique, ne pas utiliser une fiche polarisée d'alimentation secteur avec une rallonge ou une prise si cette fiche ne peut pas être insérée complètement de manière que ses lames ne soient pas exposées.

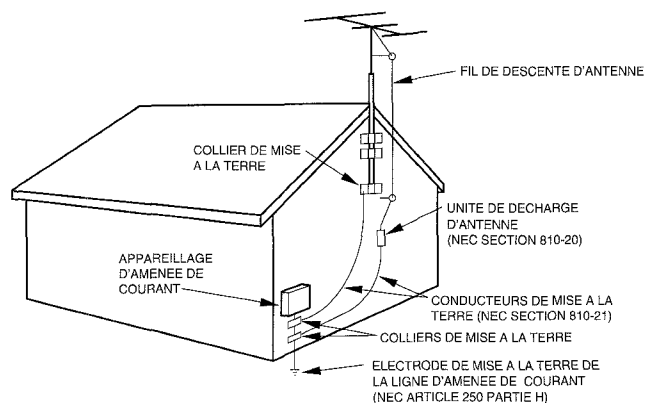
5 Périodes de non-utilisation — Débrancher le cordon d'alimentation secteur de la prise de courant si l'appareil ne doit pas être utilisé pendant plusieurs mois ou plus. Quand le cordon est branché, un courant de faible intensité continue de circuler dans l'appareil même si l'alimentation est coupée.

Antenne extérieure

1 Lignes d'amenée de courant — Quand on branche une antenne extérieure, s'assurer qu'elle est située à l'écart de toute ligne d'amenée de courant.

2 Mise de l'antenne extérieure à la terre — Afin d'assurer une protection contre toute impulsion de tension et contre toute accumulation d'électricité statique, s'assurer que l'antenne est correctement mise à la terre. L'article 810 du code national d'électricité (NEC), ANSI/NFPA 70, fournit des informations au sujet de la mise à la terre du mât, de la structure de support et du conducteur arrivant à l'unité de décharge d'antenne et au sujet des dimensions des conducteurs de mise à la terre, de la connexion aux électrodes de mise à la terre et des exigences concernant ces électrodes.

Mise à la terre d'une antenne selon le code national d'électricité (NEC)



NEC: CODE NATIONAL D'ELECTRICITE

Entretien

Nettoyer l'appareil uniquement comme recommandé dans le mode d'emploi.

Domage nécessitant une réparation

S'adresser à un technicien qualifié pour faire réparer l'appareil si:

- Le cordon ou la fiche d'alimentation secteur de l'appareil est endommagé
 - Tout corps étranger ou liquide est entré dans l'appareil
 - L'appareil a été exposé à la pluie ou à de l'eau
 - L'appareil ne semble pas fonctionner normalement
 - L'appareil présente un changement notable de performances
 - L'appareil a subi un choc, ou son coffret a été endommagé
- N'ESSAYEZ PAS DE REPARER L'APPAREIL VOUS-MEME.**

PRECAUTIONS	1
-------------------	---

PREPARATIONS

INSTALLATION	3
TELECOMMANDE	5
AVANT L'UTILISATION	6

SON

REGLAGES AUDIO	7
FONCTION GENERATION DE RYTHME (BEAT MASTER)	7
EGALISEUR GRAPHIQUE	8
SURROUND DSP	10

RECEPTION RADIO

ACCORD MANUEL	11
MEMORISATION DE STATIONS	12

LECTURE DE CASSETTES

OPERATIONS DE BASE	13
LECTURE CONTINUE	14

LECTURE DE DISQUES COMPACTS

OPERATIONS DE BASE	15
LECTURE PROGRAMMEE	16

ENREGISTREMENT

ENREGISTREMENT DE BASE	17
DUPLICATION MANUELLE D'UNE CASSETTE	18
DUPLICATION DE LA TOTALITE D'UNE CASSETTE ..	18
ENREGISTREMENT AVEC MONTAGE ET CALCUL DU TEMPS	19
ENREGISTREMENT AVEC MONTAGE PROGRAMME	20

DOLBY PRO LOGIC

REGLAGE DE LA BALANCES DES NIVEAUX DES ENCEINTES	21
LECTURE AVEC LE SYSTEME DOLBY PRO LOGIC ...	22

KARAOKE

MIXAGE AVEC MICROPHONE	23
PROGRAMME DE KARAOKE	24

HORLOGE ET MINUTERIE

REGLAGE DE L'HORLOGE	25
REGLAGE DE LA MINUTERIE D'ARRET	25
REGLAGE DE LA MINUTERIE	26

AUTRES CONNEXIONS

CONNEXION D'UN APPAREIL OPTIONNEL	27
ECOUTE DE SOURCES EXTERNES	27
CONNEXION D'UN LECTEUR DE DVD	28

GENERALITES

SOINS ET ENTRETIEN	29
EN CAS DE PROBLEME	29
SPECIFICATIONS	30

NOMENCLATURE	Couverture du dos
--------------------	-------------------

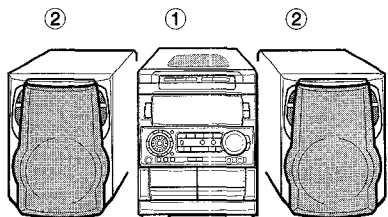
F

INSTALLATION

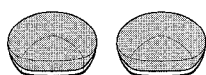
Le système DOLBY PRO LOGIC, caractéristique la plus marquante de cette chaîne stéréo, permet d'obtenir un son multi-canaux à domicile.

Effectuer l'installation et la connexion de l'appareil principal, des enceintes fournies, de votre téléviseur et de votre appareil vidéo en procédant comme décrit ci-après.

Contrôler la chaîne et les accessoires.



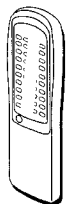
- ① CX-NMT920 Radio magnétocassette lecteur de disques compacts stéréo
- ② SX-NA902 Enceintes avant



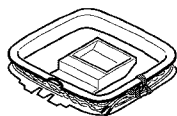
SX-R275
Enceintes surround



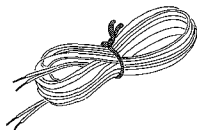
SX-C605
Enceinte centrale



Télécommande



Antenne AM

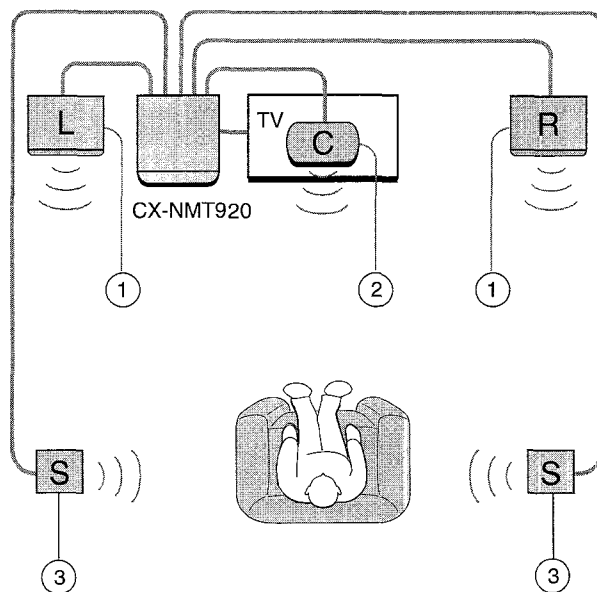


Antenne FM

Mode d'emploi, etc.

POSITIONNEMENT DES ENCEINTES

Pour obtenir les meilleurs effets possibles du système DOLBY PRO LOGIC, il est important de positionner les enceintes correctement. Se reporter à l'illustration suivante pour trouver le meilleur emplacement dans votre salle.



- ① **Enceintes avant**
- ② **Enceinte centrale**
Positionner cette enceinte au milieu des deux enceintes avant. En plus, si on branche un téléviseur à la chaîne, positionner l'enceinte centrale sur ou sous ce téléviseur.
- ③ **Enceintes surround**
Mettre les enceintes surround directement sur les côtés de la zone d'écoute ou légèrement derrière cette zone. Les aligner horizontalement, à environ un mètre au-dessus de la hauteur des oreilles.

REMARQUE

- Aucun son ne sort par les enceintes centrale et surround quand le système DOLBY PRO LOGIC, le système SURROUND et l'entrée 5.1 CH (voir page 28) sont hors service.
- L'enceinte centrale fonctionne quand le système DOLBY PRO LOGIC ou l'entrée 5.1 CH (voir page 28) est en service.

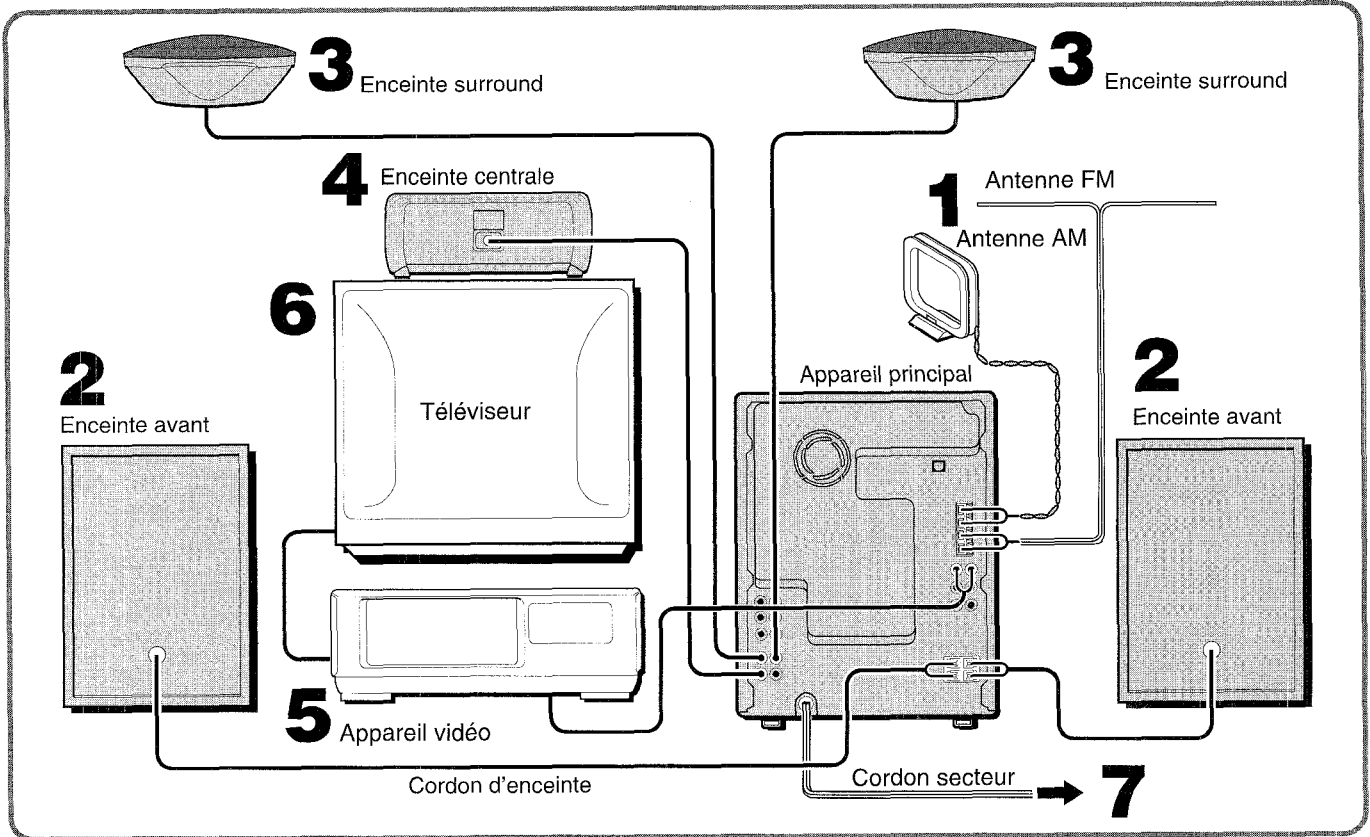
CONNEXIONS

Avant de brancher le cordon secteur

La tension nominale d'alimentation secteur de l'appareil, indiquée au dos de ce dernier, est de 120V. S'assurer que cette tension nominale correspond à celle du secteur local.

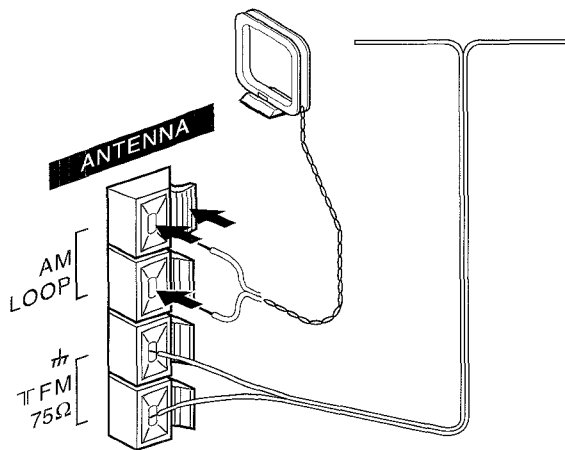
IMPORTANT:

Commencer par brancher les enceintes, les antennes et tout appareil optionnel. Brancher le cordon secteur en dernier.



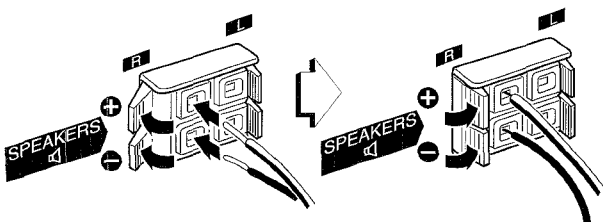
1 Connecter les antennes fournies.

Connecter l'antenne FM aux bornes **FM 75 Ω** et l'antenne AM aux bornes **AM LOOP**.



2 Connecter les enceintes avant.

L'enceinte se trouvant sur le côté droit de l'appareil quand celui-ci est en face de soi est "l'enceinte droite" et l'autre est "l'enceinte gauche".

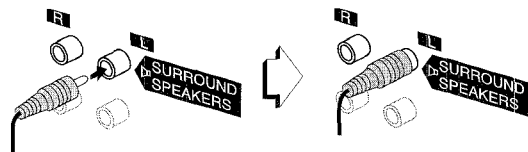


Les cordons rayés de blanc doivent être connectés aux bornes **+** et les autres cordons aux bornes **-**.

3 Connecter les enceintes surround.

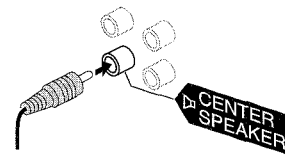
Connecter les cordons d'enceinte surround aux bornes **SURROUND SPEAKERS**.

Il n'y a pas de différence entre les enceintes surround. Chacune d'entre elles peut être connectée comme enceinte droite (R) ou gauche (L).



4 Connecter l'enceinte centrale.

Connecter le cordon de l'enceinte centrale à la borne **CENTER SPEAKER**.



5 Connecter l'appareil vidéo.

A l'aide d'un cordon de raccordement audio optionnel, connecter la prise **VIDEO/AUX** de cet appareil à la prise de sortie audio de l'appareil vidéo.

6 Connecter le téléviseur à l'appareil vidéo.

Pour plus de détails, voir le mode d'emploi de l'appareil connecté.

7 Brancher le cordon secteur à une prise de courant.

Pour positionner les antennes

Antenne FM intérieure:

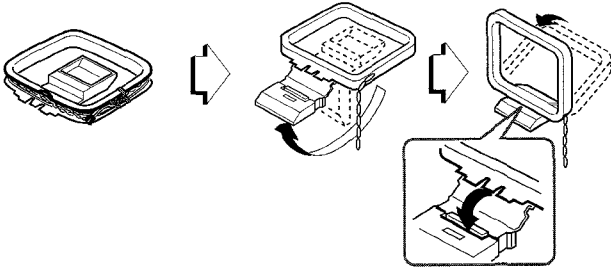
Déployer cette antenne horizontalement selon la forme d'un T et fixer ses extrémités à un mur.

Antenne AM:

Orienter cette antenne de manière à obtenir la meilleure réception possible.

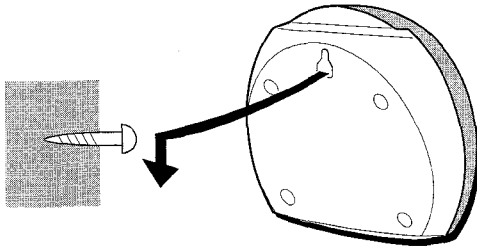
Pour poser l'antenne AM sur une surface

Fixer la griffe dans la rainure.



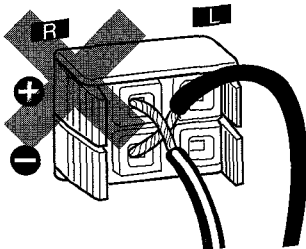
Pour fixer les enceintes surround à un mur

Fixer chaque enceinte à un endroit qui peut supporter son poids.



REMARQUE

- Faire attention à connecter les cordons d'enceinte correctement. Des connexions incorrectes peuvent provoquer des courts-circuits dans les bornes **SPEAKERS**.

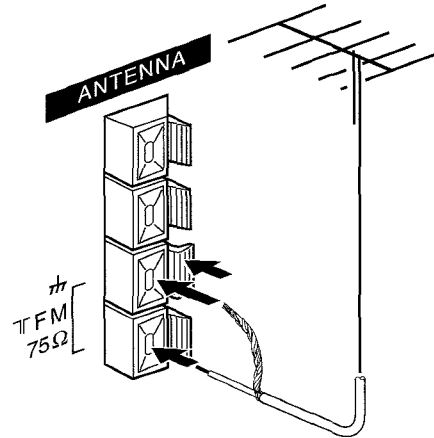


- Ne pas laisser d'objets produisant un champ magnétique, tels que des cartes de crédit, près des enceintes; ils pourraient être endommagés.
- Ne pas mettre l'antenne FM près d'objets métalliques ou de tringles à rideaux.
- Ne pas mettre l'antenne AM près d'un appareil optionnel, de la chaîne stéréo proprement dite, du cordon secteur ou des cordons d'enceinte; elle pourrait capter des parasites.
- Ne pas dérouler le fil de l'antenne AM.

CONNEXION D'UNE ANTENNE EXTERIEURE

Pour obtenir une meilleure réception FM, il est recommandé d'utiliser une antenne extérieure.

Connecter l'antenne extérieure aux bornes **FM 75 Ω**.

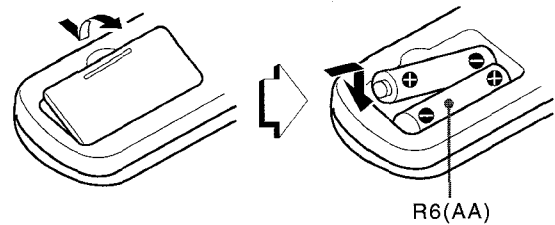


Pour connecter un appareil optionnel → pages 27 et 28.

TELECOMMANDE

Mise en place des piles

Enlever le couvercle des piles du dos de la télécommande et mettre deux piles R6 (taille AA) en place.



Quand remplacer les piles

La distance maximale de fonctionnement de la télécommande entre cette dernière et le capteur situé sur l'appareil principal doit être d'environ cinq mètres. Lorsque cette distance diminue, remplacer les piles par des neuves.

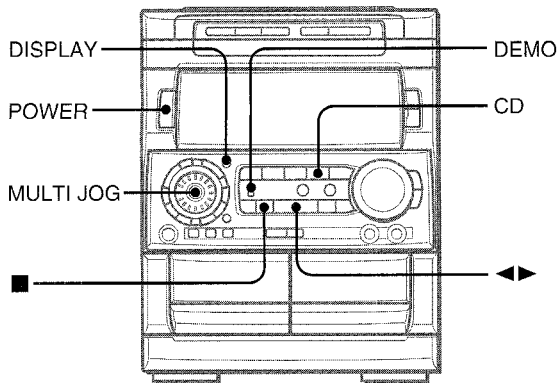
Utilisation de la télécommande

Les instructions données dans ce manuel concernent principalement les touches de l'appareil principal. Les touches de la télécommande portant les mêmes noms que celles de l'appareil principal peuvent également être utilisées.

REMARQUE

- Si la télécommande ne doit pas être utilisée pendant longtemps, enlever les piles pour éviter tout risque de fuite d'électrolyte.
- La télécommande risque de ne pas fonctionner correctement quand:
 - l'espace entre la télécommande et le capteur situé sur la fenêtre d'affichage est exposé à une lumière intense, comme le soleil.
 - d'autres télécommandes (téléviseur, etc.) sont utilisées à proximité.

AVANT L'UTILISATION



Pour mettre sous tension

Appuyer sur une des touches de fonction (**TAPE, TUNER, VIDEO/AUX, CD, MD**). La lecture du disque ou de la cassette en place commence, ou la station écoutée en dernier est reçue (fonction de lecture directe).

On peut aussi appuyer sur **POWER**.

Quand l'appareil est mis sous tension, le compartiment à disques peut s'ouvrir et se fermer pour réinitialisation de l'appareil.

Pour couper l'alimentation

Appuyer sur **POWER**.

Fenêtres clignotantes

Les fenêtres situées au sommet de l'appareil et sur les platines du magnétocassette s'allument ou clignotent quand l'appareil est mis sous tension.

Pour éteindre l'éclairage de la fenêtre supérieure, appuyer sur ■ tout en appuyant sur **CD**. Pour rallumer l'éclairage, répéter cette opération.

L'éclairage des platines du magnétocassette ne peut pas être éteint.

Pour assombrir l'éclairage de l'affichage

- 1 Appuyer deux fois sur **DISPLAY** de manière que "DIMMER" soit affiché.
- 2 Dans les quatre secondes, tourner **MULTI JOG** pour sélectionner le mode de luminosité comme suit.

→ DIMMER 0 ↔ DIMMER 1 ↔ DIMMER 2 ↔ DIMMER 3 ←

DIMMER 0: Affichage normal.

DIMMER 1: L'éclairage de l'affichage est plus sombre que d'habitude.

DIMMER 2: L'éclairage de l'affichage est plus sombre que dans le mode DIMMER 1.

DIMMER 3: L'éclairage de l'affichage est plus sombre que dans le mode DIMMER 2 et l'analyseur de spectre et l'éclairage des touches s'éteignent.

Pour changer l'affichage de l'analyseur de spectre

Trois types d'affichage d'analyseur de spectre sont disponibles. Appuyer une fois sur **DISPLAY**, puis tourner **MULTI JOG** dans les quatre secondes pour sélectionner l'affichage d'analyseur de spectre souhaité.

Démonstration de jeu

Quand on branche le cordon secteur, la démonstration de jeu apparaît sur la fenêtre d'affichage. Lors de la mise sous tension, la démonstration de jeu est remplacée par l'affichage d'opération. Quand l'alimentation est coupée, la démonstration de jeu est rétablie.

Pour annuler la démonstration de jeu

Appuyer sur **DEMO**. Pour rétablir la démonstration de jeu, appuyer de nouveau sur **DEMO**.

Utilisation de la démonstration de jeu

- 1 Appuyer sur **DEMO** de manière que la démonstration de jeu soit affichée.
 - 2 Appuyer sur ◀▶.
 - 3 Appuyer une fois sur ■.
 - 4 Appuyer deux fois sur ■ pour arrêter les deux chiffres restants.
- On peut utiliser la démonstration de jeu avec un fond sonore en appuyant sur **DEMO** lorsque l'appareil est sous tension.

Marque des points:

On dispose de 20 points au démarrage du jeu.

Si les trois chiffres sont égaux, 50 points sont ajoutés au score.

Si les chiffres ne sont pas égaux, un point est soustrait.

Si le total des points atteint 9999, on a gagné.

Si le total des points tombe à 0, on a perdu

Pour réinitialiser la démonstration de jeu

Appuyer deux fois sur **DEMO**, puis appuyer sur ◀▶. Le jeu redémarre.

Pour supprimer le son du jeu

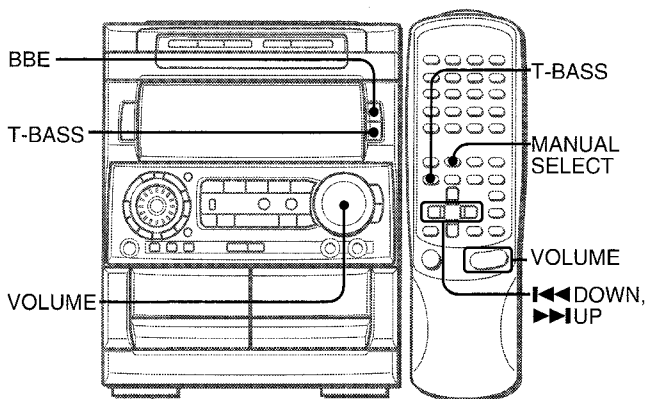
Commencer par annuler la démonstration de jeu en appuyant sur **DEMO**. Ensuite, tenir **DEMO** enfoncée jusqu'à ce que "♪♪ OFF" soit affiché. Pour rétablir le son du jeu, tenir de nouveau **DEMO** enfoncée jusqu'à ce que "♪♪ ON" soit affiché.

REMARQUE

- Pendant l'utilisation de la démonstration de jeu, ■ et ◀▶ ne sont disponibles que pour cette démonstration. Pour utiliser ces touches pour les fonctions telles que lecture de disques compacts et autre, annuler la démonstration de jeu.
- Pour changer le son du jeu, se reporter à la partie "FONCTION GENERATEUR DE RYTHME", page 7.
- Pendant la démonstration de jeu, certains indicateurs sans rapport avec l'utilisation réelle s'allument sur l'affichage.



REGLAGES AUDIO



VOLUME

Tourner **VOLUME** de l'appareil principal, ou appuyer sur **VOLUME** de la télécommande

Le niveau du volume est affiché sous la forme d'un nombre de 0 à MAX (50). Quand on coupe l'alimentation alors que le niveau du volume est réglé à 21 ou plus, ce niveau est automatiquement réglé à 20.

Pour changer la balance gauche/droite

Appuyer sur **MANUAL SELECT** de la télécommande; L/R est alors affiché pendant deux secondes. Appuyer sur **◀◀ DOWN** ou **▶▶ UP** de la télécommande dans ces deux secondes.

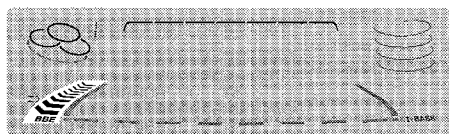
- Le niveau des enceintes avant DOLBY PRO LOGIC (voir page 21) et DOLBY DIGITAL SURROUND (voir page 28) est aussi changé.

SYSTEME BBE

Le système BBE augmente la clarté du son aux fréquences élevées. Il enrichit aussi la fonction Karaoke pour donner un son clair et agréable de la voix.

Appuyer sur BBE.

A chaque pression sur cette touche, le niveau change. Sélectionner un des trois niveaux ou la position de repos, comme on le préfère.



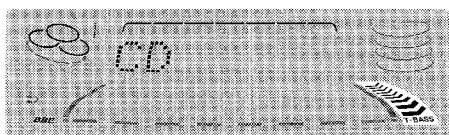
- Le système BBE ne fonctionne pas quand l'entrée 5.1 CH (voir page 28) est sélectionnée.

SYSTEME SUPER T-BASS

Le système T-BASS améliore le réalisme du son aux basses fréquences.

Appuyer sur T-BASS.

A chaque pression sur cette touche, le niveau change. Sélectionner un des trois niveaux ou la position de repos, comme on le préfère.

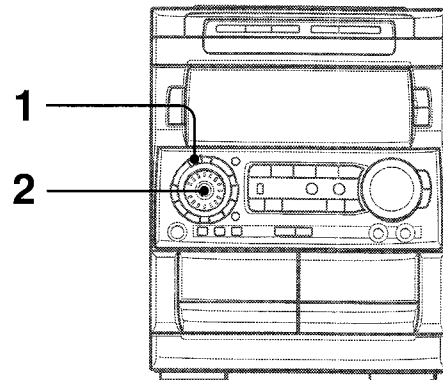


REMARQUE

Le son aux basses fréquences risque d'être déformé quand le système T-BASS est utilisé pour un disque ou une cassette dont le son aux basses fréquences est accentué d'origine. Dans ce cas, annuler le système T-BASS.

FONCTION GENERATION DE RYTHME (BEAT MASTER)

On peut écouter la musique de disques compacts, de cassettes, etc. mixée avec certains types de rythme programmés dans l'appareil.



SELECTION D'UN TYPE DE RYTHME

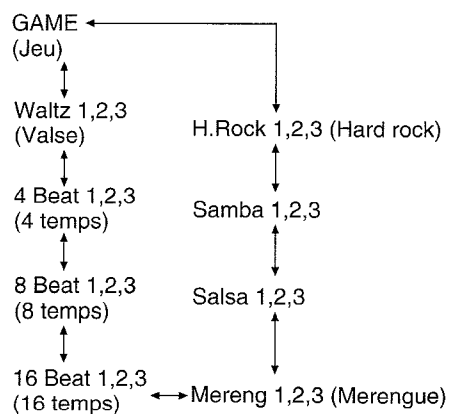
1 Appuyer sur RHYTHM.

Un des types de rythme est affiché.



2 Tourner MULTI JOG pour sélectionner le type de rythme souhaité.

Le type de rythme est affiché de manière cyclique comme suit.



Pour changer le tempo du type de rythme sélectionné

Appuyer une fois sur **RHYTHM** tandis que le type de rythme sélectionné est affiché, puis tourner **MULTI JOG** pour sélectionner le tempo du rythme.

Le tempo du rythme peut être changé de 90 à 160.



Pour changer le niveau du volume du type de rythme sélectionné

Appuyer deux fois sur **RHYTHM** tandis que le type de rythme sélectionné est affiché, puis tourner **MULTI JOG** pour sélectionner le niveau du volume.

Le niveau du volume peut être changé de 1 à 4.



Pour annuler la fonction génération de rythme

Appuyer sur **MULTI JOG**.

Pour redémarrer la fonction génération de rythme

Appuyer de nouveau sur **MULTI JOG**. Le type de rythme sélectionné en dernier démarre.

REMARQUE

- Quand le type GAME est sélectionné, le tempo et le niveau du volume du rythme ne peuvent pas être changés.
- Les signaux sortis par les prises LINE OUT sont affectés par la fonction génération de rythme.

EGALISEUR GRAPHIQUE

SELECTION D'UNE COURBE D'EGALISATION PROGRAMMEE

Cet appareil possède les cinq courbes d'égalisation programmées différentes suivantes.

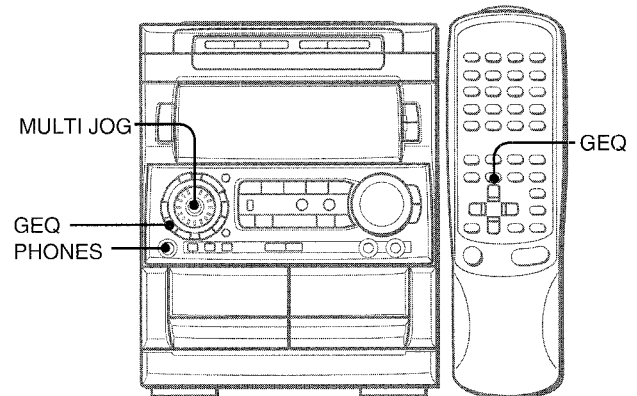
ROCK: Son puissant accentuant les aigus et les graves.

POP: Présence accrue des parties vocales et de la gamme moyenne.

JAZZ: Fréquences basses accentuées pour la musique de type jazz.

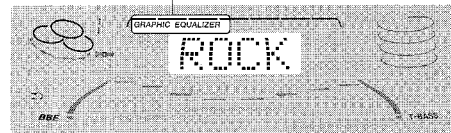
CLASSIC: Son enrichi par des graves puissants et des aigus fins.

LATIN: Fréquences élevées accentuées pour la musique latine.

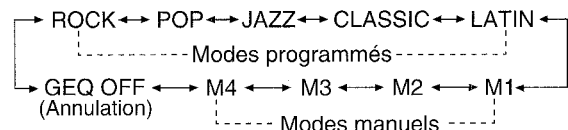


Appuyer sur **GEQ**, puis tourner **MULTI JOG** dans les quatre secondes pour sélectionner une des courbes d'égalisation programmées.

"GRAPHIC EQUALIZER" s'allume.



"GRAPHIC EQUALIZER" apparaît ("GEQ OFF" excepté) et le mode d'égalisation graphique est affiché de manière cyclique comme suit.



Pour afficher le mode d'égalisation graphique courant

Appuyer sur **GEQ**. Le mode courant est affiché pendant quatre secondes.

Pour annuler le mode sélectionné

Appuyer sur **GEQ**, puis tourner **MULTI JOG** pour sélectionner "GEQ OFF" dans les quatre secondes. "GRAPHIC EQUALIZER" disparaît.

Utilisation d'un casque

Brancher un casque muni d'une fiche stéréo standard (6,3 mm Ø) à la prise **PHONES**.

Aucun son ne sort par les enceintes quand un casque est branché.

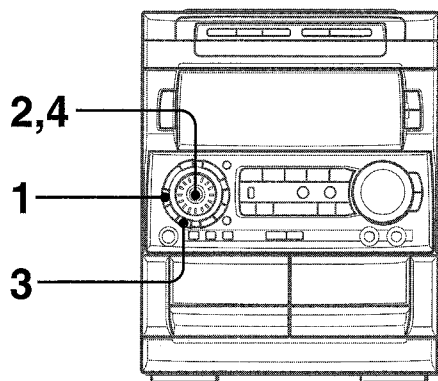
- Quand un casque est branché, le système SURROUND, le système DOLBY PRO LOGIC et l'entrée 5.1 CH (voir page 28) ne fonctionnent pas.

Réglage du son pendant l'enregistrement

On peut faire varier librement le volume de sortie et la tonalité (BBE et fonction génération de rythme exceptés) des enceintes ou du casque sans affecter l'enregistrement.

Les données d'onde acoustique intégrées à cet appareil sont la propriété, dont le droit de reproduction est réservé, de Yamaha Corporation; et Aiwa possède la licence de Yamaha Corporation.

REGLAGE MANUEL D'UNE NOUVELLE COURBE D'ÉGALISATION

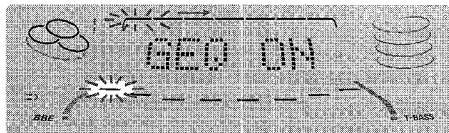


On peut personnaliser une courbe d'égalisation comme on préfère.

1 Appuyer sur GEQ LOW.

L'indicateur de niveau de la fréquence la plus basse clignote pendant quatre secondes.

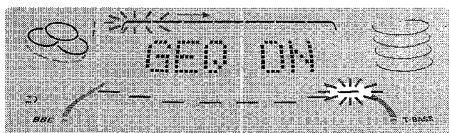
2 Dans les quatre secondes, tourner MULTI JOG pour régler le niveau de la fréquence la plus basse.



3 Appuyer sur GEQ HIGH.

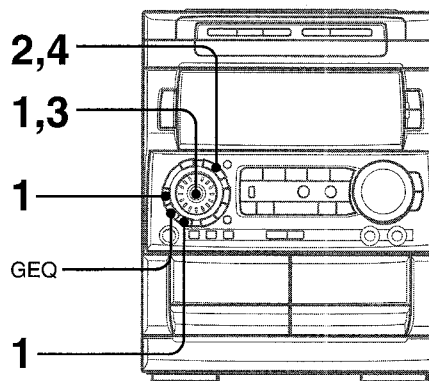
L'indicateur de niveau de la fréquence la plus élevée clignote pendant quatre secondes.

4 Dans les quatre secondes, tourner MULTI JOG pour régler le niveau de la fréquence la plus élevée.



Les niveaux des fréquences comprises entre la plus basse et la plus élevée sont réglés en conséquence.

MEMORISATION DES NOUVELLES COURBES D'ÉGALISATION



Les modes manuels M1 - M4 permettent de mémoriser jusqu'à quatre courbes d'égalisation personnalisées.

1 Régler une nouvelle courbe d'égalisation avec HIGH, LOW et MULTI JOG.

Voir la partie "REGLAGE MANUEL D'UNE NOUVELLE COURBE D'ÉGALISATION".

La courbe créée est affichée pendant quatre secondes.



2 Dans les quatre secondes, appuyer sur ENTER.

"M 1" clignote sur l'affichage pendant quatre secondes.



- Si cette étape n'est pas terminée dans les quatre secondes, appuyer d'abord sur **GEQ** pour afficher "GEO ON". Ensuite, appuyer sur **ENTER** dans les quatre secondes.

3 Dans les quatre secondes, tourner MULTI JOG pour sélectionner un des modes manuels M1 - M4 pour mémoriser la courbe.

4 Dans les quatre secondes, appuyer sur ENTER.

La nouvelle courbe d'égalisation est mémorisée.

Pour sélectionner la courbe d'égalisation mémorisée

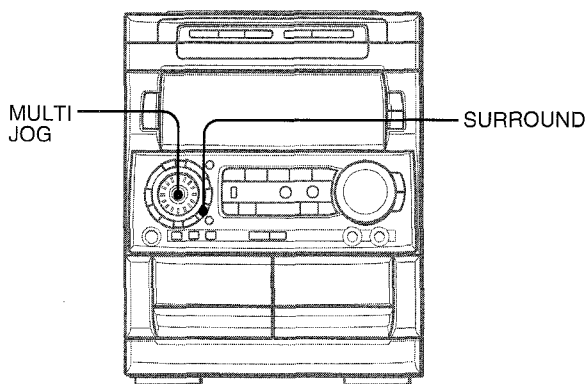
Appuyer sur **GEQ**, puis tourner **MULTI JOG** pour sélectionner un des modes manuels M1 - M4 dans les quatre secondes.

SURROUND DSP

Le système SURROUND DSP (processeur numérique de signaux) règle le temps de retard, le mode d'entrée et le niveau de rétroaction pour donner un son surround résonnant reproduisant avec réalisme la présence sonore de différents environnements.

Cet appareil a été programmé avec quatre modes SURROUND différents. On peut aussi créer et mémoriser jusqu'à quatre réglages surround personnalisés.

SELECTION D'UN MODE SURROUND DSP PROGRAMME

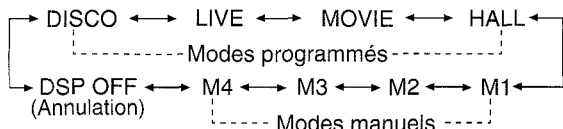


En sélectionnant un mode SURROUND DSP programmé, on peut obtenir la présence sonore d'une discothèque (DISCO), d'une représentation musicale en direct (LIVE), d'un cinéma (MOVIE) ou d'une salle de concert (HALL).

Appuyer sur SURROUND, puis tourner MULTI JOG pour sélectionner le mode programmé souhaité dans les quatre secondes.



"DSP SURROUND" apparaît et le mode SURROUND DSP est affiché de manière cyclique comme suit.



Les courbes d'égalisation sont sélectionnées automatiquement en fonction des modes SURROUND DSP et peuvent aussi être sélectionnées ou annulées comme on le préfère.

Pour afficher le mode SURROUND DSP courant

Appuyer sur **SURROUND**. Le mode courant est affiché pendant quatre secondes.

Pour annuler le mode sélectionné

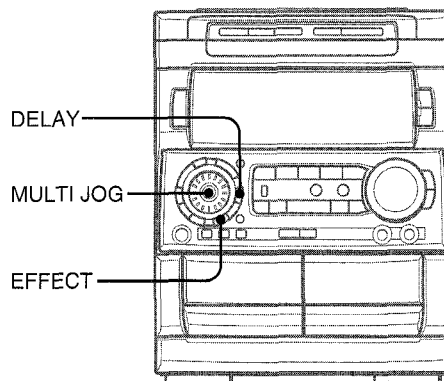
Appuyer sur **SURROUND**, puis tourner **MULTI JOG** pour sélectionner "DSP OFF" dans les quatre secondes. "DSP SURROUND" disparaît.

Quand la source musicale est monophonique

Sélectionner "LIVE" ou "MOVIE" pour obtenir un effet stéréo simulé. Quand "DISCO" ou "HALL" est sélectionné, le son n'est pas audible par les enceintes surround.

REGLAGE MANUEL D'UN NOUVEAU SON SURROUND DSP

Les éléments du son SURROUND DSP peuvent être personnalisés.



DELAY (temps de retard)

L'augmentation de la valeur numérique affichée augmente le temps de retard et l'effet surround. On peut sélectionner "15", "20", "30" ou "50" ms.

Pour régler le temps de retard

Appuyer sur **DELAY**, puis tourner **MULTI JOG** pour sélectionner une des valeurs dans les quatre secondes.



L-R, L+R (mode d'entrée)

Quand "L+R" est affiché, l'effet surround augmente, surtout au centre.

Quand "L-R" est affiché, l'effet surround augmente sur l'extérieur.

Pour sélectionner un mode d'entrée

Appuyer **une fois** sur **EFFECT**, puis tourner **MULTI JOG** pour sélectionner "L-R" ou "L+R" dans les quatre secondes.



FB (niveau de rétroaction)

L'augmentation de la valeur numérique affichée augmente l'écho. On peut sélectionner un niveau de "OFF" (0) à "7".

Pour régler le niveau de rétroaction

Appuyer **deux fois** sur **EFFECT**, puis tourner **MULTI JOG** pour sélectionner un des niveaux dans les quatre secondes.

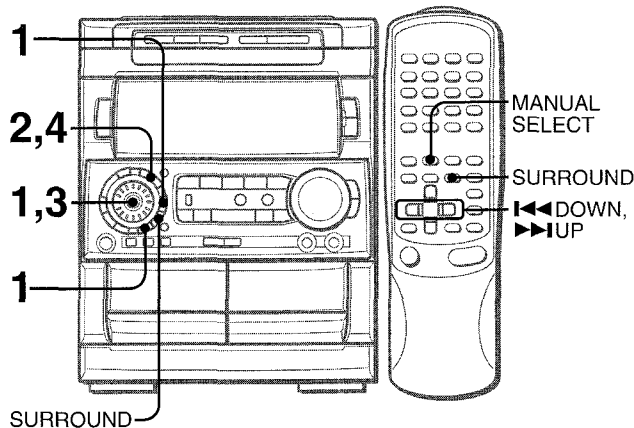


SON

F

MEMORISATION D'UN NOUVEAU SON SURROUND DSP

Les modes manuels M1 - M4 permettent de mémoriser jusqu'à quatre sons SURROUND DSP.

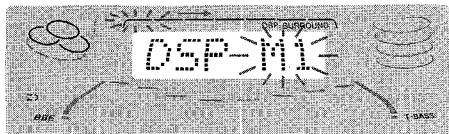


1 Régler un nouveau son SURROUND DSP avec DELAY, EFFECT et MULTI JOG.

Voir la partie "REGLAGE MANUEL D'UN NOUVEAU SON SURROUND DSP".

2 Dans les quatre secondes, appuyer sur ENTER.

"M1" clignote sur l'affichage.



- Si cette étape n'est pas terminée dans les quatre secondes, appuyer d'abord sur **SURROUND** pour afficher "DSP ON". Ensuite, appuyer sur **ENTER** dans les quatre secondes.

3 Dans les quatre secondes, tourner MULTI JOG pour sélectionner un des modes manuels M1 - M4.

4 Dans les quatre secondes, appuyer sur ENTER.

Le nouveau son SURROUND DSP est mémorisé.

Pour sélectionner le son SURROUND DSP mémorisé

Appuyer sur **SURROUND**, puis tourner **MULTI JOG** pour sélectionner un des modes manuels M1 - M4 dans les quatre secondes.

Pour régler le volume des enceintes surround

Appuyer deux ou trois fois sur **MANUAL SELECT** de la télécommande.

"S-L" ou "S-R" est affiché pendant deux secondes. Appuyer sur **DOWN** ou **UP** de la télécommande dans ces deux secondes.

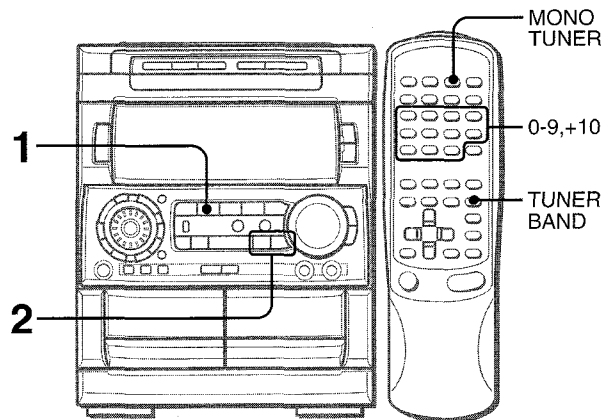
- Le niveau des enceintes surround DOLBY PRO LOGIC (voir page 21) et DOLBY DIGITAL SURROUND (voir page 28) est aussi changé.

REMARQUE

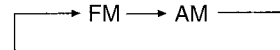
Le mode SURROUND est annulé quand:

- le niveau d'écho est changé.
- le système DOLBY PRO LOGIC est mis en service.
- un casque est branché.
- l'entrée 5.1 CH (voir page 28) est sélectionnée.

ACCORD MANUEL



1 Appuyer sur TUNER/BAND à plusieurs reprises pour sélectionner la gamme souhaitée.



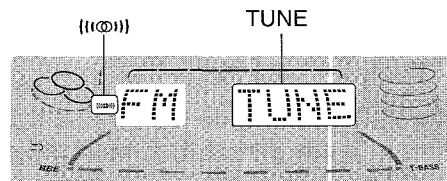
Quand on appuie sur **TUNER/BAND** alors que l'alimentation est coupée, l'appareil est mis sous tension directement.

2 Appuyer sur **DOWN** ou **UP** pour sélectionner une station.

A chaque pression sur la touche, la fréquence change.

Quand une station est reçue, "TUNE" est affiché pendant deux secondes.

Pendant la réception FM stéréo, **FM** est affiché.



Pour rechercher une station rapidement (Recherche automatique)

Tenir **DOWN** ou **UP** enfoncée jusqu'à ce que la fréquence commence à changer rapidement. Après l'accord sur une station, la recherche s'arrête.

Pour arrêter la recherche automatique manuellement, appuyer sur **DOWN** ou **UP**.

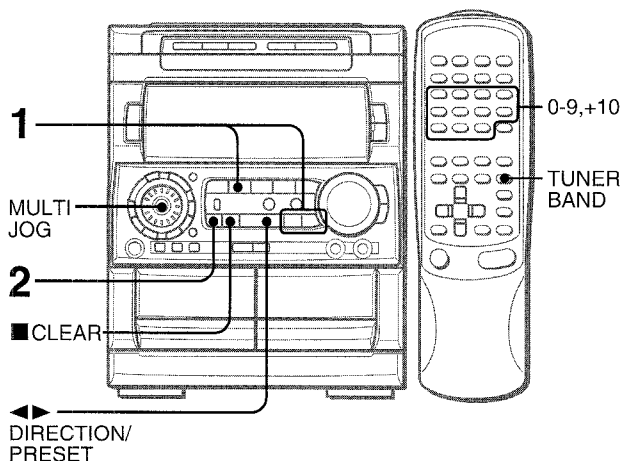
- La recherche automatique risque de ne pas s'arrêter sur les stations présentant des signaux très faibles.

Quand une émission FM stéréo présente des parasites

Appuyer sur **MONO TUNER** de la télécommande de manière que "MONO" apparaisse sur l'affichage.

Les parasites sont réduits, mais la réception est monophonique. Pour rétablir la réception stéréophonique, appuyer sur **MONO** pour faire disparaître "MONO".

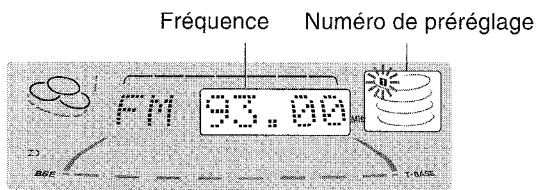
MEMORISATION DE STATIONS



L'appareil peut mémoriser un total de 32 stations. Quand une station est mémorisée, un numéro de présélection lui est affecté. Pour accorder l'appareil directement sur une station mémorisée, utiliser le numéro de présélection correspondant.

1 Appuyer sur TUNER BAND pour sélectionner une gamme, puis appuyer sur ◀◀ DOWN ou ▶▶ UP pour sélectionner une station.

2 Appuyer sur ■ SET pour mémoriser la station.
Un numéro de présélection est affecté à une station à partir de 1 dans l'ordre consécutif pour chaque gamme.



3 Répéter les étapes 1 et 2.

La station suivante ne sera pas mémorisée si un total de 32 stations ont été mémorisées pour toutes les gammes.

ACCORD SUR UNE STATION MEMORISEE

Utiliser la télécommande pour sélectionner le numéro de présélection directement.

1 Appuyer sur BAND pour sélectionner une gamme.

2 A l'aide des touches numériques 0-9 et +10, sélectionner un numéro de présélection.

Exemple:

Pour sélectionner le numéro de présélection 20, appuyer sur +10, +10 et 0.

Pour sélectionner le numéro de présélection 15, appuyer sur +10 et 5.

Sélection d'un numéro de présélection sur l'appareil principal

Appuyer sur TUNER BAND pour sélectionner une gamme. Ensuite, appuyer sur ◀▶ DIRECTION/PRESET à plusieurs reprises ou tourner MULTI JOG.

A chaque pression sur ◀▶ DIRECTION/PRESET, le numéro de présélection suivant le plus proche est sélectionné.

Suppression d'une station mémorisée

Sélectionner le numéro de présélection de la station à supprimer. Ensuite, appuyer sur ■ CLEAR puis appuyer sur ■ SET dans les quatre secondes.

Les numéros de présélection suivants de toutes les autres stations de la gamme sont aussi diminués d'une unité.

Pour changer l'intervalle d'accord AM

Le réglage par défaut de l'intervalle d'accord AM est de 10 kHz/pas. Si on utilise cet appareil dans un endroit où le système d'allocation de fréquences est de 9 kHz/pas, changer l'intervalle d'accord.

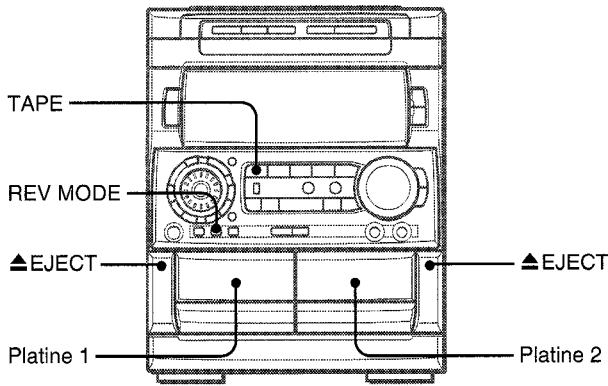
Appuyer sur POWER tout en appuyant sur TUNER BAND. Pour rétablir l'intervalle initial, procéder de la même manière.

REMARQUE

Après le changement de l'intervalle d'accord AM, toutes les stations mémorisées sont effacées. Il faut mémoriser de nouveau ces stations.

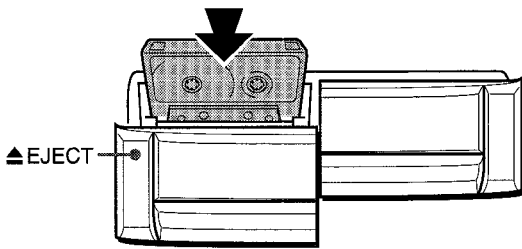
OPERATIONS DE BASE

MISE EN PLACE DE CASSETTES



- Avec la platine 1, les cassettes sont toujours lues sur les deux faces.
Avec la platine 2, on peut choisir un mode d'inversion pour lire une face ou les deux.
- Pour la lecture, utiliser des cassettes de type I (normales), de type II (haute polarisation/CrO₂) ou de type IV (métal).

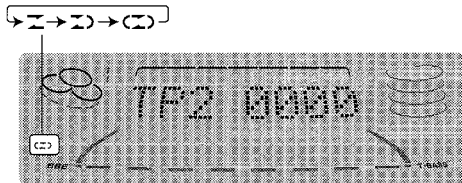
Appuyer sur **TAPE** puis appuyer sur **EJECT** pour ouvrir le porte-cassette.



Insérer une cassette avec le côté exposé du ruban magnétique en bas. Pousser le porte-cassette pour le fermer.

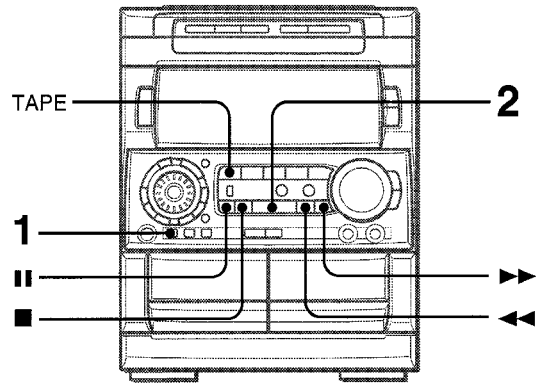
Pour sélectionner un mode d'inversion (platine 2 seulement)

A chaque pression sur **REV MODE**, le mode d'inversion change.



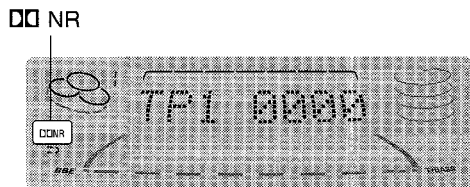
- Pour lire une seule face, sélectionner **↔**.
- Pour lire de la face avant à la face arrière une seule fois, sélectionner **↔**.
- Pour lire les deux faces à plusieurs reprises, sélectionner **(↔)**.
- Quand il y a des cassettes dans les deux platines, **(↔)** sur l'affichage signifie "Lecture continue".

LECTURE D'UNE CASSETTE



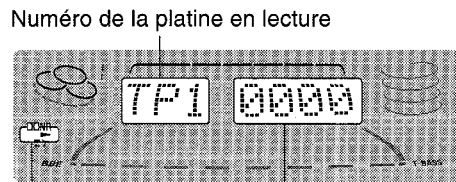
Mettre une cassette en place.

1 Appuyer sur DOLBY NR pour mettre le réducteur de bruit en ou hors service, en fonction de la cassette à lire.



Pour les cassettes enregistrées avec réducteur de bruit DOLBY, allumer **NR**.
Pour les cassettes enregistrées sans réducteur de bruit DOLBY, éteindre **NR**.

2 Appuyer sur ◀▶ pour démarrer la lecture.



Indicateur de face lue Le compteur indique la durée de défilement de la bande.

- ▶: La face avant (orientée vers l'avant) est lue.
- ◀: La face arrière (orientée vers l'arrière) est lue.

Quand il y a des cassettes en place dans les deux platines Appuyer d'abord sur **TAPE** pour sélectionner une platine. Le numéro de la platine sélectionnée est affiché.

- Pour arrêter la lecture, appuyer sur **■**.
- Pour mettre la lecture en pause (platine 2 seulement), appuyer sur **III**. Pour reprendre la lecture, appuyer de nouveau sur cette touche.
- Pour changer de face lue, appuyer sur **◀▶ DIRECTION/PRESET** pendant la lecture ou le mode pause.
- Pour obtenir une avance rapide ou un rebobinage, appuyer sur **◀◀** ou **▶▶**. Ensuite, appuyer sur **■** pour arrêter le défilement.

Pour démarrer la lecture quand l'alimentation est coupée (fonction de lecture directe)

Appuyer sur **TAPE**. L'appareil est mis sous tension et la lecture de la cassette en place commence.

Pour mettre le compteur à 0000

Appuyer sur **■ CLEAR** dans le mode arrêt. Le compteur est aussi mis à 0000 quand le porte-cassette est ouvert et fermé.

SENSEUR DE MUSIQUE

S'il y a un blanc de quatre secondes ou plus entre les plages, on peut retrouver facilement le début de la plage courante ou suivante pendant la lecture.

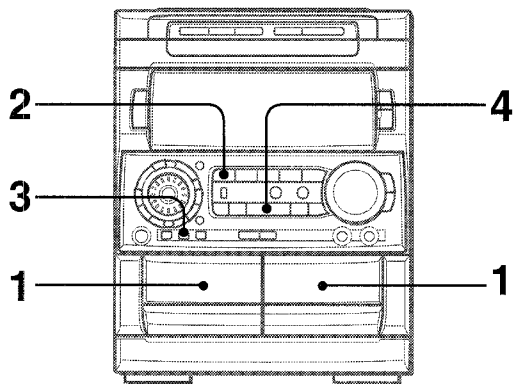
Appuyer sur ◀◀ ou ▶▶ pendant la lecture en vérifiant l'indicateur de face lue (◀ ou ▶) affiché.

Par exemple, si on appuie sur ▶▶ tandis que l'indicateur ▶ est affiché, la lecture de la plage suivante démarre.

La fonction senseur de musique risque de ne pas pouvoir détecter les plages dans les cas suivants:

- blancs de moins de quatre secondes entre les plages.
- blancs présentant des parasites.
- longs passages à bas niveau.
- enregistrements à bas niveau.

LECTURE CONTINUE



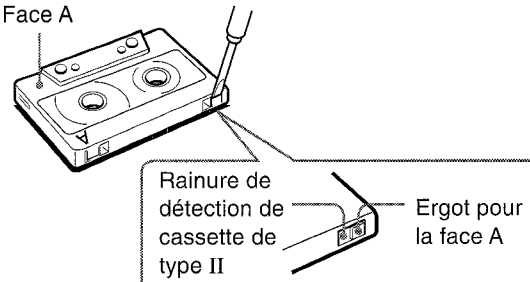
Une fois que la lecture sur une platine est terminée, la lecture de la cassette de l'autre platine démarre sans interruption.

- 1 Insérer des cassettes dans les platines 1 et 2.
- 2 Appuyer sur TAPE DECK 1/2 pour sélectionner la platine à utiliser en premier.
- 3 Appuyer sur REV MODE pour sélectionner ⏮.
- 4 Appuyer sur ◀▶ pour démarrer la lecture.
La lecture continue jusqu'à ce qu'on appuie sur ■.

Au sujet des cassettes

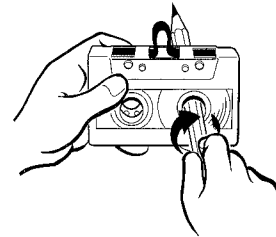
- **Pour éviter un effacement accidentel**, utiliser un tournevis ou tout autre objet effilé pour casser les ergots en plastique de la cassette après l'enregistrement.

Face A



Pour enregistrer de nouveau sur une cassette, recouvrir les cavités des ergots avec du ruban adhésif ou autre. (Sur les cassettes de type II, faire attention à ne pas recouvrir la rainure de détection de cassette de type II.)

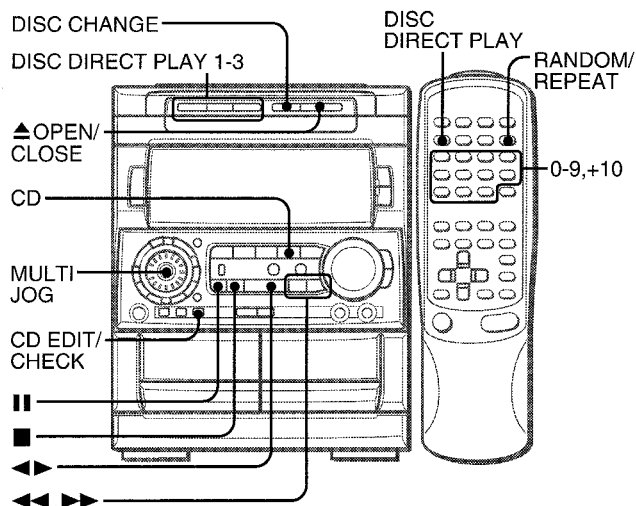
- **Le ruban magnétique des cassettes de 120 minutes ou plus** est extrêmement fin et se déforme et s'endommage facilement. Ces cassettes ne sont pas recommandées.
- **Tendre le ruban magnétique** avec un crayon ou un objet similaire avant d'utiliser une cassette. Un ruban magnétique détendu peut se rompre ou s'emmêler dans le mécanisme.



Système réducteur de bruit DOLBY

Le système de réduction de bruit Dolby réduit le souffle de la bande. Pour des performances optimum lors de la lecture d'une cassette enregistrée avec le système réducteur de bruit DOLBY, mettre le système réducteur de bruit DOLBY en service.

OPERATIONS DE BASE

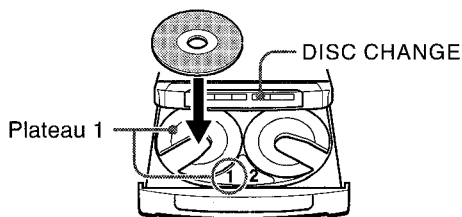


MISE EN PLACE DE DISQUES

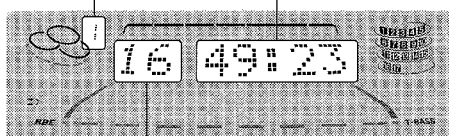
Appuyer sur **CD**, puis appuyer sur **▲ OPEN/CLOSE** pour ouvrir le compartiment à disques. Mettre le(s) disque(s) en place avec l'étiquette en haut.

Pour lire un ou deux disques, mettre les disques sur les plateaux 1 et 2.

Pour lire trois disques, appuyer sur **DISC CHANGE** pour faire tourner les plateaux après avoir mis deux disques en place. Mettre en place le troisième disque sur le plateau 3. Fermer le compartiment à disques en appuyant sur **▲ OPEN/CLOSE**.



Numéro de plateau du disque à lire Temps de lecture total



Nombre total de pages

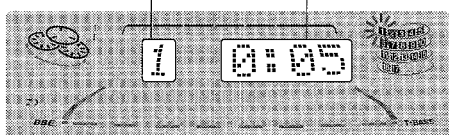
LECTURE DE DISQUES

Mettre des disques en place.

Pour lire tous les disques situés dans le compartiment, appuyer sur **◀▶**.

La lecture commence par le disque du plateau 1.

Numéro de la plage en cours de lecture Temps de lecture écoulé



Pour lire un disque seulement, appuyer sur une des touches **DISC DIRECT PLAY 1-3**.

Le disque sélectionné est lu une fois.

Pour commander la lecture avec la télécommande

Appuyer sur **DISC DIRECT PLAY**, puis appuyer sur une des touches numériques **1-3** dans les trois secondes pour sélectionner un disque.

Pour arrêter la lecture, appuyer sur **■**.

Pour mettre la lecture en pause, appuyer sur **II**. Pour reprendre la lecture, appuyer de nouveau sur cette touche.

Pour rechercher un point particulier pendant la lecture, tenir **◀◀** ou **▶▶** enfoncée jusqu'à ce que le point souhaité soit atteint.

Pour passer au début d'une plage pendant la lecture, appuyer sur **◀◀** ou **▶▶** à plusieurs reprises ou tourner **MULTI JOG**.

Pour enlever des disques, appuyer sur **▲ OPEN/CLOSE**.

Pour démarrer la lecture quand l'alimentation est coupée (fonction de lecture directe)

Appuyer sur **CD**. L'appareil est mis sous tension et la lecture du (des) disque(s) en place démarre.

Quand on appuie sur **▲ OPEN/CLOSE**, l'appareil est aussi mis sous tension et le compartiment à disques est ouvert.

Pour vérifier le temps restant

Pendant la lecture, appuyer sur **CD EDIT/CHECK**. Le temps restant jusqu'à ce que toutes les plages soient lues est affiché. Pour rétablir l'affichage du temps de lecture, répéter cette opération.

Sélection d'une plage avec la télécommande

1 Appuyer sur **DISC DIRECT PLAY**, puis appuyer sur une des touches numériques **1-3** dans les trois secondes pour sélectionner un disque.

2 A l'aide des touches numériques **0-9** et **+10**, sélectionner une plage.

Exemple:

Pour sélectionner la vingt-cinquième plage, appuyer sur **+10**, **+10** et **5**.

Pour sélectionner la dixième plage, appuyer sur **+10** et **0**.

La lecture démarre à la plage sélectionnée et continue jusqu'à la fin du disque.

Changement de disques pendant la lecture

Pendant qu'un disque est en lecture, on peut remplacer les autres disques sans interrompre la lecture.

1 Appuyer sur **DISC CHANGE**.

2 Enlever les disques et mettre d'autres disques en place.

3 Appuyer sur **▲ OPEN/CLOSE** pour fermer le compartiment à disques.

REMARQUE

- Pour mettre un disque de 8 cm en place, le poser dans le renforcement circulaire du plateau.
- Ne pas mettre plus d'un disque compact sur un plateau.
- Ne pas incliner l'appareil avec des disques en place. Cela pourrait provoquer des pannes.
- Ne pas utiliser des disques compacts de forme irrégulière (en forme de cœur ou de forme octogonale par exemple). Cela pourrait provoquer des pannes.

LECTURE ALEATOIRE/REPETEE

Utiliser la télécommande.

Lecture aléatoire

Toutes les plages du disque sélectionné ou tous les disques peuvent être lus dans un ordre aléatoire.

Lecture répétée


Un seul disque ou tous les disques peuvent être lus à plusieurs reprises.

Appuyer sur RANDOM/REPEAT.

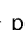
A chaque pression sur cette touche, la fonction est sélectionnée de manière cyclique.

Lecture aléatoire — RANDOM s'allume sur l'affichage.

Lecture répétée —  s'allume sur l'affichage.


Lecture aléatoire/répétée — RANDOM et  s'allument sur l'affichage.

Annulation — RANDOM et  disparaissent de l'affichage.

Pour lire tous les disques, appuyer sur  pour démarrer la lecture.

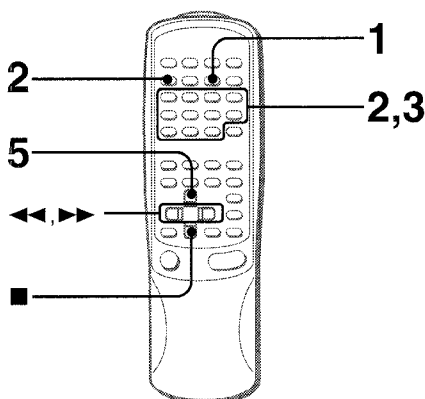
Pour lire un seul disque, appuyer sur une des touches **DISC DIRECT PLAY 1-3** pour démarrer la lecture.

REMARQUE

Pendant la lecture aléatoire, il est impossible de sauter à la plage précédemment lue avec .

LECTURE PROGRAMMEE

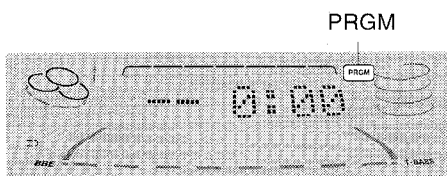
On peut programmer un maximum de 30 plages de n'importe lequel des disques en place.



Utiliser la télécommande.

1 Appuyer deux fois sur PRGM dans le mode arrêt.

"PRGM" est affiché.



- Quand on appuie une fois sur **PRGM** à l'étape 1, l'appareil passe au PROGRAMME DE KARAOKE (voir page 24)

2 Appuyer sur DISC DIRECT PLAY, puis appuyer sur une des touches numériques 1-3 dans les trois secondes pour sélectionner un disque.

Passer à l'étape suivante quand le plateau arrête de tourner.

3 A l'aide des touches numériques 0-9 et +10, programmer une plage.

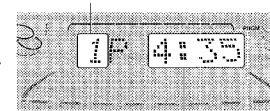
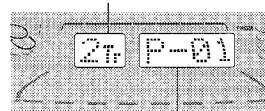
Exemple:

Pour sélectionner la vingt-cinquième plage, appuyer sur +10, +10 et 5.

Pour sélectionner la dixième plage, appuyer sur +10 et 0

Numéro de la plage sélectionnée

Nombre total de plages sélectionnées



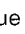
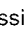
Numéro de programme

Temps de lecture total des plages sélectionnées

4 Répéter les étapes 2 et 3 pour programmer d'autres plages.

5 Appuyer sur pour démarrer la lecture.

Pour contrôler le programme

A chaque pression sur  ou  en mode arrêt, un numéro de disque, un numéro de plage et un numéro de programme sont affichés.

Pour effacer le programme

Appuyer sur  CLEAR dans le mode arrêt.


Pour ajouter des plages au programme

Répéter les étapes 2 et 3 dans le mode arrêt. La plage sera programmée à la suite de la dernière plage.

Pour changer les plages programmées

Effacer le programme puis répéter toutes les étapes.

Pour lire les plages programmées à plusieurs reprises

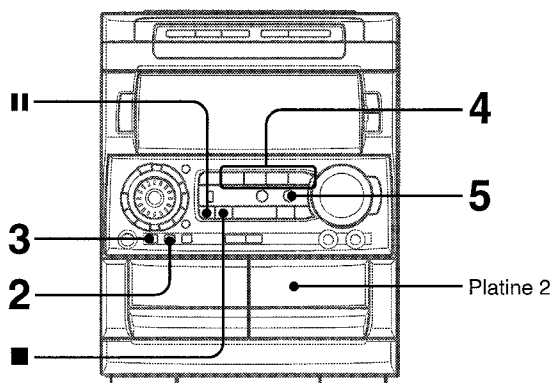
Après la programmation des plages, appuyer sur **RANDOM/REPEAT** à plusieurs reprises jusqu'à ce que  apparaisse sur l'affichage.

REMARQUE

Pendant la lecture programmée, la lecture aléatoire, le contrôle du temps restant et la sélection d'un disque ou d'une plage sont impossibles.

ENREGISTREMENT DE BASE

Cette partie explique comment enregistrer à partir du tuner, du lecteur de disques compacts ou d'un appareil externe.

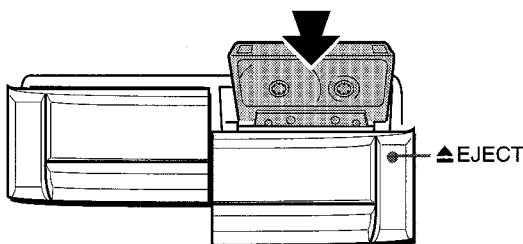


Préparation

- Pour l'enregistrement, utiliser des cassettes de type I (normales) ou de type II (haute polarisation/CrO₂).
- Bobiner la cassette jusqu'à l'endroit où on veut démarrer l'enregistrement.

1 Insérer la cassette à enregistrer dans la platine 2.

Insérer la cassette avec la face à enregistrer en premier orientée vers l'extérieur de l'appareil.



2 Appuyer sur REV MODE pour sélectionner le mode d'inversion.

Pour enregistrer sur une face seulement, sélectionner Σ .
Pour enregistrer sur les deux faces, sélectionner Σ) ou $(\Sigma$.

3 Appuyer sur DOLBY NR pour mettre le réducteur de bruit Dolby en ou hors service.

Pour enregistrer avec réducteur de bruit DOLBY, allumer $\square\square$ NR.
Pour enregistrer sans réducteur de bruit DOLBY, éteindre $\square\square$ NR.

4 Appuyer sur une des touches de fonction (CD, TUNER, VIDEO/AUX ou MD) et préparer la source à partir de laquelle on veut enregistrer.

Pour enregistrer à partir d'un disque compact, appuyer sur **CD** et mettre le(s) disque(s) en place.

Pour enregistrer une émission de radio, appuyer sur **TUNER** et accorder sur une station.

Pour enregistrer à partir d'une source connectée, appuyer sur **VIDEO/AUX** ou **MD**.

5 Appuyer sur ● REC/REC MUTE pour démarrer l'enregistrement.

Quand la fonction sélectionnée est CD, la lecture et l'enregistrement démarrent simultanément.

Pour arrêter l'enregistrement, appuyer sur ■.

Pour mettre l'enregistrement en pause, appuyer sur **II**.
(Applicable quand la source est TUNER, VIDEO/AUX ou MD.)
Pour reprendre l'enregistrement, appuyer de nouveau sur cette touche.

Pour démarrer l'enregistrement avec la télécommande

Appuyer d'abord sur ●/O REC/REC MUTE, puis appuyer sur ◀▶ dans les deux secondes qui suivent.

Réglage du son pendant l'enregistrement

On peut faire varier librement le volume de sortie et la tonalité (système BBE et fonction génération de rythme exceptés) des enceintes ou du casque sans affecter l'enregistrement.

INSERTION D'ESPACES BLANCS

L'insertion d'espaces blancs de quatre secondes permet l'utilisation de la fonction senseur de musique. (Applicable quand la source est TUNER, VIDEO/AUX ou MD.)

1 Appuyer sur ● REC/REC MUTE pendant l'enregistrement ou pendant le mode pause d'enregistrement.

REC clignote sur l'affichage pendant quatre secondes et le ruban magnétique défile sans enregistrement. Au bout de quatre secondes, la platine passe au mode pause d'enregistrement.

2 Appuyer sur **II** pour reprendre l'enregistrement.

Pour insérer un espace blanc de moins de quatre secondes, appuyer de nouveau sur ● REC/REC MUTE tandis que **REC** clignote.

Pour insérer des espaces blancs de plus de quatre secondes, appuyer de nouveau sur ● REC/REC MUTE une fois que la platine passe au mode pause d'enregistrement. A chaque pression sur cette touche, un espace blanc de quatre secondes est ajouté.

Pour effacer un enregistrement

S'assurer qu'aucun microphone n'est branché à cet appareil et que la fonction génération de rythme (page 7) est annulée. Régler le volume de microphone et le niveau d'écho sur OFF (voir page 23).

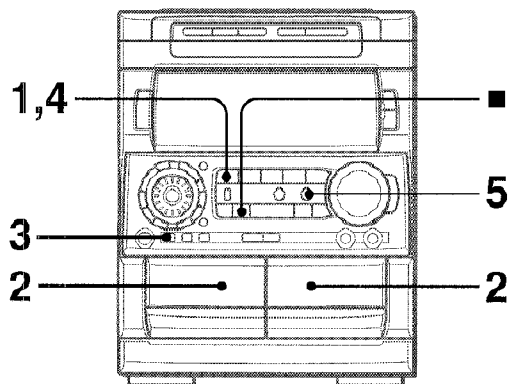
1 Insérer la cassette à effacer dans la platine 2 et appuyer sur **TAPE DECK 1/2** pour afficher "TP 2".

2 Bobiner la cassette jusqu'à l'endroit où on veut démarrer l'effacement.

3 Régler le mode d'inversion en appuyant sur **REV MODE**.

4 Appuyer sur ● REC/REC MUTE pour démarrer l'effacement.

DUPLICATION MANUELLE D'UNE CASSETTE



REMARQUE

- Bobiner la cassette jusqu'à l'endroit où on veut démarrer l'enregistrement.
- Le mode d'inversion est automatiquement réglé sur Σ .
Remarque que l'enregistrement ne sera fait que sur une face de la cassette.

1 Appuyer sur TAPE.

2 Insérer la cassette originale dans la platine 1 et la cassette à enregistrer dans la platine 2.

Insérer chaque cassette avec la face à lire ou à enregistrer orientée vers l'extérieur de l'appareil.

3 Appuyer sur DOLBY NR pour mettre le réducteur de bruit Dolby hors service.

$\square\square$ NR disparaît de l'affichage.

4 Appuyer sur TAPE DECK 1/2 pour sélectionner la platine 1.

"TP 1" est affiché.

5 Appuyer sur \bullet REC/REC MUTE pour démarrer l'enregistrement.

La lecture et l'enregistrement démarrent simultanément.

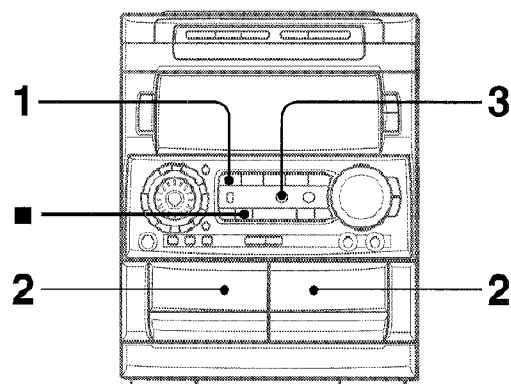
Pour arrêter la duplication

Appuyer sur \blacksquare .

Sélection du réducteur de bruit Dolby lors de la lecture de la cassette dupliquée

Appuyer sur DOLBY NR pour mettre le réducteur de bruit Dolby en ou hors service, en fonction de la cassette originale.

DUPLICATION DE LA TOTALITE D'UNE CASSETTE



Cette fonction permet de faire des copies exactes des deux faces de la cassette originale. Les faces arrière des deux cassettes démarrent en même temps dès que la cassette la plus longue a été inversée.

REMARQUE

- La duplication ne démarre pas à un point situé au milieu d'une face.
- Le mode d'inversion est automatiquement réglé sur Σ .
- Le réducteur de bruit Dolby n'affecte pas l'enregistrement.

1 Appuyer sur TAPE.

2 Insérer la cassette originale dans la platine 1 et la cassette à enregistrer dans la platine 2.

Insérer chaque cassette avec la face à lire ou à enregistrer orientée vers l'extérieur de l'appareil.

3 Appuyer une ou deux fois sur SYNC DUB pour démarrer l'enregistrement.

① Pour enregistrer à vitesse normale, appuyer une fois sur la touche de manière que NORM-DUB soit affiché.

② Pour enregistrer à grande vitesse, appuyer deux fois sur la touche de manière que HIGH-DUB soit affiché.

①

②



Les cassettes sont rebobinées jusqu'au début de leurs faces, avant, puis l'enregistrement démarre.

Pour arrêter la duplication

Appuyer sur \blacksquare .

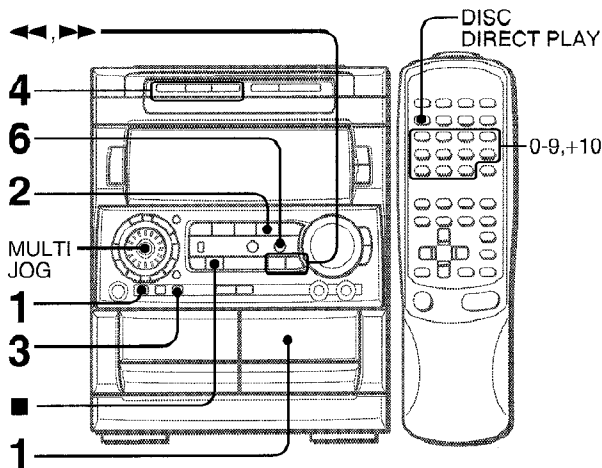
Sélection du réducteur de bruit Dolby lors de la lecture de la cassette dupliquée

Appuyer sur DOLBY NR pour mettre le réducteur de bruit Dolby en ou hors service, en fonction de la cassette originale.

REMARQUE

Si l'ergot de sécurité d'une face ou l'autre de la cassette est absent, l'enregistrement ne démarre pas.

ENREGISTREMENT AVEC MONTAGE ET CALCUL DU TEMPS



La fonction enregistrement avec montage et calcul du temps permet d'enregistrer à partir de disques compacts sans se préoccuper de la durée de la cassette et des durées des plages. Quand un disque compact est en place, l'appareil calcule automatiquement la durée totale des plages. Si nécessaire, l'ordre des plages est changé de manière qu'aucune plage ne soit tronquée.

(AI: Intelligence Artificielle)

REMARQUE

L'enregistrement avec montage et calcul du temps ne démarrera pas à un point situé au milieu d'une face. La cassette doit être enregistrée à partir du début d'une de ses faces.

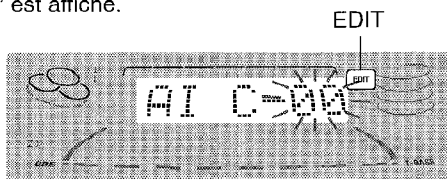
1 Insérer la cassette dans la platine 2 puis appuyer sur DOLBY NR pour mettre le réducteur de bruit Dolby en ou hors service.

Insérer la cassette avec la face à enregistrer en premier orientée vers l'extérieur de l'appareil.

2 Appuyer sur CD et mettre le(s) disque(s) en place.

3 Appuyer une fois sur CD EDIT/CHECK.

"EDIT" est affiché.



• Si "PRGM" est affiché, appuyer de nouveau sur CD EDIT/CHECK.

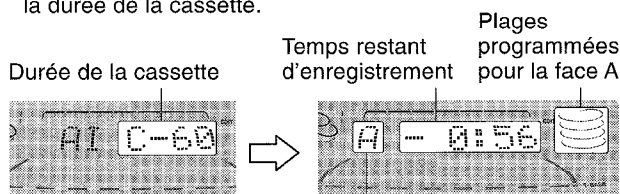
4 Appuyer sur une des touches DISC DIRECT PLAY 1-3 pour sélectionner un disque.

5 A l'aide des touches numériques 0-9 de la télécommande, spécifier la durée de la cassette.

On peut spécifier une durée de 10 à 99 minutes. Exemple: Quand on utilise une cassette de 60 minutes, appuyer sur 6 et 0.

En quelques secondes, les plages à enregistrer sur chaque face de la cassette sont déterminées.

• On peut aussi utiliser ◀▶ ou MULTI JOG pour spécifier la durée de la cassette.



Face de la cassette
A: Face du premier enregistrement
B: Face du deuxième enregistrement

6 Appuyer sur ● REC/REC MUTE pour démarrer l'enregistrement sur la première face.

La cassette est rebobinée jusqu'au début de la face avant, l'amorce est lue pendant dix secondes, puis l'enregistrement démarre. Une fois que l'enregistrement sur la face avant (face A) est terminé, l'enregistrement sur la face arrière (face B) démarre.

Pour arrêter l'enregistrement

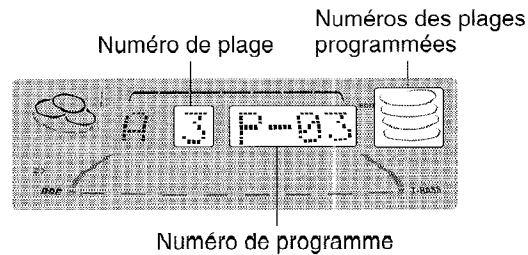
Appuyer sur ■ CLEAR. L'enregistrement de la cassette et la lecture du disque compact s'arrêtent simultanément.

Pour effacer le programme du montage

Appuyer deux fois sur ■ CLEAR de manière que "EDIT" disparaisse de l'affichage.

Pour contrôler l'ordre des numéros des plages programmées

Avant l'enregistrement, appuyer sur CD EDIT/CHECK pour sélectionner la face A ou B, puis appuyer sur ◀▶ à plusieurs reprises.



Pour ajouter des plages d'autres disques au programme du montage

S'il reste du temps sur la cassette après l'étape 5, on peut ajouter des plages des autres disques situés dans le compartiment.

1 Appuyer sur CD EDIT/CHECK pour sélectionner la face A ou B.

2 Appuyer sur une des touches DISC DIRECT PLAY 1-3 pour sélectionner un disque.

3 Sélectionner les plages à l'aide des touches numériques de la télécommande.

Une plage dont la durée de lecture est supérieure au temps restant ne peut pas être programmée.

4 Pour ajouter d'autres plages, répéter les étapes 2 et 3.

Durée des cassettes et temps du montage

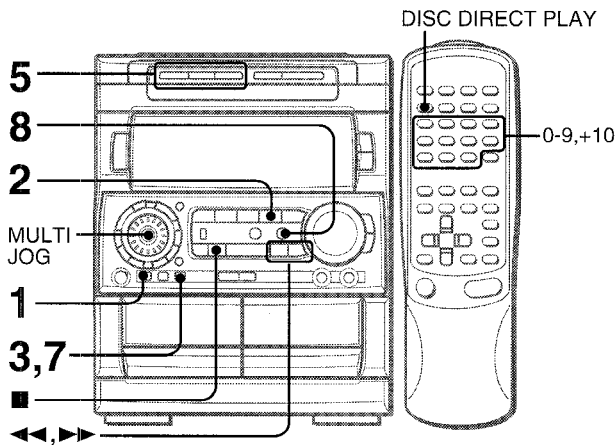
La durée d'une cassette est généralement supérieure à celle indiquée sur l'étiquette. Cet appareil peut programmer des plages pour utiliser le temps en excès. Quand la durée totale d'enregistrement est légèrement supérieure à la durée spécifiée pour la cassette après le montage, l'affichage indique le temps en excès (sans signe moins) au lieu du temps restant (avec le signe moins).

REMARQUE

• Si l'ergot de sécurité d'une face ou l'autre de la cassette est absent, l'enregistrement ne se fait pas.

• La fonction enregistrement avec montage et calcul du temps ne peut pas être utilisée avec les disques contenant 31 plages ou plus.

ENREGISTREMENT AVEC MONTAGE PROGRAMME



La fonction enregistrement avec montage programmé permet de programmer les plages tout en contrôlant le temps restant sur chaque face de la cassette au fur et à mesure de la programmation.

REMARQUE

L'enregistrement avec montage programmé ne démarrera pas à un point situé au milieu d'une face. La cassette doit être enregistrée à partir du début d'une de ses faces.

1 Insérer la cassette dans la platine 2 puis appuyer sur DOLBY NR pour mettre le réducteur de bruit Dolby en ou hors service.

Insérer la cassette avec la face à enregistrer en premier orientée vers l'extérieur de l'appareil.

2 Appuyer sur CD et mettre le(s) disque(s) en place.

3 Appuyer deux fois sur CD EDIT/CHECK.

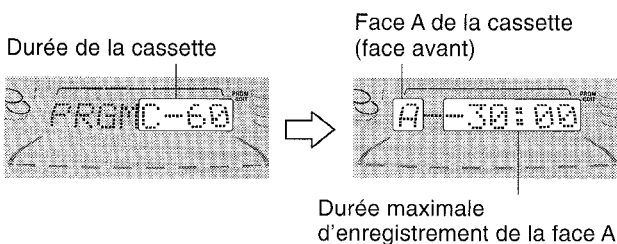
"EDIT" et "PRGM" sont affichés.

- Si "AI" est affiché, appuyer de nouveau sur CD EDIT/CHECK.

4 A l'aide des touches numériques de la télécommande, spécifier la durée de la cassette.

On peut spécifier une durée de 10 à 99 minutes.

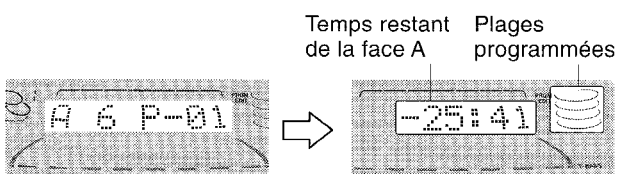
- On peut aussi utiliser ◀◀, ▶▶ ou MULTI JOG pour spécifier la durée de la cassette.



5 Appuyer sur une des touches DISC DIRECT PLAY 1-3 pour sélectionner un disque.

Ensuite, programmer une plage à l'aide des touches numériques 0-9 et +10 de la télécommande.

Exemple: pour sélectionner la dixième plage du disque 2, appuyer sur DISC DIRECT PLAY 2, puis appuyer sur +10 et 0.



6 Répéter l'étape 5 pour le reste des plages de la face A.

Une plage dont la durée de lecture est supérieure au temps restant ne peut pas être programmée.

7 Appuyer sur CD EDIT/CHECK pour sélectionner la face B, puis programmer les plages pour cette face.

Après s'être assuré que "B" est affiché, répéter l'étape 5.

Face B de la cassette (face arrière)



8 Appuyer sur ● REC/REC MUTE pour démarrer l'enregistrement.

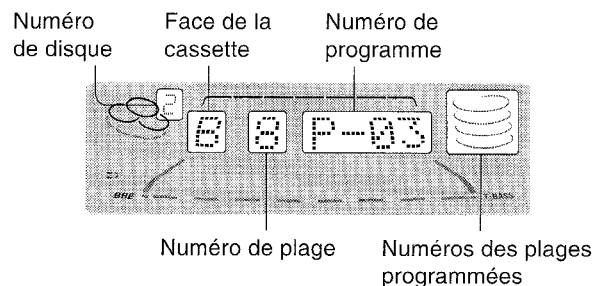
La cassette est reboinée jusqu'au début de la face avant, l'amorce est lue pendant dix secondes, puis l'enregistrement démarre. Une fois que l'enregistrement sur la face avant (A) est terminé, l'enregistrement sur la face arrière (B) démarre.

Pour arrêter l'enregistrement

Appuyer sur ■. L'enregistrement de la cassette et la lecture du disque compact s'arrêtent simultanément.

Pour contrôler l'ordre des numéros des plages programmées

Avant l'enregistrement, appuyer sur CD EDIT/CHECK pour sélectionner la face A ou B, puis appuyer sur ◀◀ ou ▶▶ à plusieurs reprises.



Pour changer le programme de chaque face

Appuyer sur CD EDIT/CHECK pour sélectionner la face A ou B, puis appuyer sur ■ CLEAR pour effacer le programme de la face sélectionnée. Ensuite, reprogrammer des plages.

Pour effacer le programme du montage

Appuyer deux fois sur ■ CLEAR de manière que "EDIT" disparaisse de l'affichage.

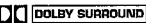
REMARQUE

- On peut programmer un maximum de 30 plages de n'importe lequel des disques en place.
- Si l'ergot de sécurité d'une face ou l'autre de la cassette est absent, l'enregistrement ne se fait pas.

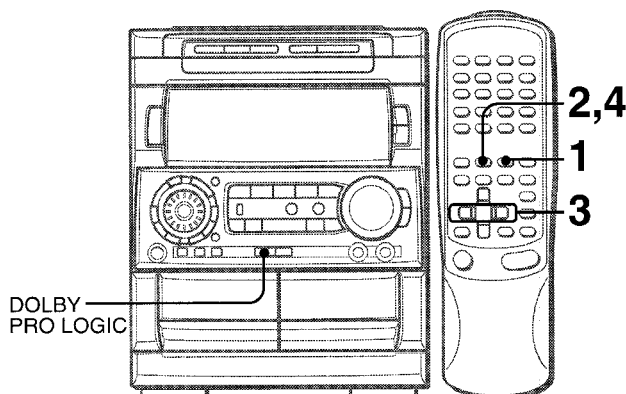
DOLBY PRO LOGIC

Le système DOLBY PRO LOGIC et les enceintes centrale et arrière (fournies d'origine) assurent un son "Home Theater" intégral. Lors de la lecture de disques laser ou de supports vidéo qui ont été enregistrés avec Dolby Surround, un son étonnamment plein de réalisme entoure l'auditeur pour créer un nouveau niveau de divertissement audio/visuel. La commande indépendante des quatre voies sonores permet à l'auditeur d'obtenir le même type de reproduction sonore que dans une salle de cinéma. Les parties vocales sont reproduites à l'avant et au centre du champ sonore, tandis que les sons ambiants tels que ceux d'automobiles et de foules sont reproduits sur tous les côtés de l'auditeur pour une expérience audio/vidéo pleine de réalisme. Prière de lire la partie suivante attentivement pour "accorder" la sortie de la chaîne en fonction des caractéristiques de l'espace d'écoute.

Contrôler les points suivants:

- Avant d'utiliser le système DOLBY PRO LOGIC, régler correctement la balance des niveaux sonores des enceintes.
- S'assurer que les enceintes fournies sont connectées et positionnées correctement. (Voir pages 3 et 4.)
- S'assurer que le téléviseur et l'appareil vidéo sont connectés correctement. (Voir page 4.)
- S'assurer que le disque laser, la cassette vidéo, etc. sont compatibles .

REGLAGE DE LA BALANCE DES NIVEAUX DES ENCEINTES



Cet appareil possède un générateur de signal d'essai intégré, appelé séquenceur acoustique, pour un réglage aisé de la balance des cinq voies. Le séquenceur sort un signal sonore qui se "déplace" de voie à voie, permettant un réglage simple du niveau sonore pour obtenir, à la position d'écoute, le même niveau sonore apparent pour chaque voie.

Utiliser la télécommande.

1 Appuyer sur DOLBY PRO LOGIC pour sélectionner NORMAL.

"NORMAL" s'allume en rouge.

Si "PHANTOM" ou "3 STEREO" s'allume en rouge, appuyer sur DOLBY PRO LOGIC à plusieurs reprises jusqu'à ce que NORMAL soit sélectionné.

2 Appuyer sur MANUAL SELECT (TEST) pendant environ quatre secondes, jusqu'à ce que "L" clignote.

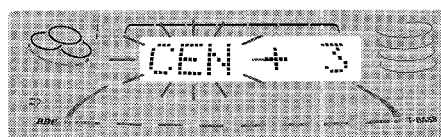


Un signal sonore est envoyé successivement à chaque canal dans l'ordre suivant.

→ L: Enceinte gauche → CEN: Enceinte centrale → R: Enceinte droite
 ← S-L: Enceinte surround gauche ← S-R: Enceinte surround droite ←

3 Régler le niveau sonore des enceintes centrale et surround.

Tandis que "CEN", "S-R" ou "S-L" est affiché, appuyer sur ◀ DOWN ou ▶ UP pour régler le volume de l'enceinte centrale ou de chaque enceinte surround et l'adapter au niveau des enceintes avant.



Pour régler la balance entre les enceintes avant gauche et droite, voir page 7. A ce moment, le mode DOLBY PRO LOGIC doit être annulé en appuyant sur DOLBY PRO LOGIC jusqu'à ce que "P-OFF" soit affiché.

4 Appuyer de nouveau sur MANUAL SELECT (TEST) pour arrêter le signal sonore.

REMARQUE

- Si le niveau des enceintes surround ou de l'enceinte centrale du système DOLBY PRO LOGIC est changé, celui du système DOLBY SURROUND (voir page 11) et celui du système DOLBY DIGITAL SURROUND (voir page 28) le sont également.
- Tandis que "S-L" ou "S-R" est affiché, le signal sonore sort par les deux enceintes surround en même temps. Toutefois, seul le niveau sonore d'une enceinte surround, affiché sous la forme "S-L" ou "S-R", peut être réglé.

Au sujet des canaux

Les enceintes avant gauche et droite créent l'effet stéréo.

L'enceinte centrale aide à obtenir un positionnement sonore précis sur un large champ sonore.

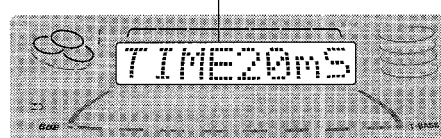
Les enceintes surround montées à l'arrière améliorent la "profondeur" du champ sonore.

Pour changer le temps de retard

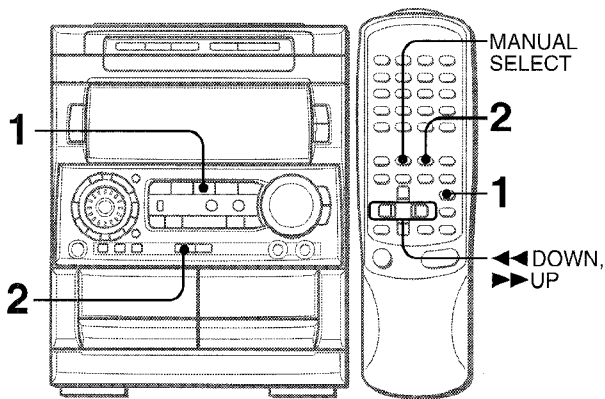
Les enceintes surround reproduisent les sons une fraction de seconde après les enceintes avant. Le retard est initialement réglé à 20 millisecondes (ms).

Pour changer ce temps de retard standard, appuyer à plusieurs reprises sur MANUAL SELECT (TEST) de la télécommande jusqu'à ce que "TIME" soit affiché. Ensuite, appuyer sur ◀ DOWN ou ▶ UP. A chaque pression sur une des touches, le temps de retard change comme montré ci-dessous.

15 mS ↔ 20 mS ↔ 30 mS



LECTURE AVEC LE SYSTEME DOLBY PRO LOGIC



1 Appuyer sur VIDEO/AUX/5.1CH et mettre la source vidéo en lecture.

"VIDEO" est affiché.

Si "5.1 ch IN" est affiché, appuyer de nouveau sur VIDEO/AUX/5.1CH.

2 Appuyer sur DOLBY PRO LOGIC.

"NORMAL" est sélectionné, et le son de la lecture est audible avec l'effet DOLBY PRO LOGIC.

Pour annuler le mode DOLBY PRO LOGIC

Appuyer sur DOLBY PRO LOGIC à plusieurs reprises jusqu'à ce que P-OFF soit affiché.

Pour changer les niveaux sonores pendant la lecture

Après avoir réglé la balance avec le séquenceur acoustique, le niveau sonore de l'enceinte centrale ou de chaque enceinte surround peut être réglé pendant la lecture d'un disque laser ou d'un support vidéo.

- 1 Appuyer à plusieurs reprises sur **MANUAL SELECT (TEST)** de la télécommande pour sélectionner "CEN" (enceinte centrale), "S-L" (enceinte surround gauche) ou "S-R" (enceinte surround droite).
- 2 Tandis que "CEN", "S-L" ou "S-R" est affiché, appuyer sur **◀ DOWN** ou **▶ UP** de la télécommande pour régler le volume.

AUTRES MODES DOLBY PRO LOGIC

En plus du mode NORMAL, cet appareil possède les modes PHANTOM et 3 STEREO.

Mode PHANTOM: Utiliser ce mode quand aucune enceinte centrale n'est connectée. Les signaux de la voie centrale sont sortis par les enceintes gauche et droite.

Mode 3 STEREO: Utiliser ce mode quand aucune enceinte surround n'est connectée. Ce mode reproduit les sons arrière par les enceintes avant.

Pour sélectionner PHANTOM ou 3 STEREO

Appuyer sur DOLBY PRO LOGIC à plusieurs reprises jusqu'à ce que le mode DOLBY PRO LOGIC souhaité soit affiché. Le mode DOLBY PRO LOGIC est affiché de manière cyclique comme suit.



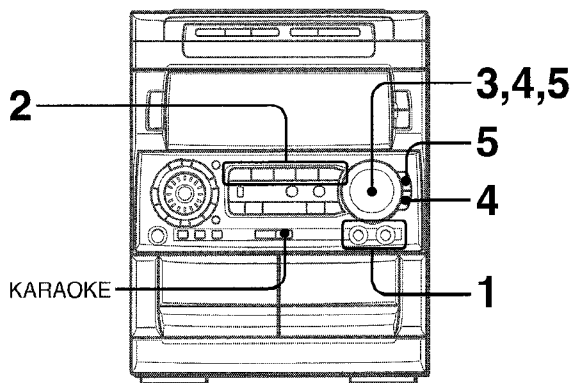
Pour régler la balance des niveaux sonores des enceintes connectées

Effectuer les étapes 2 à 4 de la partie "REGLAGE DE LA BALANCE DES NIVEAUX DES ENCEINTES".

REMARQUE

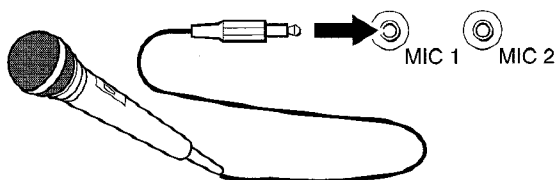
- Selon la source sonore et/ou les conditions d'écoute, un effet surround risque de ne pas être obtenu même quand le système DOLBY PRO LOGIC est en service.
- Un effet DOLBY PRO LOGIC total ne peut pas être obtenu quand on utilise un support ne portant pas la marque **DOLBY SURROUND**. Dans ce cas, utiliser le système SURROUND à la place. (Voir page 10.)
- Le système DOLBY PRO LOGIC est annulé quand:
 - le niveau d'écho est changé.
 - le système SURROUND ou BBE est mis en service.
 - un casque est branché.
 - la fonction Karaoke est mise en service.
 - l'entrée 5.1 CH (voir page 28) est sélectionnée.
- Quand le système DOLBY PRO LOGIC est en service, le volume de microphone doit être réglé sur OFF. Autrement, le son DOLBY PRO LOGIC ne peut pas être reproduit correctement.

MIXAGE AVEC MICROPHONE



Pour chanter avec accompagnement par une source musicale, on peut brancher deux microphones (pas fournis) à cet appareil. Utiliser des microphones à mini-fiches (3,5 mm Ø).

1 Brancher les microphones aux prises MIC 1 et MIC 2.



2 Appuyer sur une des touches de fonction pour sélectionner la source à mixer, et mettre cette source en lecture.

3 Régler le volume et la tonalité de la source.

4 Appuyer sur MIC puis tourner VOLUME dans les quatre secondes pour régler le volume de microphone.

Le volume de microphone peut être sélectionné de 1 à MAX (7) ou OFF (annulation).

Le volume des deux microphones est réglé simultanément.

5 Appuyer sur ECHO puis tourner la commande VOLUME dans les quatre secondes pour régler le niveau d'écho.

Le niveau d'écho peut être sélectionné de 1 à MAX (7) ou OFF (annulation).

Pour changer le temps de retard de l'écho

Tenir **ECHO** enfoncée tandis que l'écho est en service. Les réglages "L" (Long) et "M" (Moyen) sont affichés alternativement. Relâcher la touche quand le réglage souhaité est affiché.

Pour enregistrer le son de microphone mixé avec la source sonore

Suivre la procédure d'enregistrement à partir de la source (voir page 17).

SYNC DUB ne peut pas être utilisée pour l'enregistrement de mixage.

Quand on n'utilise pas les microphones

Régler le volume de microphone et le niveau d'écho sur OFF et débrancher les microphones des prises **MIC**.

REMARQUE

- Quand le niveau d'écho est changé, le système SURROUND et le système DOLBY PRO LOGIC sont automatiquement annulés.

- Quand le microphone ou l'écho est mis en service alors que l'entrée 5.1CH (voir page 28) est sélectionnée, l'entrée 5.1CH passe à VIDEO.
- Si un microphone est placé trop près d'une enceinte, un bruit de hurlement risque de se produire. Le cas échéant, éloigner le microphone de l'enceinte ou baisser le volume de microphone.
- Si le son d'un microphone est extrêmement fort, il peut être déformé. Le cas échéant, baisser le volume de microphone.
- Quand la fonction est changée, les réglages de volume de microphone et de niveau d'écho sont annulés.

Microphones recommandés

L'utilisation de microphones de type unidirectionnel est recommandée pour éviter le hurlement. Pour plus de détails, contacter le distributeur Aiwa local.

FONCTIONS VOCAL FADER/MULTIPLY

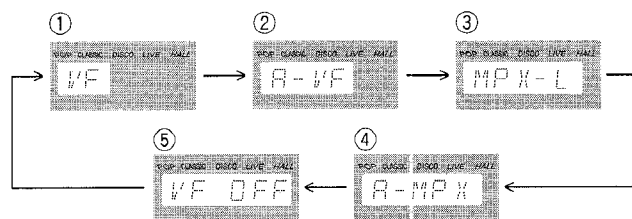
Cet appareil permet l'emploi de disques ou de cassettes comme sources Karaoke.

Utiliser la fonction Vocal Fader pour des disques ou cassettes ordinaires.

Utiliser la fonction Multiplex pour des disques ou cassettes multi audio.

Appuyer sur KARAOKE à plusieurs reprises pour sélectionner la fonction Vocal Fader ou Multiplex.

A chaque pression sur **KARAOKE**, une de ces fonctions est sélectionnée de manière cyclique.



① Vocal Fader

La partie vocale devient plus douce que l'accompagnement.

② Auto Vocal Fader

La partie vocale devient plus douce uniquement pendant qu'il y a une entrée audio par un microphone.

③ Multiplex

Seul le son du canal gauche est audible par les deux enceintes et le son du canal droit est atténué

④ Auto Multiplex

Le son du canal gauche est audible par les deux enceintes et le son du canal droit est atténué uniquement pendant qu'il y a une entrée audio par un microphone.

⑤ Annulation

Pour changer le réglage du retard de la fonction Auto Vocal Fader ou Auto Multiplex

La partie vocale initiale atténuée peut être rétablie plus rapidement au niveau normal.

Quand la fonction Auto Vocal Fader ou Auto Multiplex est sélectionnée, "A-VF" ou "A-MPX" est affiché pendant trois secondes puis l'affichage passe au nom de la fonction sélectionnée. Une fois que le nom de la fonction sélectionnée est affiché, tenir **KARAOKE** enfoncée jusqu'à ce que "FAST" soit affiché.

Pour revenir au réglage initial, sélectionner SLOW.

Quand l'alimentation est coupée, SLOW est sélectionné.

Pour changer le canal audible de la fonction Multiplex

Seul le son du canal droit peut être rendu audible par les deux enceintes.

Quand la fonction Multiplex est sélectionnée, "MPX-L" est affiché pendant trois secondes puis l'affichage passe au nom de la fonction sélectionnée. Une fois que le nom de la fonction sélectionnée est affiché, tenir **KARAOKE** enfoncée jusqu'à ce que "MPX-R" soit affiché.

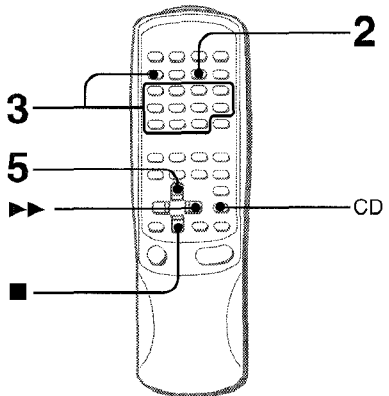
Pour revenir au réglage initial, sélectionner MPX-L.

Quand l'alimentation est coupée, MPX-L est sélectionné.

REMARQUE

- Les fonctions Karaoke risquent de ne pas fonctionner correctement avec les disques compacts ou cassettes suivants.
 - Disques ou cassettes à enregistrement mono
 - Disques ou cassettes enregistrés avec de forts échos
 - Disques ou cassettes avec la partie vocale enregistrée sur la droite ou la gauche du spectre sonore
- Quand la fonction Karaoke est en service, le son est sorti en monophonie.
- Quand la fonction est changée, la fonction Karaoke est annulée.

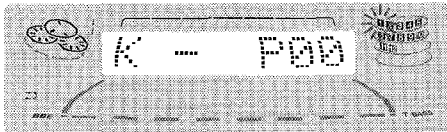
PROGRAMME DE KARAOKE



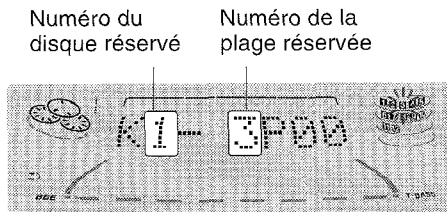
Avant ou pendant la lecture de disque compact, on peut réserver jusqu'à quinze plages à lire après la plage courante. Chaque réservation est effacée quand sa lecture est terminée.

Utiliser la télécommande.

- 1 Appuyer sur **CD** et mettre les disques en place.
- 2 Appuyer une fois sur **PRGM**.



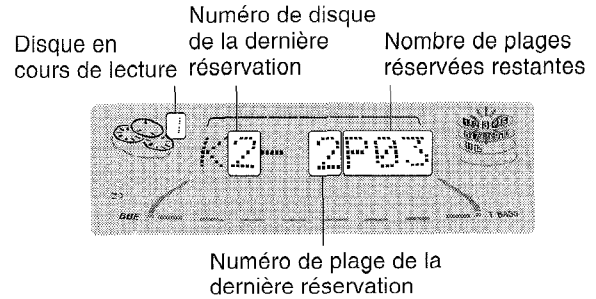
- 3 Appuyer sur **DISC DIRECT PLAY**, puis appuyer sur une des touches numériques 1-3 dans les trois secondes pour sélectionner un disque. Ensuite, programmer une plage à l'aide des touches numériques 0-9 et +10.



- 4 Répéter l'étape 3 pour réserver d'autres plages.

- 5 Appuyer sur **◀▶** pour démarrer la lecture.

Une fois qu'une plage est lue, elle est effacée du programme.



- Pour ajouter une réservation pendant la lecture Répéter l'étape 3.

Pour contrôler les plages réservées

Appuyer sur **CD EDIT/CHECK** à plusieurs reprises. A chaque pression sur cette touche, un numéro de disque et un numéro de plage sont affichés dans l'ordre réservé.

Pour arrêter la lecture

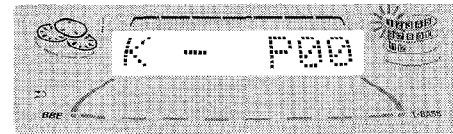
Appuyer sur **■**. Quand on appuie sur **◀▶**, la lecture redémarre à la dernière plage.

Pour sauter la plage en cours de lecture

Appuyer sur **▶▶**. La plage sautée est effacée du programme.

Pour effacer toutes les réservations

Appuyer sur **▶▶** à plusieurs reprises jusqu'à ce que "K - P00" soit affiché.



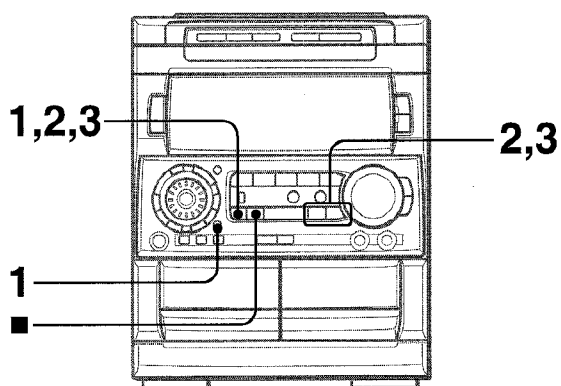
Pour annuler le programme de Karaoke, appuyer une fois de plus sur cette touche. L'affichage repasse à celui de la lecture de disque compact.

REMARQUE

- Si le numéro de plage réservé n'existe pas sur le disque sélectionné, l'appareil arrête la lecture et l'affichage clignote. Dans ce cas, appuyer sur **▶▶** pour sauter l'erreur. Ensuite, appuyer sur **◀▶** pour démarrer la lecture à la plage réservée suivante.
- Si on appuie plusieurs fois sur **PRGM** à l'étape 2, PRGM est affiché et l'appareil passe au mode lecture programmée de disque compact (voir page 16). Pour annuler la lecture programmée, appuyer sur **■ CLEAR**.



REGLAGE DE L'HORLOGE



1 Appuyer une fois sur CLOCK/TIMER puis appuyer sur **|| SET dans les quatre secondes.**



2 Appuyer sur **◀◀ DOWN ou **▶▶ UP** pour spécifier les heures, puis appuyer sur **|| SET** pour les régler.**

Les heures arrêtent de clignoter et les minutes se mettent à clignoter.

3 Appuyer sur **◀◀ DOWN ou **▶▶ UP** pour spécifier les minutes, puis appuyer sur **|| SET** pour les régler.**

Les minutes arrêtent de clignoter sur l'affichage et l'horloge démarre à 00 seconde.

Pour afficher l'heure courante

Appuyer sur **CLOCK**. L'heure est affichée pendant quatre secondes.

Toutefois, l'heure ne peut pas être affichée pendant l'enregistrement.

Pour passer au format de 24 heures

Appuyer sur **CLOCK** puis appuyer sur **■** dans les quatre secondes.

Pour revenir au format de 12 heures, procéder de la même manière.

Si l'affichage de l'horloge clignote

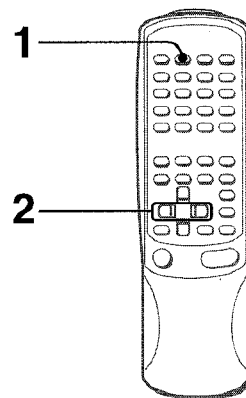
Ceci est dû à une interruption d'alimentation. L'heure courante doit être réglée de nouveau.

Si l'alimentation est interrompue pendant plus d'environ 24 heures, tous les réglages mémorisés après l'achat doivent être faits de nouveau.

* On peut aussi utiliser **MULTI JOG** à la place de **◀◀** et **▶▶**.

* On peut aussi utiliser **ENTER** à la place de **|| SET**.

REGLAGE DE LA MINUTERIE D'ARRET



La minuterie d'arrêt permet de mettre l'appareil hors tension automatiquement au bout d'un temps spécifié.

Utiliser la télécommande.

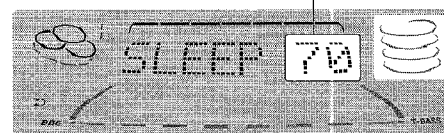
1 Appuyer sur SLEEP.



2 Dans les quatre secondes, appuyer sur **◀◀ ou **▶▶** pour spécifier le temps jusqu'à la mise hors tension.**

A chaque pression sur la touche, le temps change entre 5 et 240 minutes par pas de 5 minutes.

Temps spécifié



Pour contrôler le temps restant jusqu'à la mise hors tension

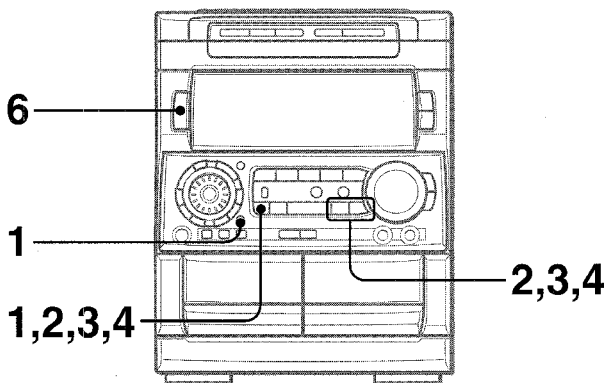
Appuyer une fois sur **SLEEP**. Le temps restant est affiché pendant quatre secondes.

Pour annuler la minuterie d'arrêt

Appuyer deux fois sur **SLEEP** de manière que "SLEEP OFF" apparaisse sur l'affichage.

* On peut aussi utiliser **MULTI JOG** à la place de **◀◀** et **▶▶**.

REGLAGE DE LA MINUTERIE



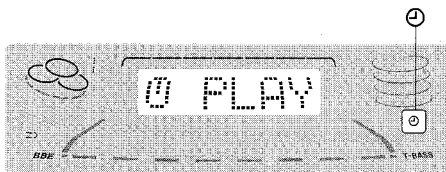
Avec la minuterie intégrée, l'appareil peut être mis sous tension chaque jour à l'heure spécifiée.

Préparation

S'assurer que l'horloge est réglée correctement.

- 1 Appuyer à plusieurs reprises sur **CLOCK/TIMER** pour afficher ☺, puis appuyer sur **|| SET** dans les six secondes.

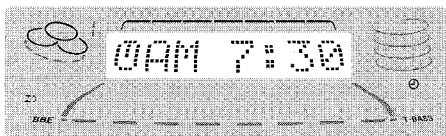
☺ est affiché et les heures clignotent.



REMARQUE

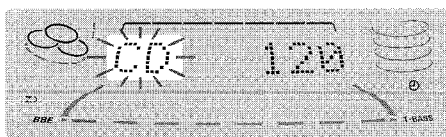
Si on n'appuie pas sur **|| SET** dans les six secondes, une autre opération peut démarrer.

- 2 Spécifier les heures en appuyant sur **◀ DOWN** ou **▶ UP**, puis appuyer sur **|| SET** pour les régler. Procéder de la même manière pour spécifier et régler les minutes.

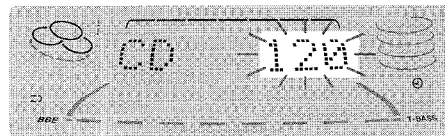


Une fois que l'heure est spécifiée, un des noms de source clignote sur l'affichage.

- 3 Appuyer sur **◀ DOWN** ou **▶ UP** pour sélectionner une source puis appuyer sur **|| SET**.
 - Si on sélectionne TUNER, la gamme ne peut pas être sélectionnée à cette étape.



- 4 Appuyer sur **◀ DOWN** ou **▶ UP** pour sélectionner la durée de la mise sous tension par la minuterie. Ensuite, appuyer sur **|| SET**.



La durée de la mise sous tension par la minuterie peut être réglée entre 5 et 240 minutes par pas de 5 minutes.

- 5 Préparer la source.

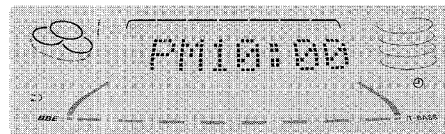
Pour écouter un disque compact, mettre le disque compact à lire en premier en place dans le plateau 1.

Pour écouter une cassette, la mettre en place dans la platine 1 ou 2.

Pour écouter la radio, l'accorder sur une station.

- 6 Après avoir réglé le volume et la tonalité, appuyer sur **POWER** pour mettre l'appareil hors tension.

☺ reste sur l'affichage une fois que l'alimentation est coupée (mode attente de minuterie).



Quand l'heure de la mise sous tension par la minuterie est atteinte, l'appareil est mis sous tension et la lecture commence sur la source sélectionnée.

Quand on coupe l'alimentation alors que le niveau du volume est réglé à 21 ou plus, ce niveau est automatiquement réglé à 20.

Pour contrôler l'heure et la source spécifiées

Appuyer deux fois sur **CLOCK/TIMER**. L'heure de la mise sous tension par la minuterie, le nom de la source sélectionnée et la durée de la mise sous tension par la minuterie sont affichés pendant quatre secondes.

Pour annuler provisoirement le mode attente de minuterie

Appuyer sur **CLOCK/TIMER** à plusieurs reprises jusqu'à ce que ☺ ou ☺ REC disparaisse de l'affichage.

Pour rétablir le mode attente de minuterie, appuyer sur **CLOCK/TIMER** à plusieurs reprises pour afficher ☺ ou ☺ REC.

Utilisation de l'appareil une fois que la minuterie est réglée

On peut utiliser l'appareil normalement après avoir réglé la minuterie.

Avant de couper l'alimentation, répéter l'étape 5 pour préparer la source, et régler le volume et la tonalité.

REMARQUE

- La lecture et l'enregistrement commandés par la minuterie ne se feront pas si l'appareil n'est pas mis hors tension.
- L'appareil connecté ne peut pas être mis sous et hors tension par la minuterie intégrée de l'appareil principal. Utiliser une minuterie externe.

* On peut aussi utiliser **MULTI JOG** à la place de **◀** et **▶**.

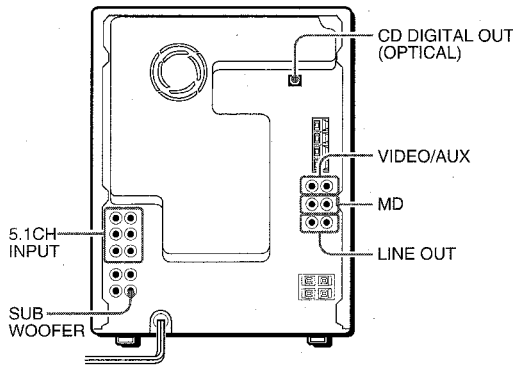
* On peut aussi utiliser **ENTER** à la place de **|| SET**.

ENREGISTREMENT COMMANDE PAR LA MINUTERIE

L'enregistrement commandé par la minuterie est applicable uniquement aux sources TUNER et VIDEO/AUX (avec une minuterie externe).

Appuyer sur **CLOCK/TIMER** à plusieurs reprises jusqu'à ce que ☺ **TIMER REC** clignote sur l'affichage, puis appuyer sur **|| SET** dans les six secondes. Effectuer les étapes de la partie "REGLAGE DE LA MINUTERIE" à partir de l'étape 2 et, après l'étape 5, insérer la cassette à enregistrer dans la platine 2.

CONNEXION D'UN APPAREIL OPTIONNEL



Pour plus de détails, se reporter au mode d'emploi de l'appareil connecté.

- Les cordons de raccordement ne sont pas fournis. Se procurer les cordons nécessaires.
- Pour les appareils optionnels disponibles, consulter le distributeur Aiwa local.

PRISES VIDEO/AUX

Cet appareil peut recevoir des signaux sonores analogiques par ces prises.

Utiliser un câble à fiches phono RCA pour connecter un appareil audio (Lecteur de DVD, tourne-disque, lecteur de disque laser, lecteur de minidisque, magnétoscope, téléviseur, etc.).

Connecter la fiche rouge à la prise **VIDEO/AUX R** et la fiche blanche à la prise **VIDEO/AUX L**.

Pour connecter un tourne-disque

Utiliser un tourne-disque Aiwa muni d'un amplificateur à égaliseur intégré.

PRISES MD

Ces prises sont recommandées pour la connexion d'un lecteur de minidisque.

Utiliser un câble à fiches phono RCA.

Connecter la fiche rouge à la prise **MD R** et la fiche blanche à la prise **MD L**.

PRISES LINE OUT

Cet appareil peut sortir les signaux sonores analogiques par ces prises.

Utiliser un câble à fiches phono RCA pour connecter un appareil audio muni de prises **LINE IN** (entrée analogique).

Connecter la fiche rouge à la prise **LINE OUT R** et la fiche blanche à la prise **LINE OUT L**.

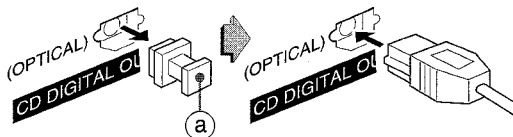
REMARQUE

Ne pas connecter un appareil aux prises **LINE OUT** et aux prises **VIDEO/AUX** simultanément. Cela générerait des parasites et provoquerait une panne.

PRISE CD DIGITAL OUT (OPTICAL)

Cet appareil peut sortir les signaux sonores numériques de disque compact par cette prise. Utiliser un câble optique pour connecter un appareil audio numérique (platine DAT, enregistreur de minidisque, etc.).

Enlever le capuchon antipoussière **Ⓐ** de la prise **CD DIGITAL OUT (OPTICAL)**. Ensuite, connecter la fiche d'un câble optique à cette prise.



Quand la prise **CD DIGITAL OUT (OPTICAL)** n'est pas utilisée Mettre en place le capuchon antipoussière fourni.

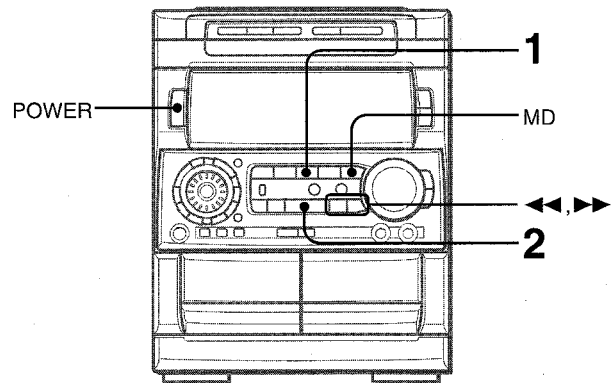
PRISE SUB WOOFER

Connecter un caisson de graves alimenté optionnel muni d'un amplificateur intégré à cette prise.

PRISES 5.1 CH INPUT

Cet appareil peut recevoir des signaux sonores de l'appareil audio (lecteur de DVD, lecteur de disque laser, etc.) qui contient un décodeur Dolby Digital muni de bornes de sortie 5.1 ch. Se reporter à la partie "CONNEXION D'UN LECTEUR DE DVD", page 28.

ECOUTE DE SOURCES EXTERNES



Pour utiliser l'appareil connecté aux prises **VIDEO/AUX** ou aux prises **MD**, procéder de la manière suivante.

1 Appuyer sur VIDEO/AUX/5.1ch ou MD.

Pour utiliser l'appareil connecté aux prises **VIDEO/AUX**, appuyer sur **VIDEO/AUX/5.1CH**. "VIDEO" apparaît sur l'affichage.

Pour utiliser l'appareil connecté aux prises **MD**, appuyer sur **MD**. "MD" apparaît sur l'affichage.

2 Mettre l'appareil connecté en lecture.

Pour changer le nom de source sur l'affichage

Quand on appuie sur **VIDEO/AUX/5.1CH**, "VIDEO" est affiché initialement. On peut remplacer ce nom par "AUX" ou "TV".

L'appareil étant sous tension, appuyer sur **POWER** tout en appuyant sur **VIDEO/AUX/5.1CH**.

Répéter cette procédure pour sélectionner un des noms.

Pour régler le niveau sonore de la source externe

Si le niveau sonore de la source externe est beaucoup plus élevé ou beaucoup plus faible que celui des autres sources, le régler de la manière suivante.

- 1 Appuyer sur **VIDEO/AUX/5.1CH** ou **MD** et mettre l'appareil en lecture.
- 2 Appuyer sur **◀** ou **▶** de manière que le niveau sonore soit le même que celui des autres sources.

REMARQUE

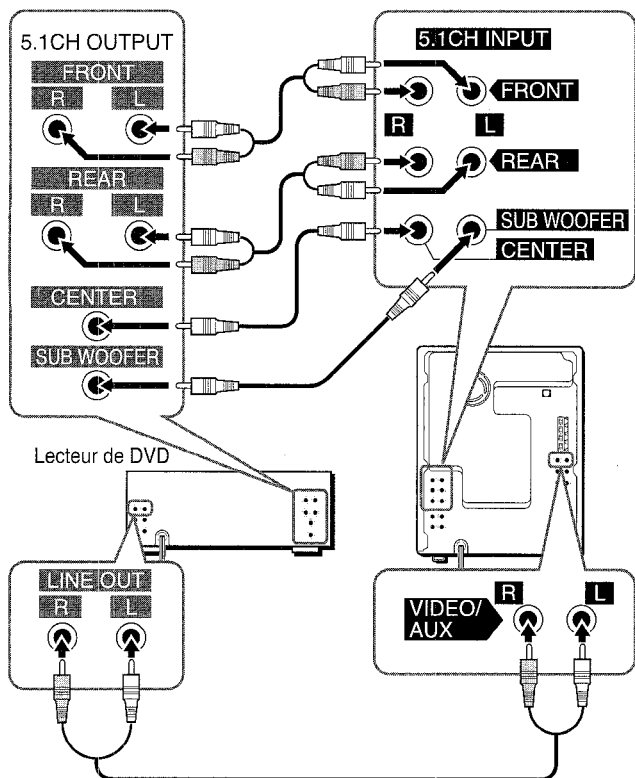
Pendant l'enregistrement, le niveau sonore ne peut pas être réglé.

CONNEXION D'UN LECTEUR DE DVD

Les prises **5.1CH INPUT** de cet appareil sont compatibles avec le système DOLBY DIGITAL SURROUND.

A l'aide de câbles à fiches phono RCA, connecter un lecteur de DVD muni de prises de sortie 5.1CH à cet appareil comme indiqué ci-après:

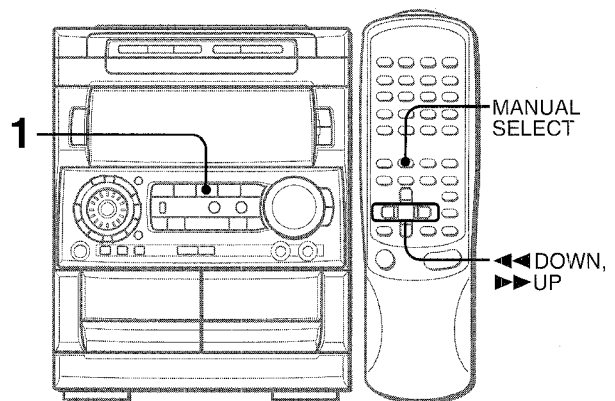
Prises du lecteur de DVD	Prises de cet appareil
5.1CH OUTPUT FRONT (L,R), etc.	→ 5.1CH FRONT (L,R)
5.1CH OUTPUT REAR (L,R), etc.	→ 5.1CH REAR (L,R)
5.1CH OUTPUT CENTER, etc.	→ 5.1CH CENTER
5.1CH OUTPUT SUB WOOFER, etc.	→ 5.1CH SUB WOOFER
LINE OUT (L,R), etc.	→ VIDEO/AUX (Voir REMARQUE .)



REMARQUE

- Si le lecteur de DVD n'est pas connecté aux prises **VIDEO/AUX** de cet appareil:
 - l'analyseur de spectre ne montre pas le niveau sonore du lecteur de DVD.
 - le son venant du lecteur de DVD connecté ne peut pas être enregistré.
- Pour remédier à ces inconvénients, connecter les prises **LINE OUT** du lecteur de DVD aux prises **VIDEO/AUX** de cet appareil en plus de la connexion aux prises **5.1CH INPUT**. La connexion aux prises **VIDEO/AUX** permet le fonctionnement de l'analyseur de spectre et l'enregistrement.
- Voir aussi le mode d'emploi du lecteur de DVD utilisé.
- L'enregistrement du son DOLBY DIGITAL SURROUND est impossible.

ECOUTE DE SON DOLBY DIGITAL SURROUND



Quand un lecteur de DVD est connecté aux prises **5.1CH INPUT** de cet appareil, on peut utiliser le système DOLBY DIGITAL SURROUND qui permet l'obtention d'un son de qualité spectacle à domicile.

- 1 Appuyer sur **VIDE/AUX/5.1CH** à plusieurs reprises jusqu'à ce que "5.1 ch IN" soit affiché.
- 2 Démarrer la lecture du son **DOLBY DIGITAL SURROUND** sur le lecteur de DVD.

REMARQUE

- Les systèmes DOLBY PRO LOGIC, BBE et SURROUND sont automatiquement annulés quand l'entrée 5.1 CH est sélectionnée.
- S'assurer que le support utilisé avec le lecteur de DVD connecté est compatible avec le système DOLBY DIGITAL SURROUND.
- La fonction passe de 5.1 CH à VIDEO quand:
 - un casque est branché.
 - le volume de microphone ou le niveau d'écho est changé.
 - on met la fonction génération de rythme, le système SURROUND, le système DOLBY PRO LOGIC ou la fonction Karaoke en service.

Pour régler les niveaux sonores des enceintes centrale et surround en mode DOLBY DIGITAL SURROUND

- 1 Appuyer sur **VIDE/AUX/5.1CH** à plusieurs reprises jusqu'à ce que "5.1 ch IN" soit affiché.
- 2 Appuyer sur **MANUAL SELECT (TEST)** à plusieurs reprises. Les noms d'enceinte apparaissent séquentiellement comme suit:
 - L/R (Balance des enceintes) → CEN: Enceinte centrale
 - S-R: Enceinte surround droite ← S-L: Enceinte surround gauche ←
- 3 Tandis que "CEN", "S-L" ou "S-R" est affiché, appuyer sur **DOWN** ou **UP** pour régler le niveau sonore. Chaque niveau peut être réglé entre -8 et +7 dB.
- 4 Répéter les étapes 2 et 3 pour régler le niveau sonore de chaque enceinte.

REMARQUE

Si le niveau des enceintes surround ou de l'enceinte centrale du système DOLBY DIGITAL SURROUND est changé, celui du système SURROUND (voir page 11) et celui du système DOLBY PRO LOGIC (voir page 21) le sont également.

SOINS ET ENTRETIEN

Un entretien et des soins réguliers de l'appareil et des disques et cassettes sont nécessaires pour assurer un fonctionnement optimal.

Nettoyage du coffret

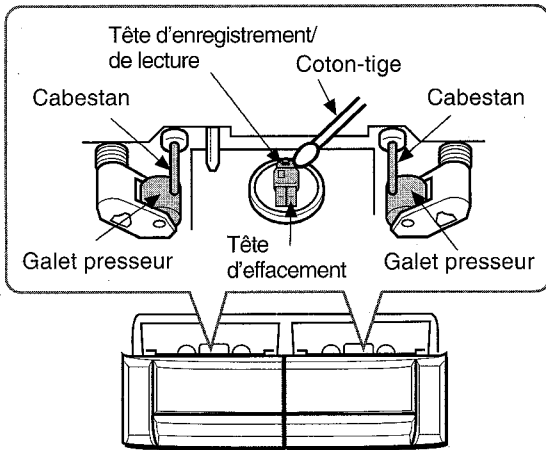
Utiliser un chiffon doux et sec.

Si l'appareil est extrêmement sale, utiliser un chiffon doux légèrement imbibé d'une solution détergente douce. Afin de ne pas altérer le fini de l'appareil, ne pas utiliser de solvants forts, tels que de l'alcool, de la benzine ou du diluant.

Nettoyage des têtes et des chemins de bande

Toutes les dix heures d'utilisation, nettoyer les têtes et les chemins de bande avec une cassette de nettoyage ou un coton-tige imbibé d'un liquide de nettoyage ou d'alcool dénaturé. (Des kits de nettoyage sont disponibles dans le commerce.)

Lors du nettoyage avec un coton-tige, essuyer la tête d'enregistrement/de lecture (platine 2 seulement), la tête d'effacement (platine 2 seulement), les cabestans et les galets presseurs.



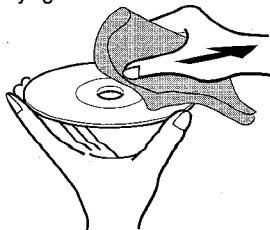
Après le nettoyage des têtes et des chemins de bande avec une cassette de nettoyage à liquide ou avec un coton-tige imbibé, attendre que les parties nettoyées soient complètement sèches avant de mettre des cassettes en place.

Pour démagnétiser les têtes

A la longue, les têtes peuvent devenir magnétisées. Ceci peut restreindre la plage de sortie des cassettes enregistrées et augmenter le bruit. A l'aide d'un dispositif de démagnétisation disponible dans le commerce, démagnétiser les têtes toutes les 20 à 30 heures d'utilisation.

Soin des disques

- Si un disque est sale, l'essuyer du centre vers l'extérieur avec un chiffon de nettoyage.



- Après la lecture d'un disque, le ranger dans son étui. Ne pas laisser le disque dans un endroit chaud ou humide.

Soin des cassettes

- Après l'utilisation, ranger les cassettes dans leurs boîtes.
- Ne pas laisser les cassettes près d'un aimant, d'un moteur électrique, d'un téléviseur ou de toute autre source de champ magnétique. Cela diminuerait la qualité sonore et provoquerait du souffle.
- Ne pas exposer les cassettes au soleil ni les laisser dans un véhicule garé au soleil.

EN CAS DE PROBLEME

Si l'appareil ne fonctionne pas comme décrit dans ce mode d'emploi, contrôler le guide suivant.

GENERALITES

Il n'y a pas de son.

- Le cordon secteur est-il branché correctement?
- N'y a-t-il pas une mauvaise connexion? (→ page 4)
- Il y a peut-être un court-circuit dans les bornes d'enceinte. → Débrancher le cordon secteur puis corriger les connexions d'enceinte.
- Une touche de fonction incorrecte n'est-elle pas en service?

Le son ne sort que par une enceinte.

- L'autre enceinte n'est-elle pas déconnectée?

Le son sorti n'est pas stéréo.

- La fonction Karaoke n'est-elle pas en service? (→ page 23)

Un affichage ou un fonctionnement erroné se produit.

- Réinitialiser l'appareil comme indiqué ci-dessous.

PARTIE TUNER

Il y a des charges statiques constantes en forme d'onde.

- L'antenne est-elle raccordée correctement? (→ page 5)
- Le signal n'est-il pas faible? → Connecter une antenne extérieure.

La réception présente des parasites ou le son présente de la distorsion.

- Le système ne capte-t-il pas des bruits extérieurs ou des ondes réfléchies? → Changer l'orientation de l'antenne. → Eloigner l'appareil d'autres appareils électriques.

PARTIE MAGNETOCASSETTE

La bande ne défile pas.

- La platine 2 n'est-elle pas en mode pause? (→ page 13)

Le son est déséquilibré ou trop faible.

- La tête de lecture n'est-elle pas sale? (→ page 29)

L'enregistrement est impossible.

- Un ergot de sécurité de la cassette n'est-il pas absent? (→ page 14)
- La tête d'enregistrement n'est-elle pas sale? (→ page 29)

L'effacement est impossible.

- La tête d'effacement n'est-elle pas sale? (→ page 29)
- Une cassette au métal n'est-elle pas utilisée?

Il n'y a pas de sons aigus.

- La tête d'enregistrement/de lecture n'est-elle pas sale? (→ page 29)
- Une cassette enregistrée sans réducteur de bruit Dolby n'est-elle pas lue avec le système réducteur de bruit Dolby en service? (→ page 17)

PARTIE LECTEUR DE DISQUES COMPACTS

La lecture ne fonctionne pas.

- Le disque est-il correctement mis en place? (→ page 15)
- Le disque n'est-il pas sale? (→ page 29)
- N'y a-t-il pas de la condensation sur la lentille? → Attendre environ une heure puis essayer de nouveau.

Pour réinitialiser

Si une anomalie apparaît sur la fenêtre d'affichage ou dans le magnétocassette, réinitialiser l'appareil de la manière suivante.

- 1 Appuyer sur **POWER** pour couper l'alimentation.
- 2 Appuyer sur **POWER** tout en appuyant sur **■ CLEAR** pour remettre l'appareil sous tension. Toutes les données mémorisées après l'achat sont effacées.

Si à l'étape 1 l'alimentation ne peut pas être coupée du fait d'une anomalie, réinitialiser en débranchant le cordon secteur puis le rebrancher. Ensuite, effectuer l'étape 2.

SPECIFICATIONS

Appareil principal CX-NMT920

Partie tuner FM

Plage d'accord	87,5 MHz à 108 MHz
Sensibilité utile (IHF)	13,2 dBf
Bornes d'antenne	75 ohms (asymétrique)

Partie tuner AM

Plage d'accord	530 kHz à 1710 kHz (par pas de 10 kHz) 531 kHz à 1602 kHz (par pas de 9 kHz)
Sensibilité utile	350 µV/m
Antenne	Antenne cadre

Partie amplificateur

Puissance de sortie	Avant 100 W + 100 W (50 Hz à 20 kHz, D.H.T. inférieure à 1%, 6 ohms) Arrière (Surround) 33 W + 33 W (50 Hz à 20 kHz, D.H.T. inférieure à 1%, 16 ohms)
---------------------	--

Distorsion harmonique totale	0.1 % (90 W, 1 kHz, 6 ohms, AUDIO DIN/Avant)
------------------------------	--

Entrées	VIDEO/AUX: 210 mV (réglable)
	MD: 210 mV (réglable)
	MIC 1, MIC 2: 1,4 mV (10 kohms)
	5,1CH INPUT
	FRONT (L,R): 400 mV REAR (L,R): 400 mV CENTER: 400 mV SUB WOOFER: 400 mV

Sorties	LINE OUT: 280 mV
	SUB WOOFER: 1V
	SPEAKERS: acceptent des enceintes de 6 ohms ou plus
	SURROUND SPEAKERS: acceptent des enceintes de 8 ohms à 16 ohms
	CENTER SPEAKER: accepte une enceinte de 8 ohms ou plus
	PHONES (prise stéréo): accepte un casque de 32 ohms ou plus

Partie magnétocassette

Format de piste	4 pistes, 2 canaux stéréo
Réponse en fréquence	Bande CrO ₂ : 50 Hz – 16000 Hz Bande normale: 50 Hz – 15000 Hz
Rapport signal/bruit	60 dB (Réducteur de bruit Dolby B en service, bande CrO ₂ , niveau de crête)
Système d'enregistrement	Polarisation CA
Têtes	1 tête de lecture (platine 1) 1 tête d'enregistrement/de lecture, 1 tête d'effacement (platine 2)

Partie lecteur de disques compacts

Laser	Laser à semi-conducteurs (λ = 780 nm)
Convertisseur N/A	1 bit, double
Rapport signal/bruit	85 dB (1 kHz, 0 dB)
Distorsion harmonique	0,05% (1 kHz, 0 dB)
Pleurage et scintillement	En deçà du seuil mesurable

Généralités

Alimentation électrique	Secteur 120 V, 60 Hz
Consommation électrique	185 W
Dimensions de l'appareil principal (L x H x P)	260 x 329 x 369 mm
Poids de l'appareil principal	11,2 kg

Enceintes acoustiques SX-NA902

Type de caisson	3 voies, bass-reflex (Type à blindage antimagnétique)
Haut-parleurs	Haut-parleur de grave: cône de 160 mm Haut-parleur d'aigu: cône de 80 mm Super-tweeter: Céramique 20 mm 6 ohms
Impédance	6 ohms
Niveau de pression acoustique de sortie	87 dB/W/m
Dimensions (L x H x P)	240 x 324 x 283 mm
Poids	5,2 kg

Les spécifications et l'aspect extérieur peuvent être modifiés sans préavis.

BBE SYSTEM

L'expression "BBE" et le symbole "BBE" sont des marques déposées de BBE Sound, Inc. Sous licence de BBE Sound, Inc.

DOLBY NR/DOLBY PRO LOGIC

Fabriqués sous licence de Dolby Laboratories Licensing Corporation. DOLBY, le symbole double-D **DD** et PRO LOGIC sont des marques de Dolby Laboratories Licensing Corporation.

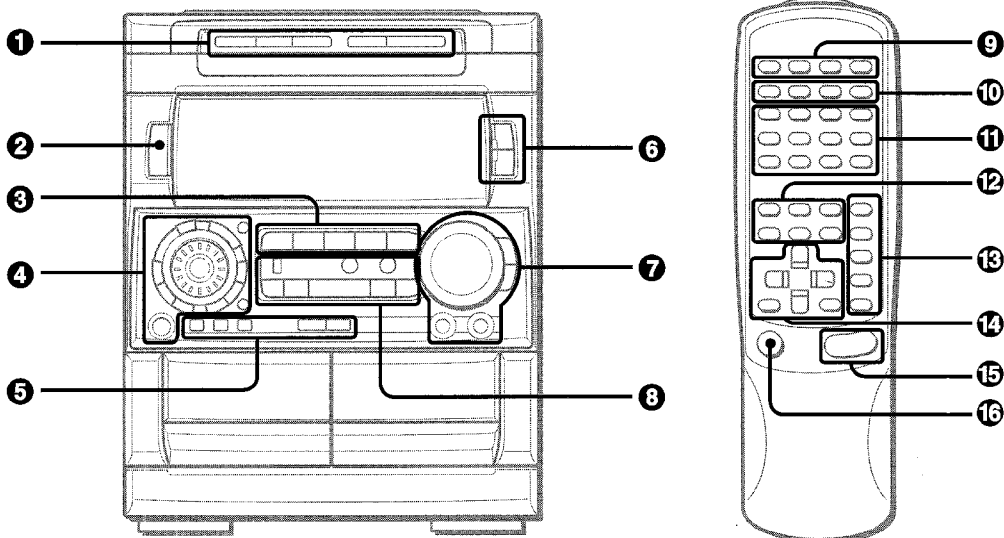
DROITS D'AUTEUR

Prière de vérifier les lois sur la propriété artistique relatives à l'enregistrement de disques, de la radio ou de cassettes dans le pays d'utilisation de l'appareil.

PARTS INDEX

INDICE DE LAS PARTES

NOMENCLATURE



Name/Nombre/Nom **Page/Página/Page**

1 DISC DIRECT PLAY1-3	15,19,20
DISC CHANGE	15
▲ OPEN/CLOSE	15
2 POWER	6,26,27,29
3 TAPE DECK1/2	13,14,18
TUNER/BAND	11,12
VIDEO/AUX/5.1CH	22,27,28
CD	15,19,20
MD	27
4 DISPLAY	6
CLOCK/TIMER	25,26
RHYTHM	7
ENTER	9,10,11,25,26
DELAY	10
SURROUND	10,11
EFFECT	10
HIGH	9
GEQ	8,9
LOW	9
PHONES	8
MULTI JOG	6-12,15,19,20,25,26
5 DOLBY NR	13,14,17-20
REV MODE(DECK2)	13,14,17
CD EDIT/CHECK	15,19,20,24
KARAOKE	23
DOLBY PRO LOGIC	21,22
6 BBE	7
T-BASS	7
7 VOLUME	7,26
ECHO	23
MIC	23
MIC1,2	23

Name/Nombre/Nom **Page/Página/Page**

8 SET	12,13,15,17,25,26
■ CLEAR	6,12-20
◀▶ DIRECTION/PRESET	6,12-16,24
◀◀ DOWN	11-16,19-22,25-28
▶▶ UP	11-16,19-22,24-28
● REC/REC MUTE	17-20
SYNC DUB	18
DEMO	6
9 TIMER	26
SLEEP	25
MONO TUNER	11
CLOCK	25
10 DISC DIRECT PLAY	15,16,19,20,24
EDIT/CHECK	15,19,20,24
PRGM	16,24
RANDOM/REPEAT	16
11 0-9,+10	12,15,16,19,20,24
▲ OPEN/CLOSE	15
12 KARAOKE	23
MANUAL SELECT	7,11,21,22,28
DOLBY PRO LOGIC	21,22
T-BASS	7
GEQ	8,9
SURROUND	10,11
13 TAPE DECK1/2	13,14,18
TUNER BAND	11,12
VIDEO/AUX	27
CD	15,19,20,24
MD	27
14 ◀▶ DIRECTION/PRESET	6,12-16,24
◀◀/▶▶ DOWN	11-16,19-22,25-28
▶▶/◀◀ UP	11-16,19-22,24-28
■ CLEAR	6,12-20
●/○ REC/REC MUTE	17-20
 SET	12,13,15,17,25,26
15 VOLUME(∧,∨)	7,26
16 POWER	6,26,27

For assistance and information

call toll free 1-800-BUY-AIWA (United States and Puerto Rico)